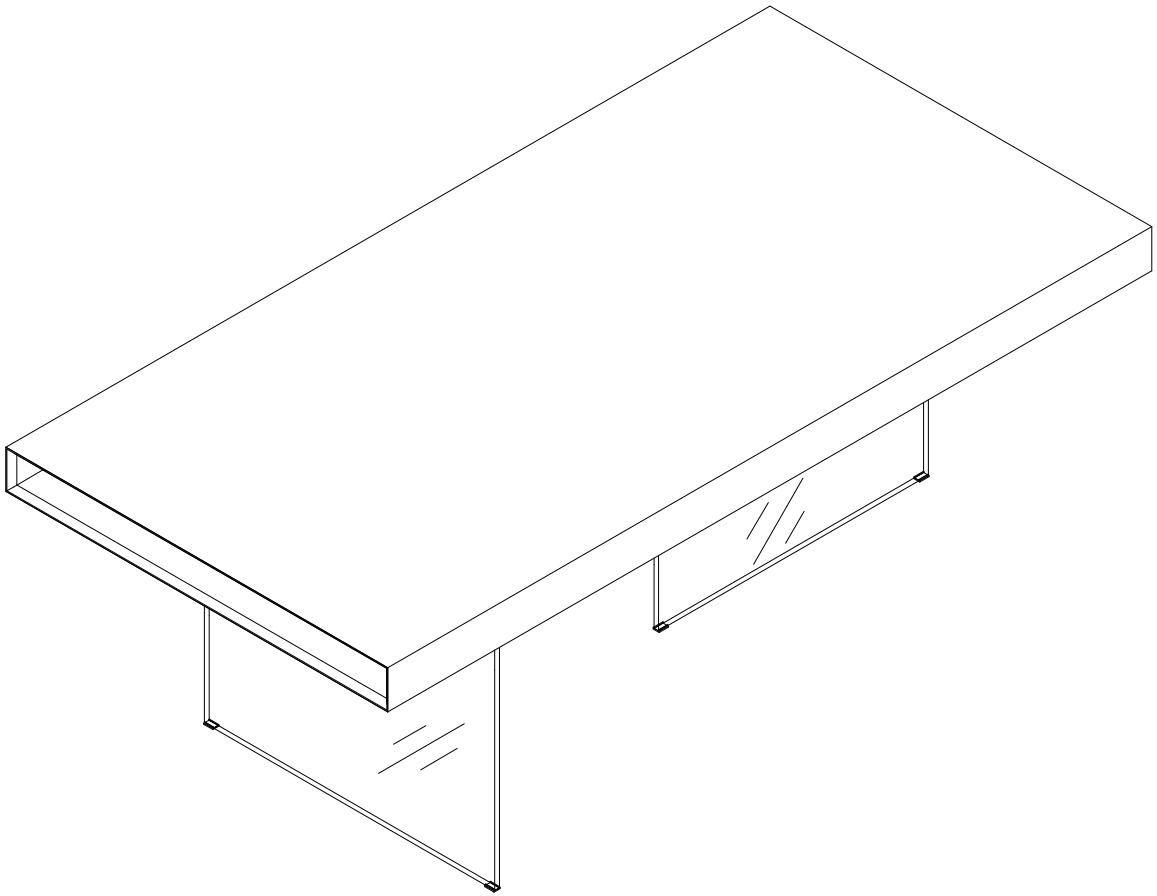
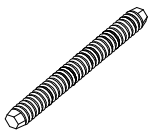
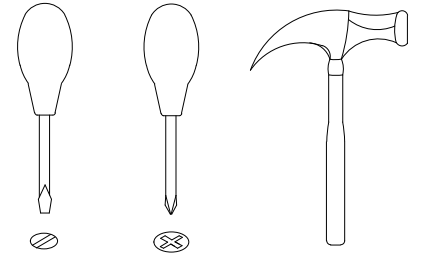
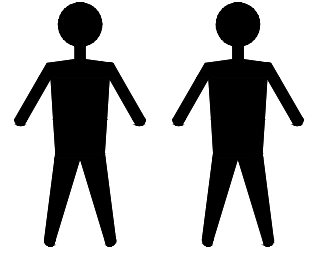


CP1803D



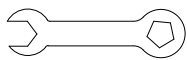
CP1803D



A x16
Spec: M8*L95



B x32
Spec: M8



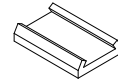
C x2
Spec: 14#



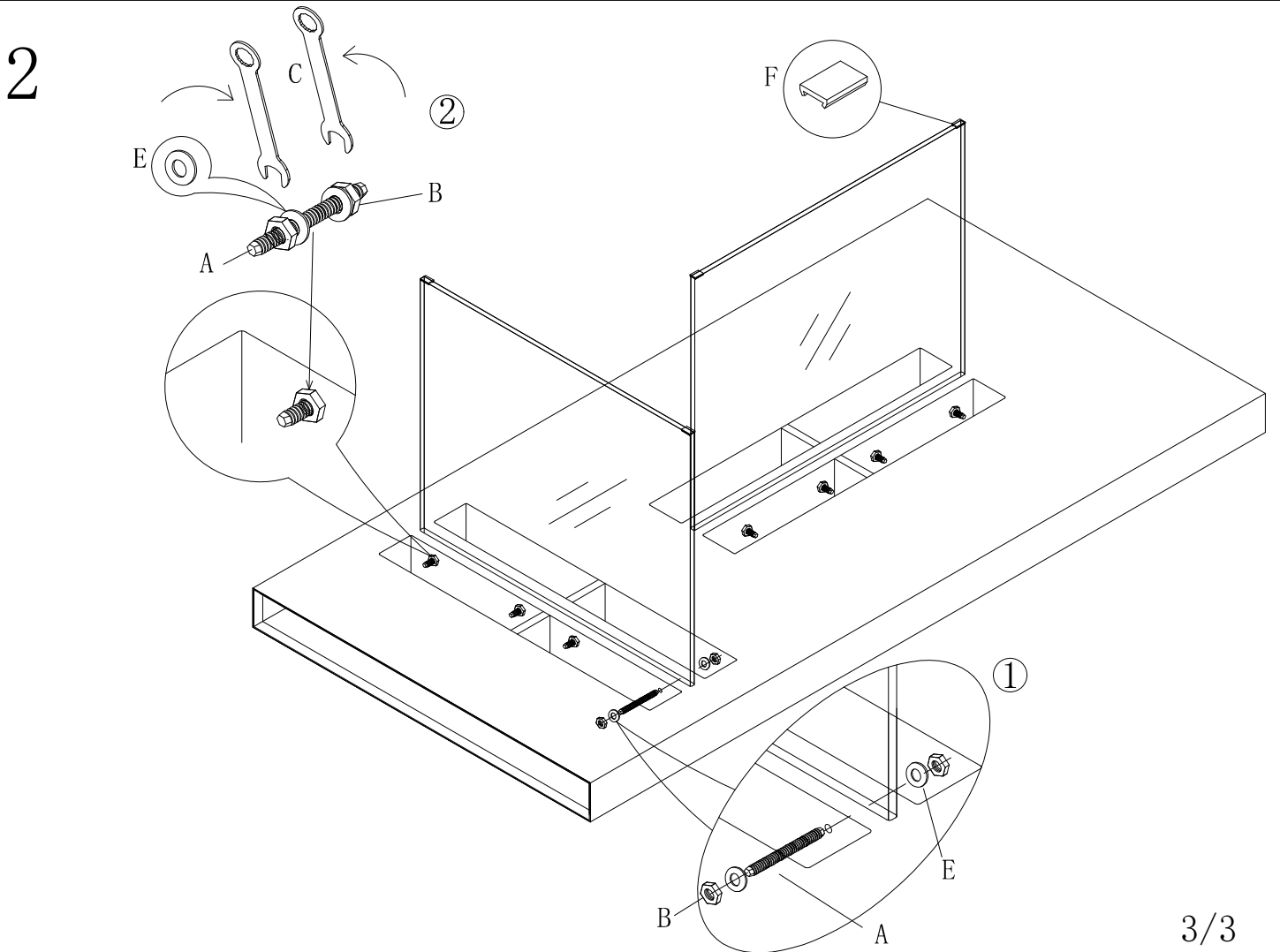
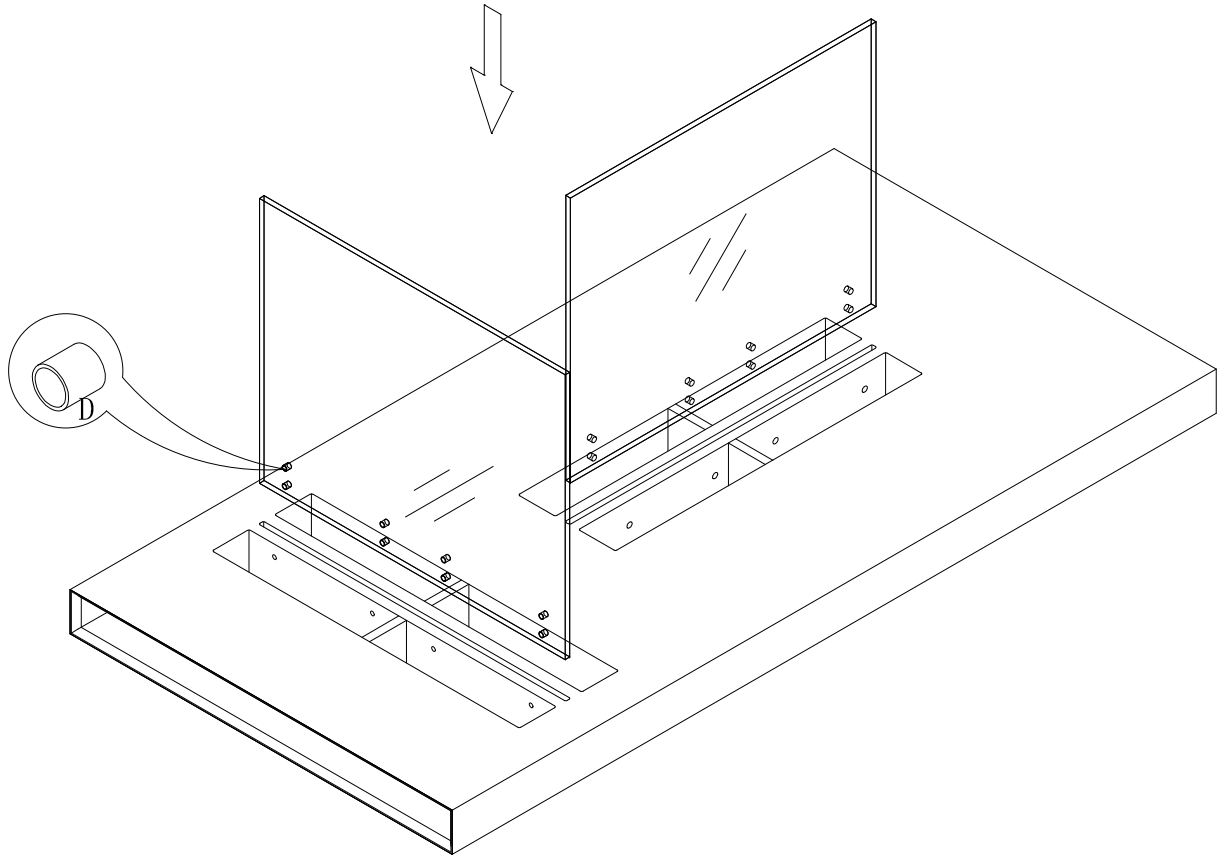
D x16
Spec: 12* Φ 11.8



E x32
Spec: Φ 8* Φ 18



F x4
Spec:



Adjustable Method

