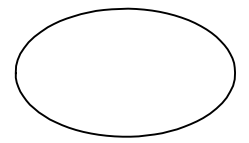
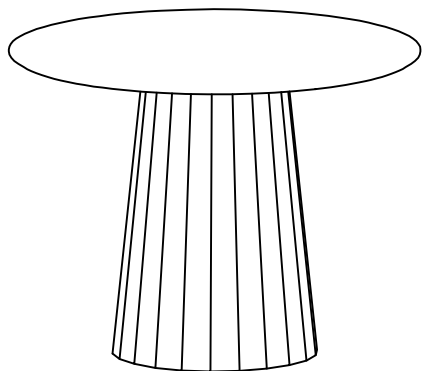
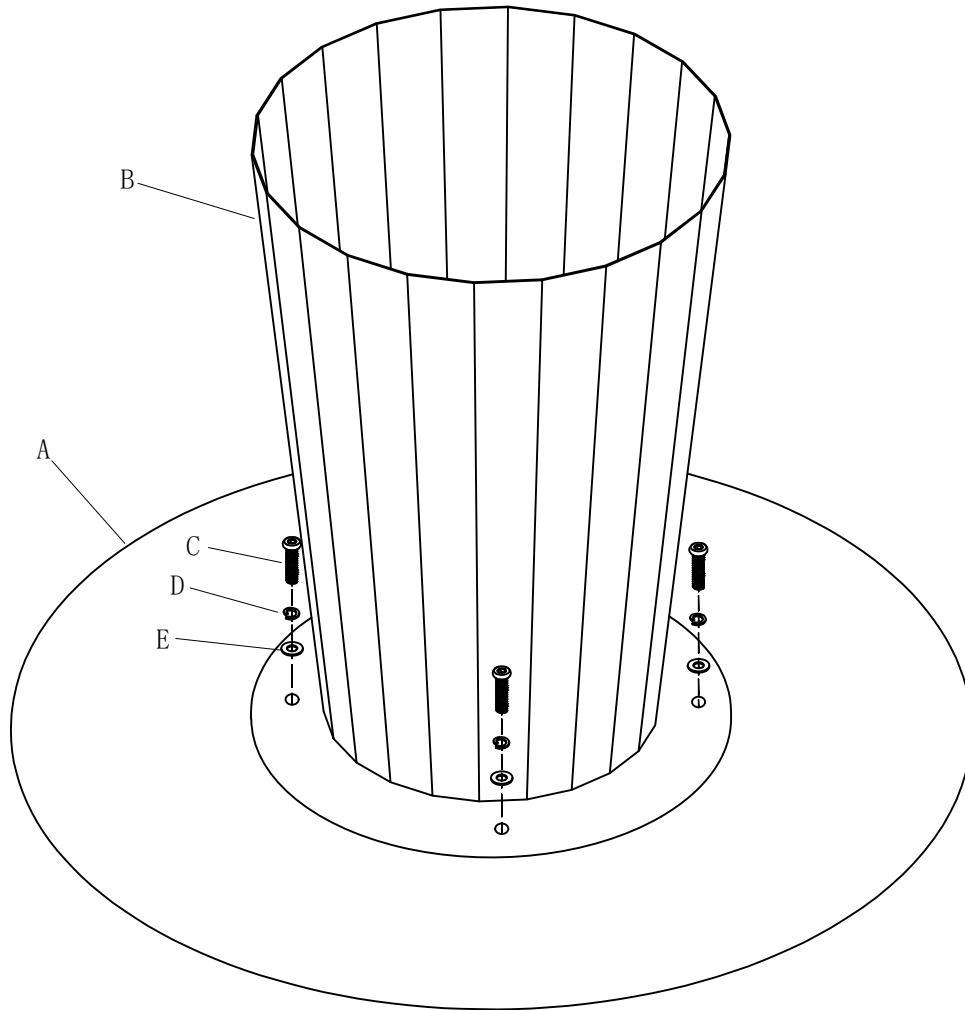
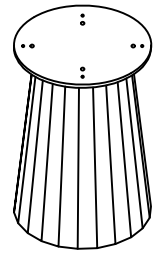


Assembly Instruction

GT-502



A 1pc



B 1pc



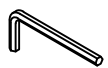
C M6*30 4pcs



D $\phi 10+M6$ 4pcs



E $\phi 12+M6$ 4pcs



F M6 1pc