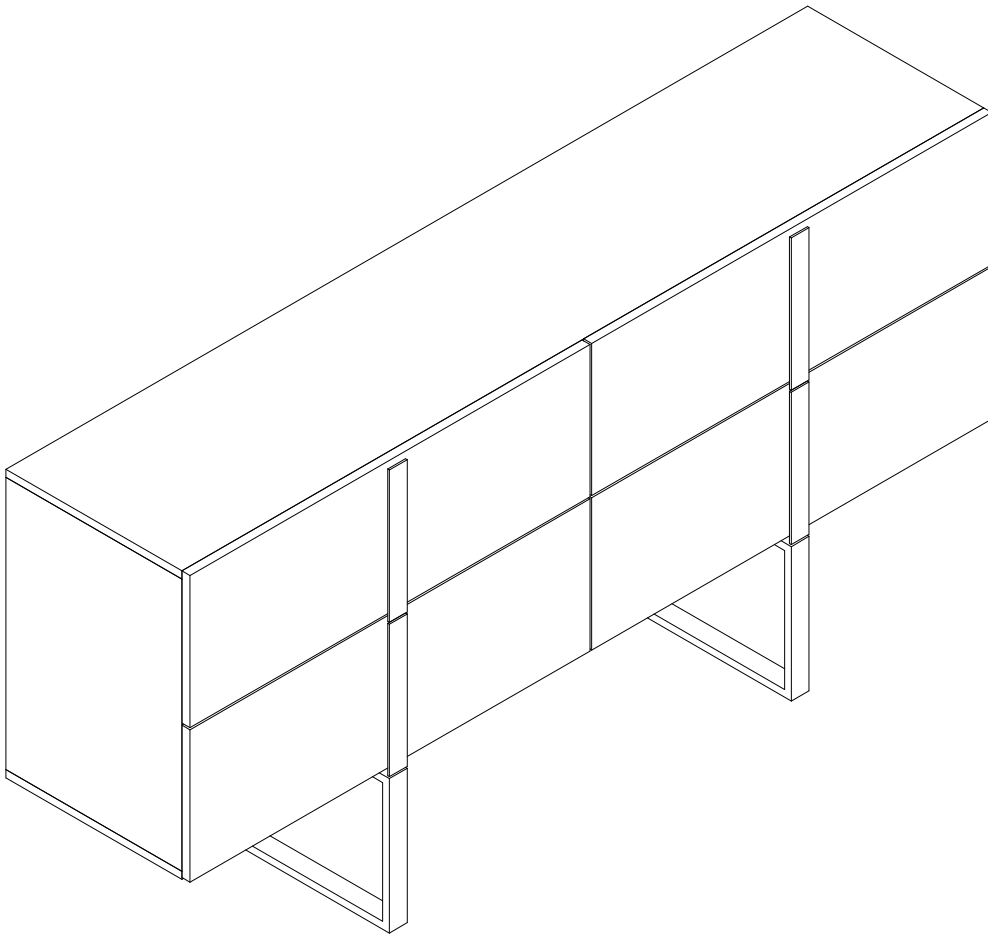
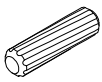
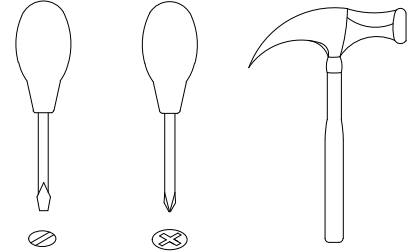
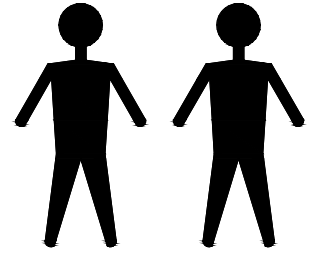


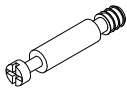
# CP1706E5



# # CP1706E5



A x36  
Spec:  $\varnothing 8 \times 30$



B x26  
Spec:  $\varnothing 7 \times L30$



C x40  
Spec:  $\varnothing 15 \times H12$



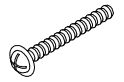
D x24  
Spec:  $\varnothing 6 \times L28$



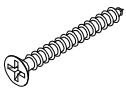
E x24  
Spec:  $\varnothing 12 \times H9$



F x24  
Spec:  $\varnothing 6 \times L8$



G x8  
Spec: M4\*L21



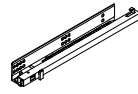
H x16  
Spec:  $\varnothing 3.5 \times L35$



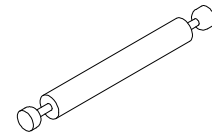
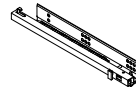
I x48  
Spec:  $\varnothing 6 \times 30$



J x2  
Spec: 10g



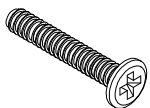
K x4  
Spec: L350



L x7  
Spec:  $\varnothing 7 \times L66$



M x64  
Spec:



N x10  
Spec: M6\*50



O x6  
Spec: M6\*25



P x8  
Spec: M6\*15



Q x24  
Spec:  $\varnothing 8 \times \varnothing 18$



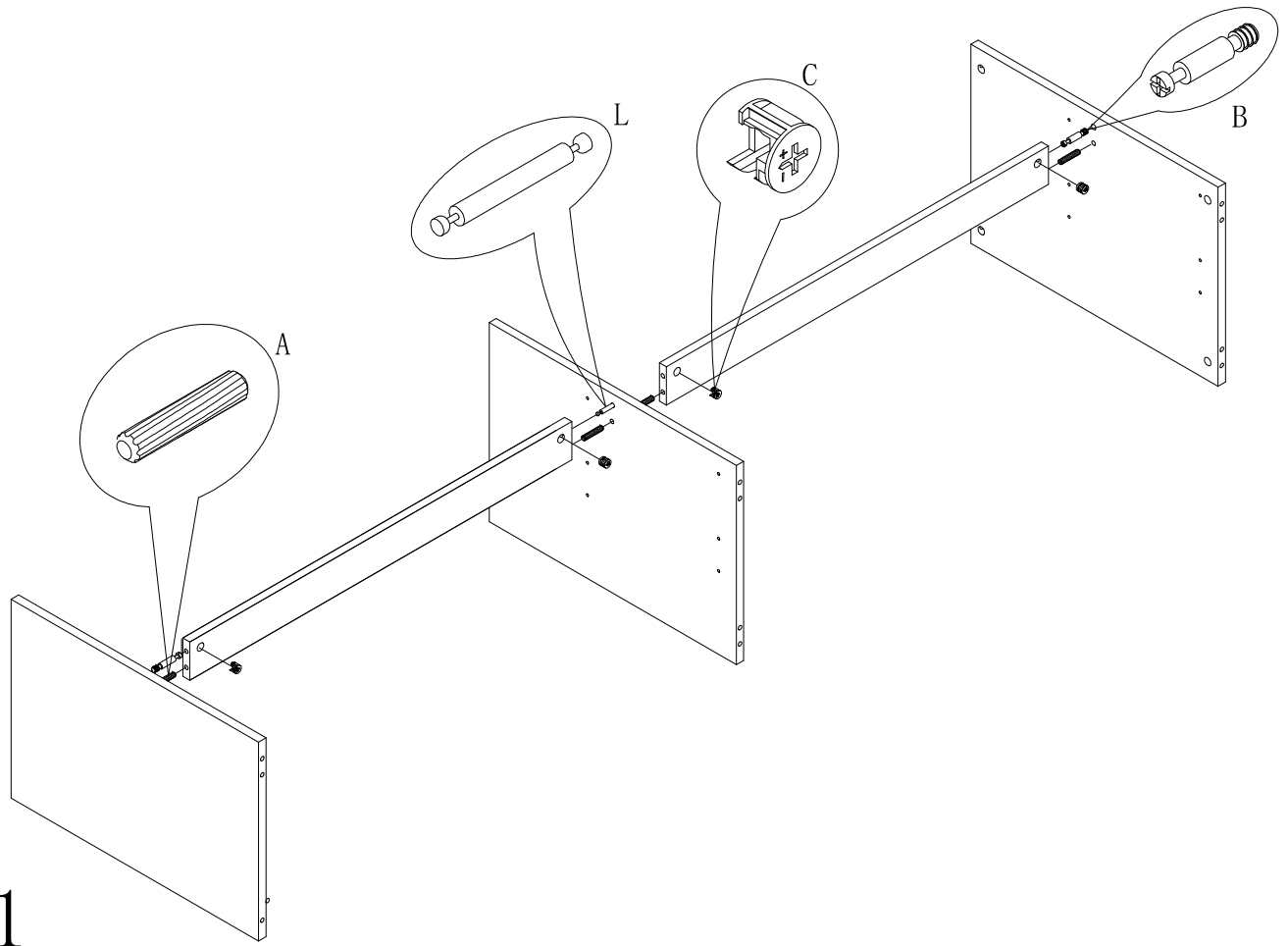
R x4  
Spec: 38\*38



S x1  
Spec:

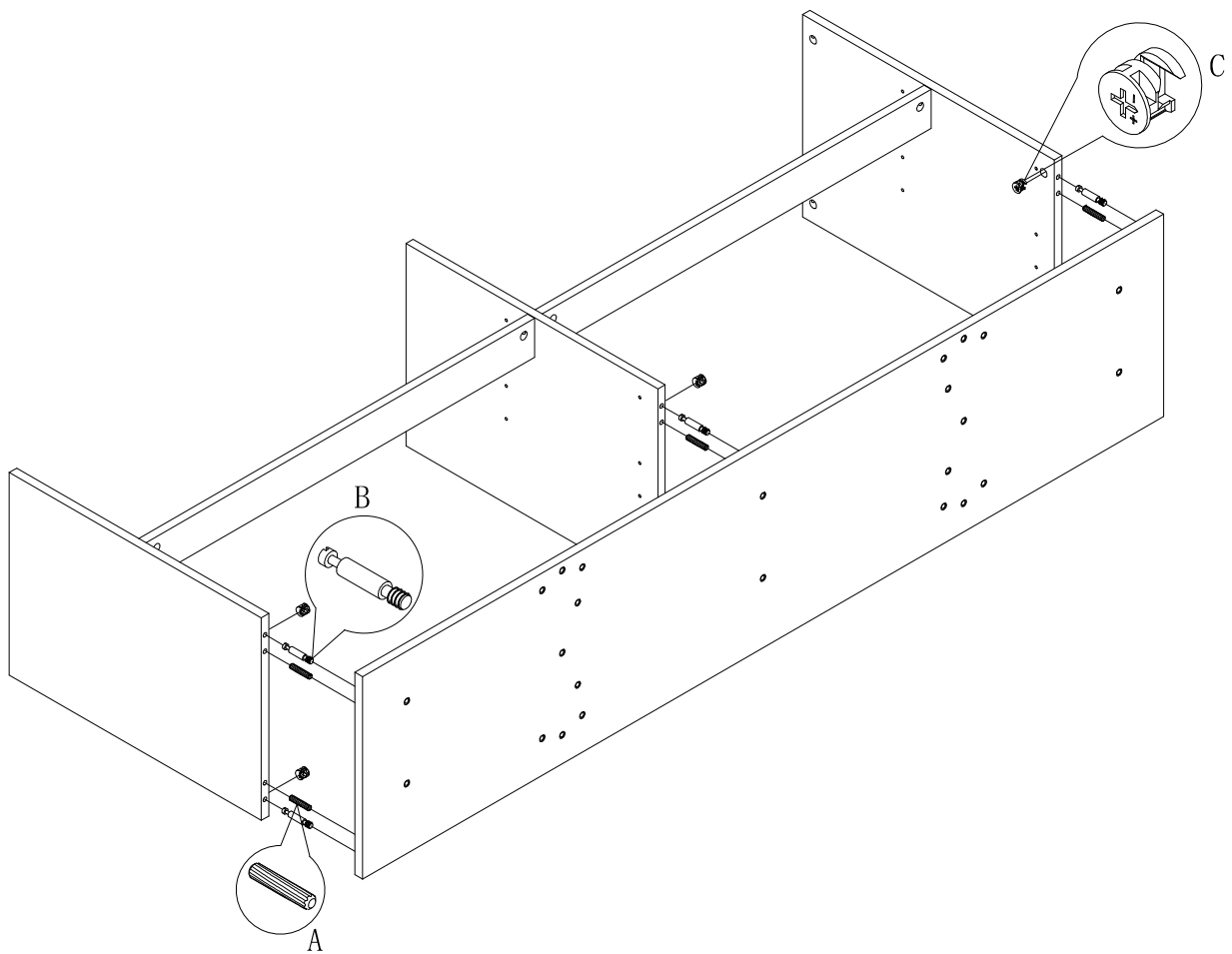


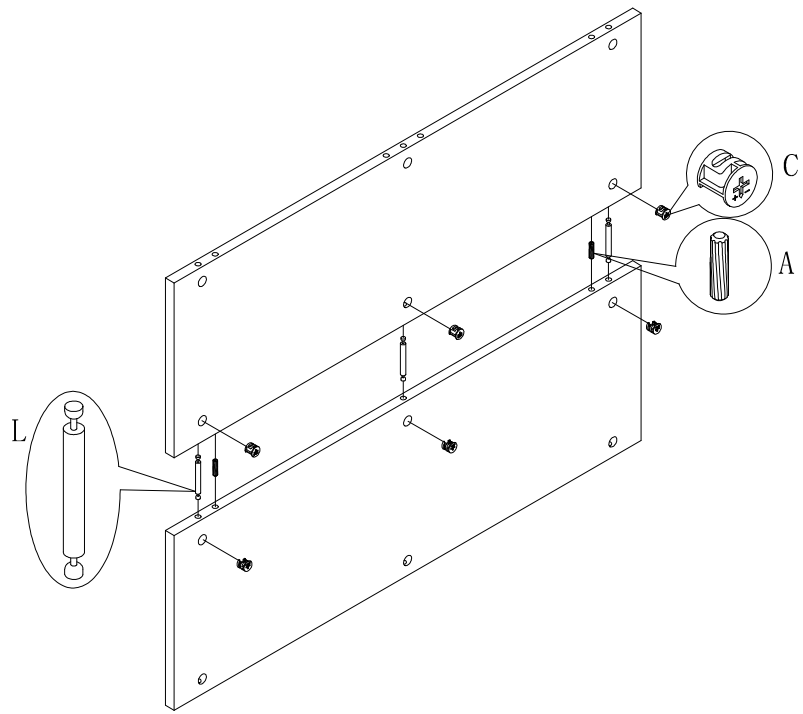
AAA x16  
Spec:  $\varnothing 3.8 \times L12$



1

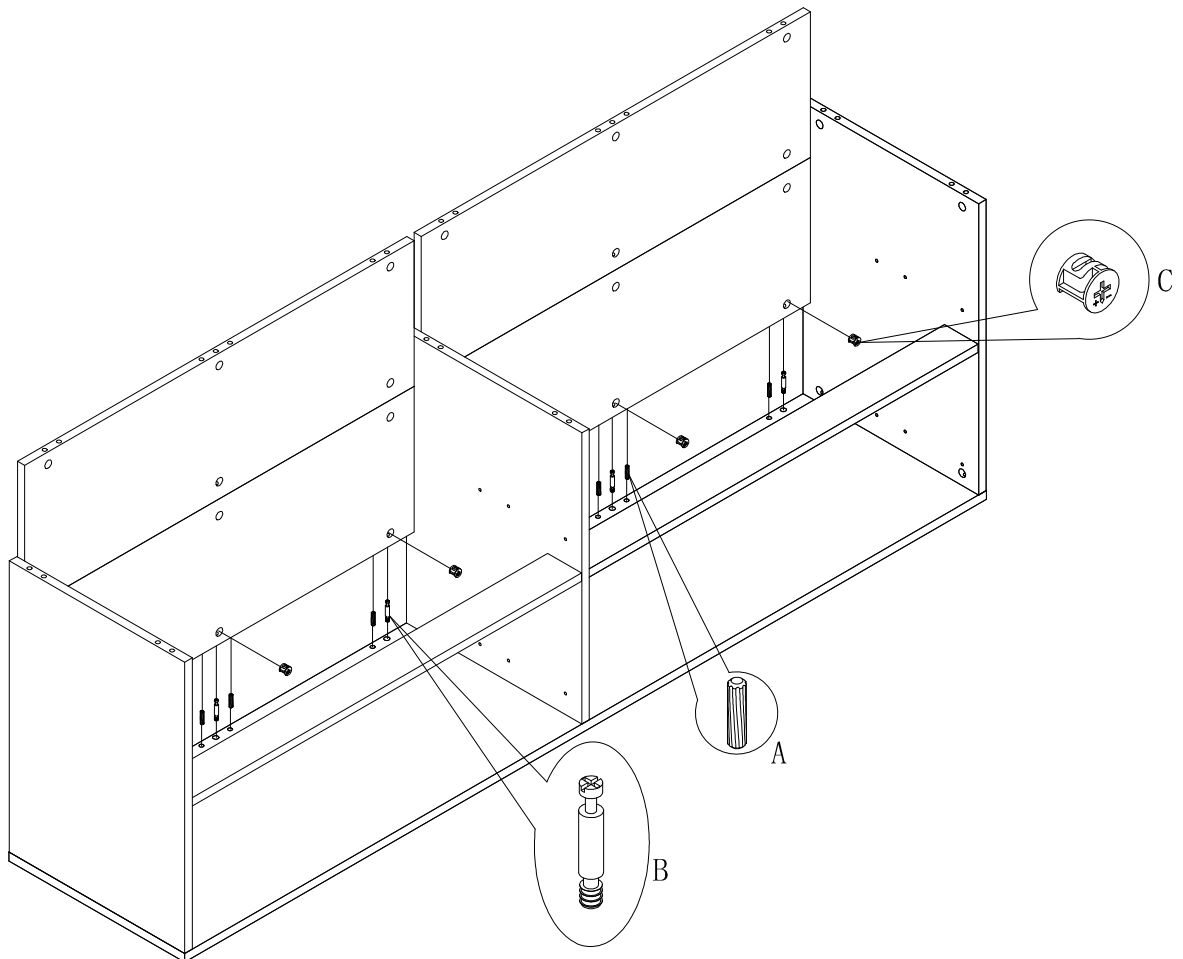
2

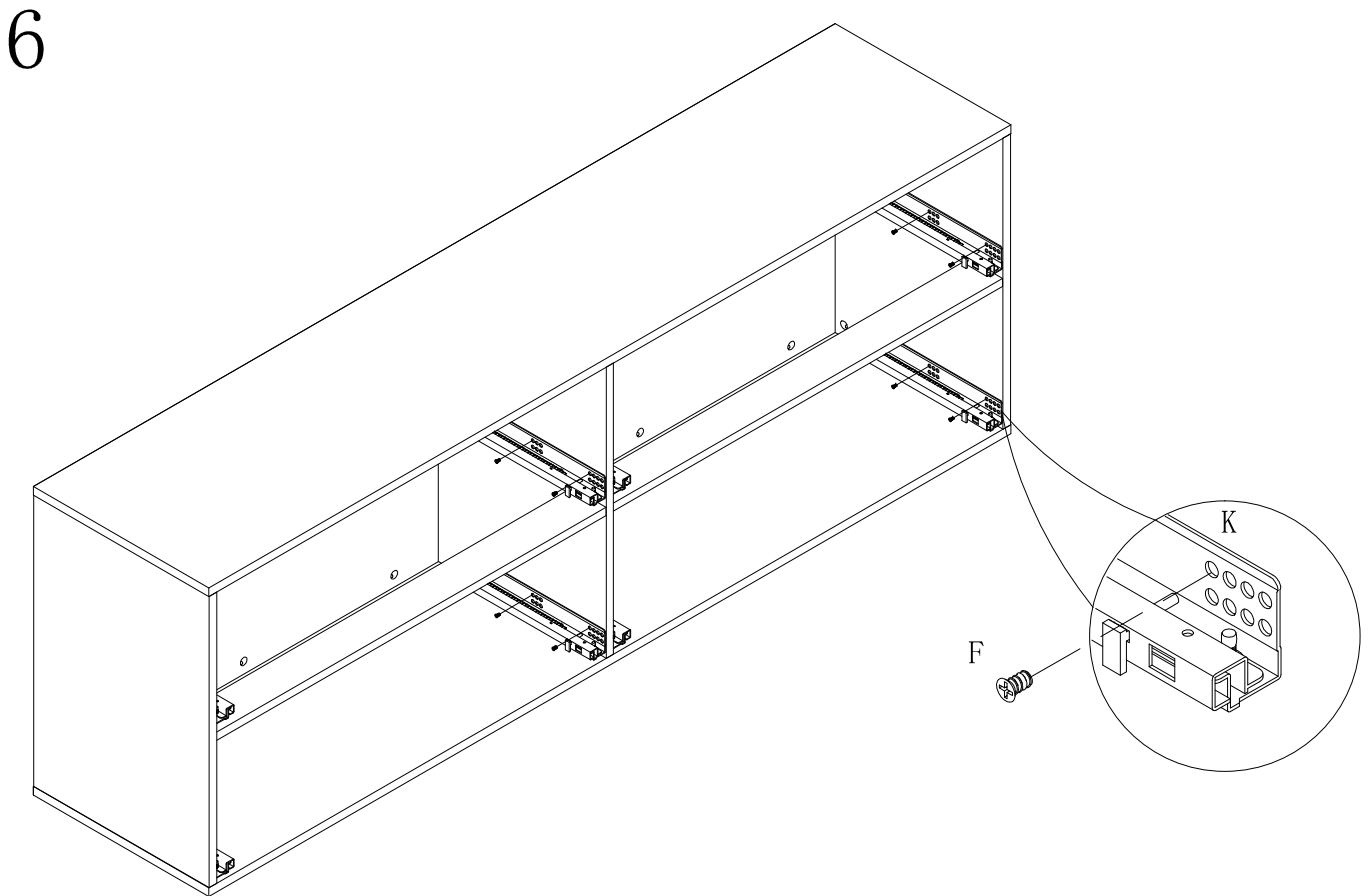
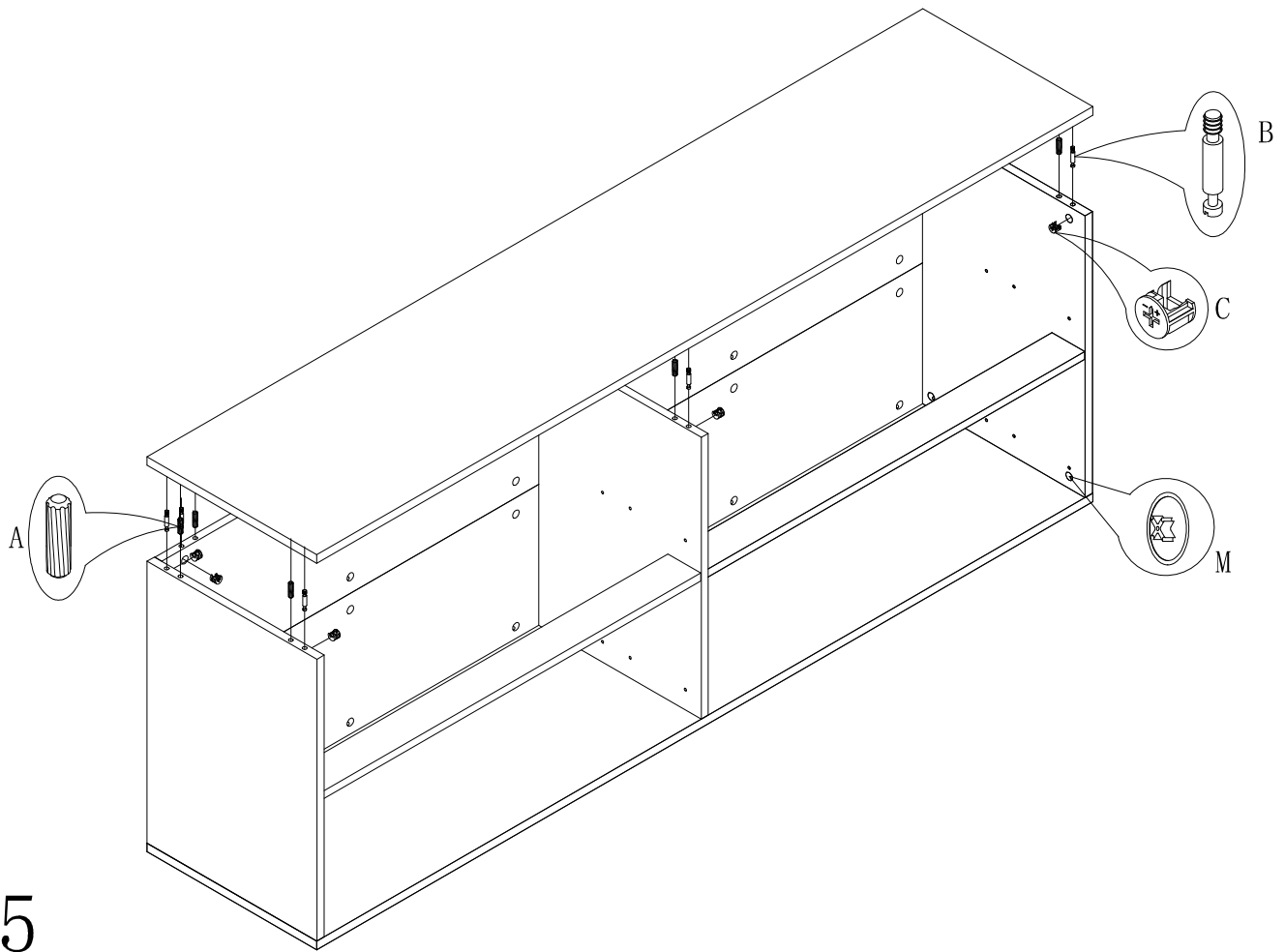


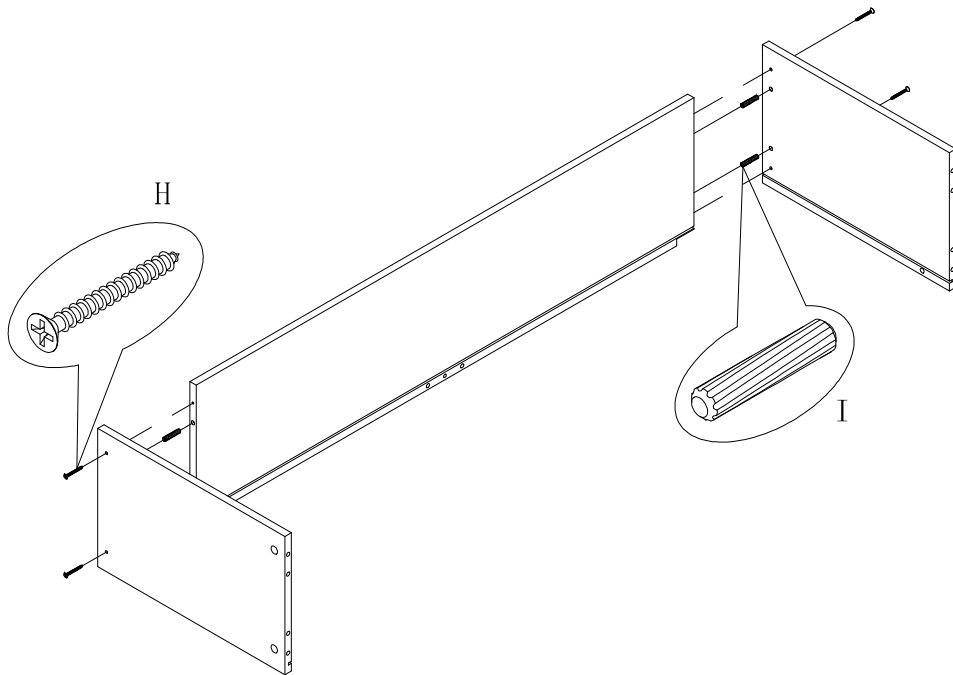


3

4

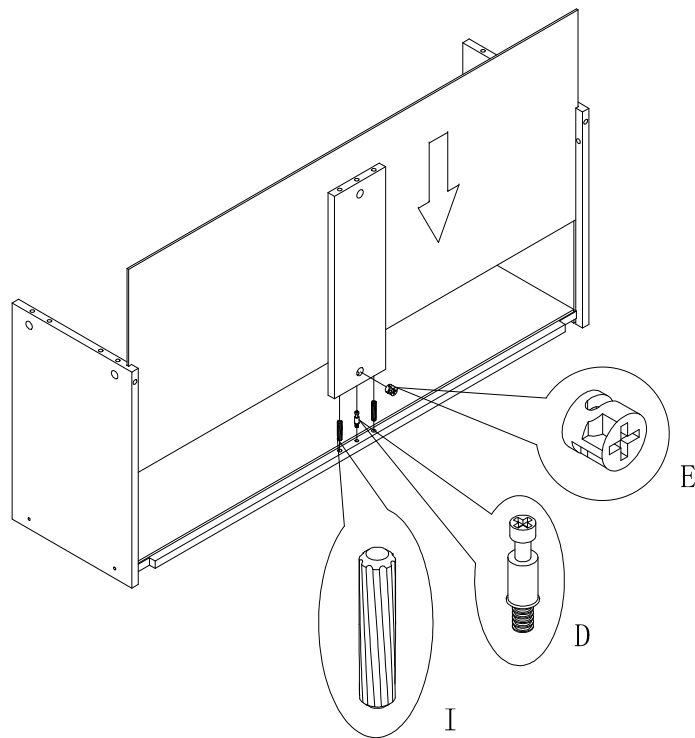


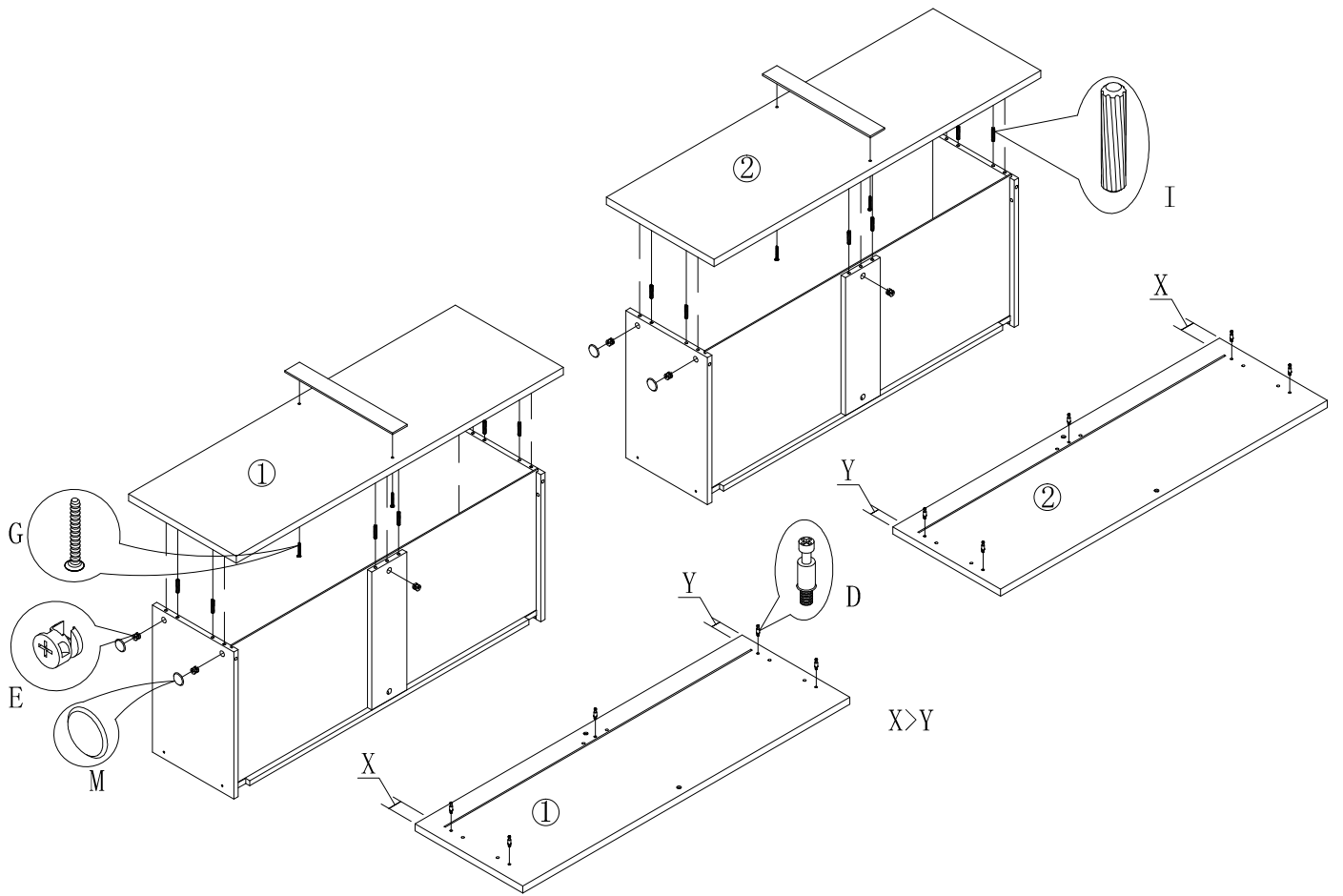




7

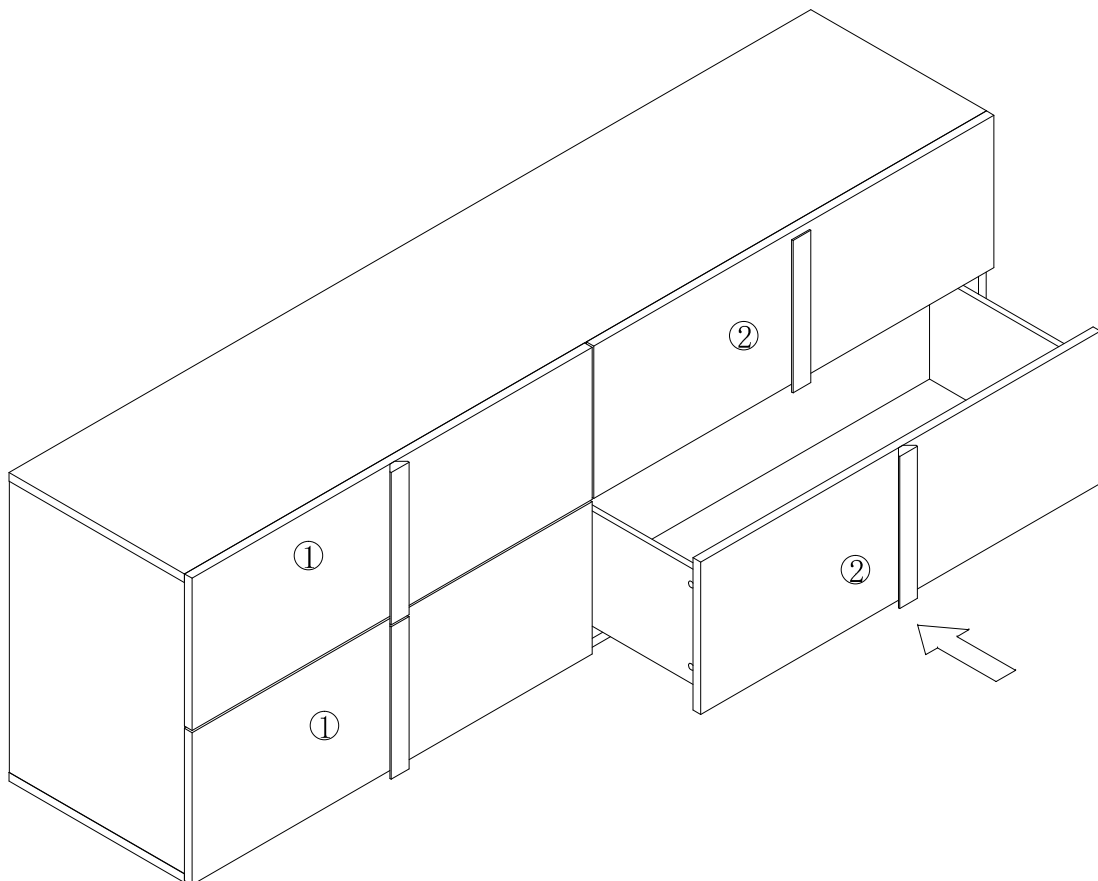
8

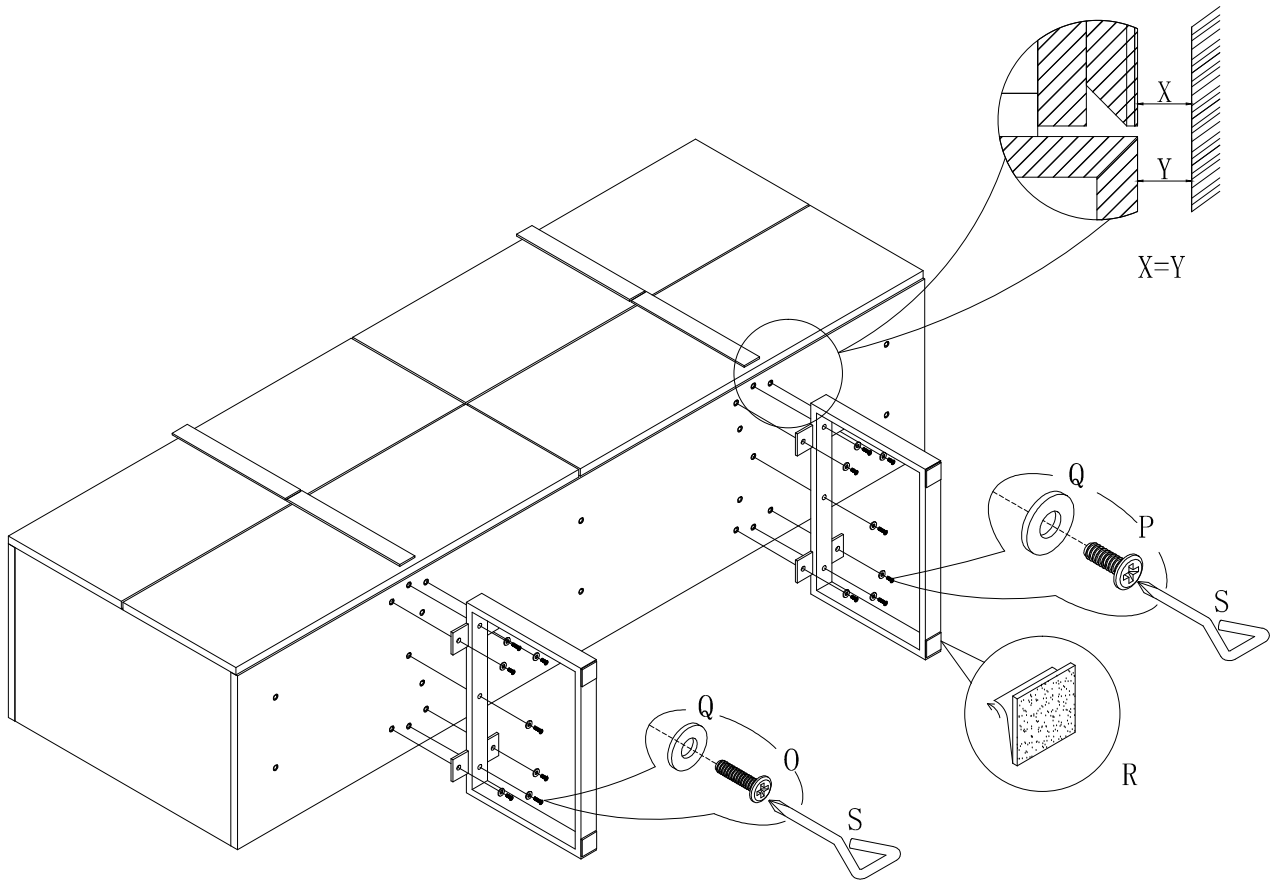




9

10





11

12

