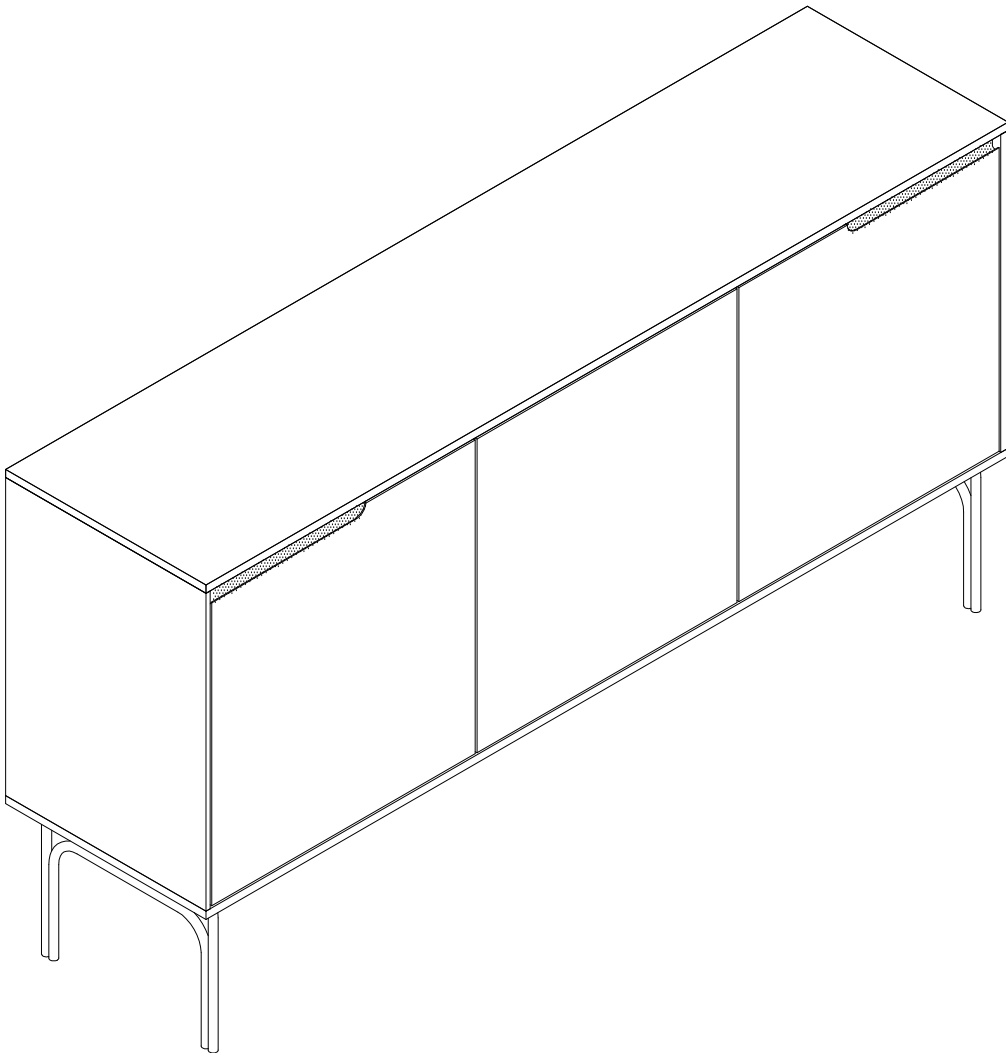
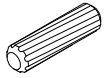
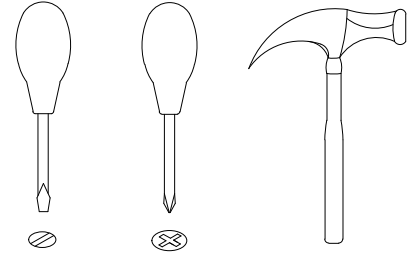
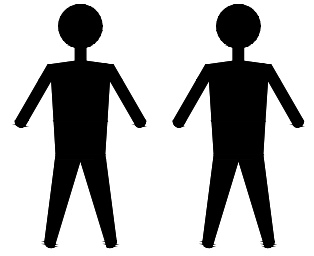


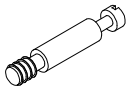
CP1708E



CP1708E



A x12
Spec: $\phi 8 \times 30$



B x12
Spec: $\phi 7 \times L30$



C x12
Spec: $\phi 15 \times H12$



D x18
Spec: $3.8 \times L16$



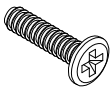
E x14
Spec: $\phi 3.5 \times L16$



F x14
Spec: H13



G x1
Spec: 10g



H x12
Spec: M6*15



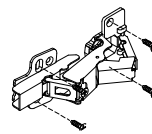
I x12
Spec: $\phi 8 \times \phi 14$



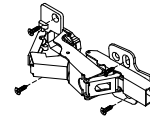
J x8
Spec: $\phi 5 \times L19$



K x8
Spec: $\phi 20 \times H12$



L x3
Spec: 088#



M x6
Spec: 078#



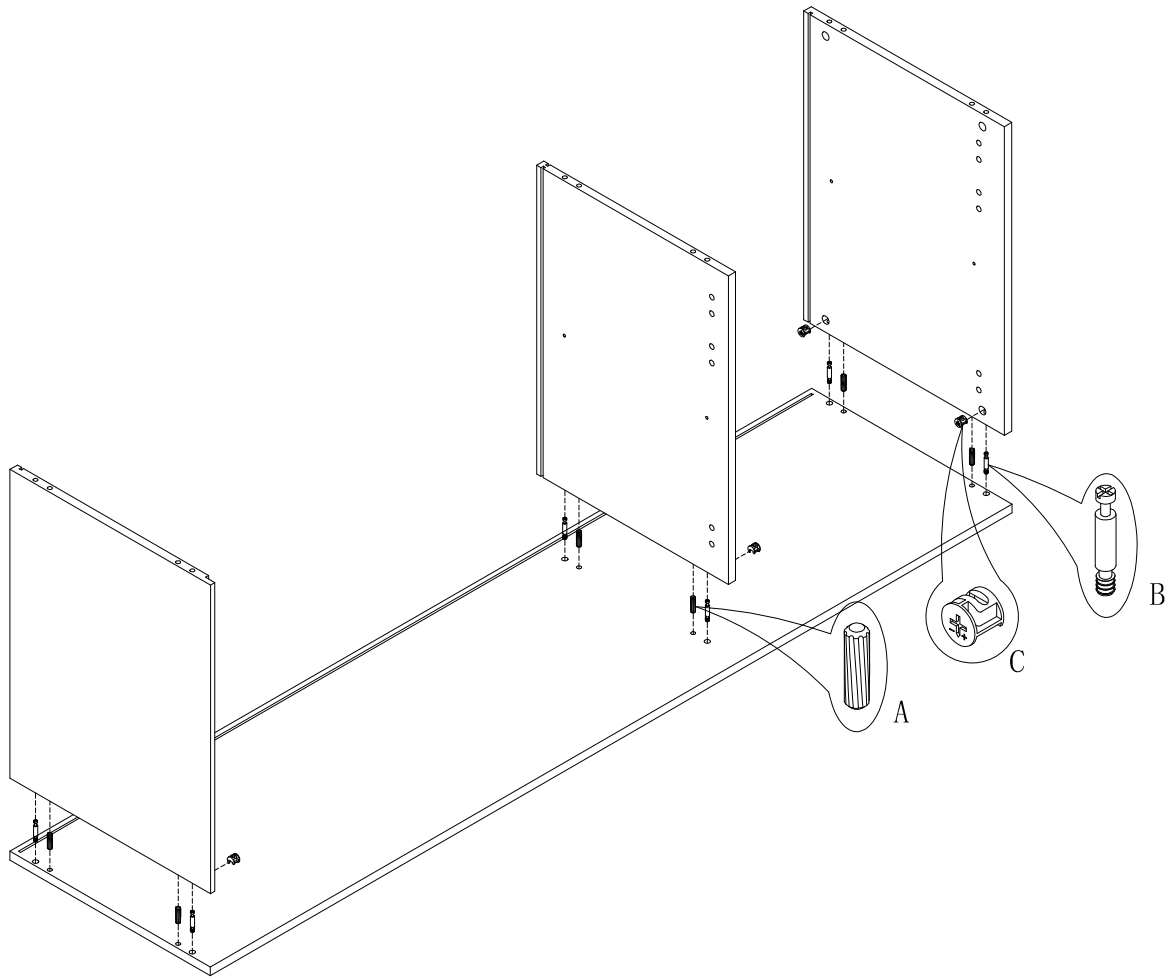
N x12
Spec:



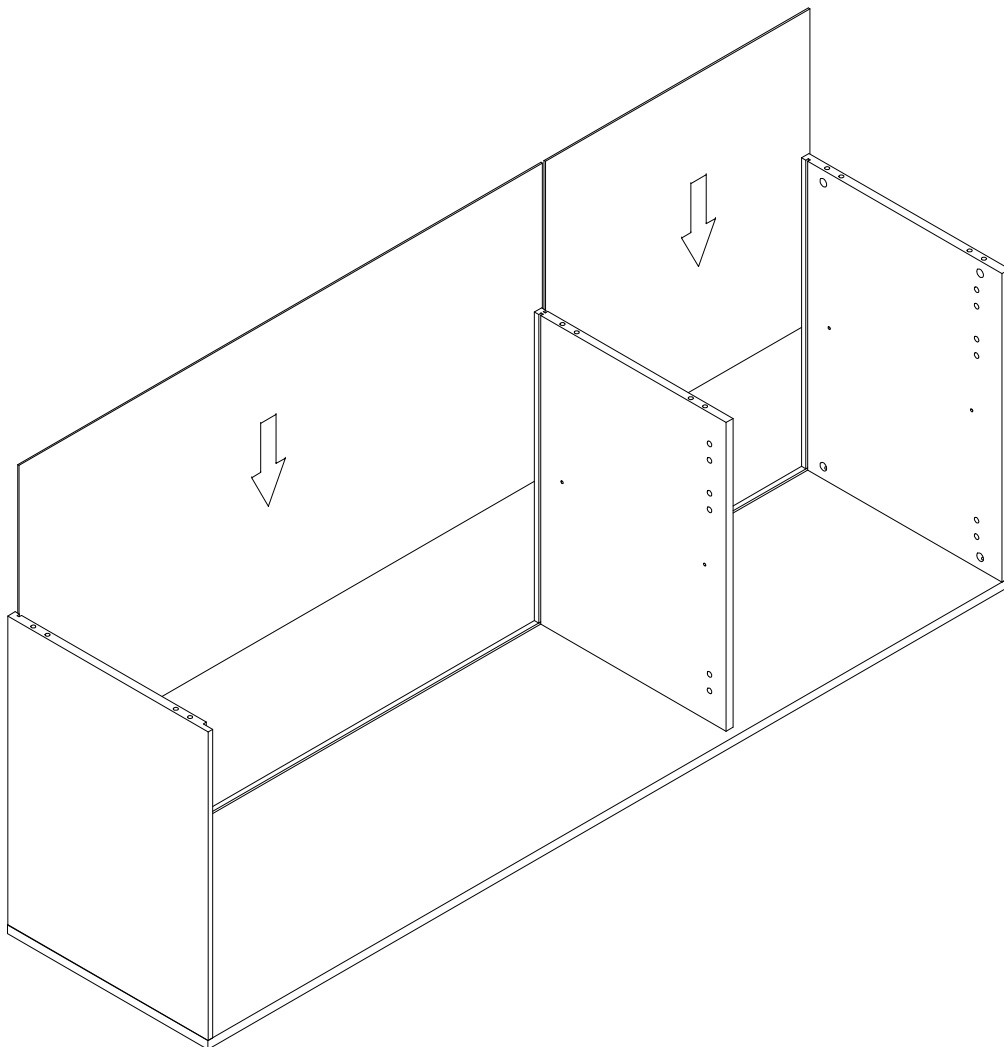
O x8
Spec: $\phi 15$

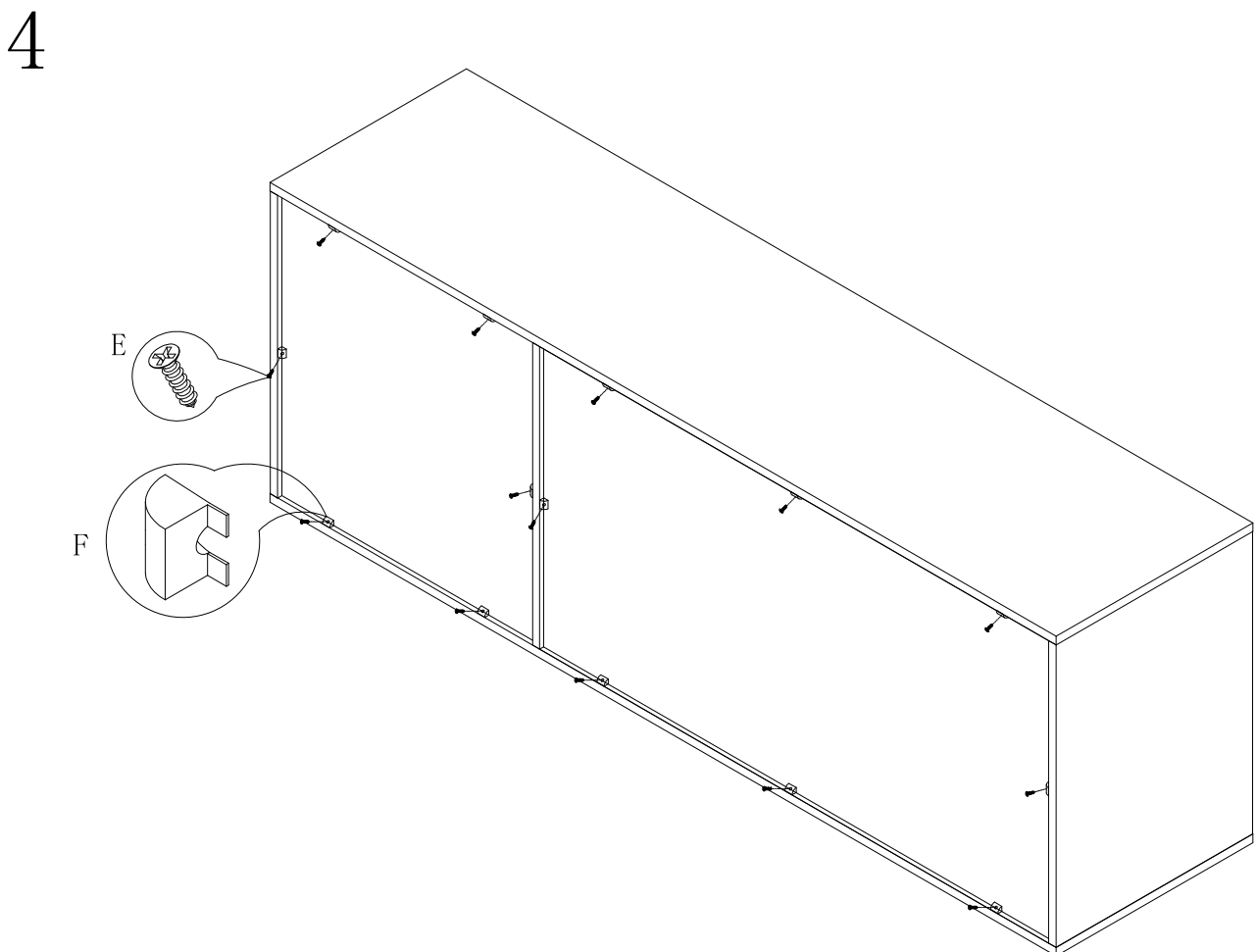
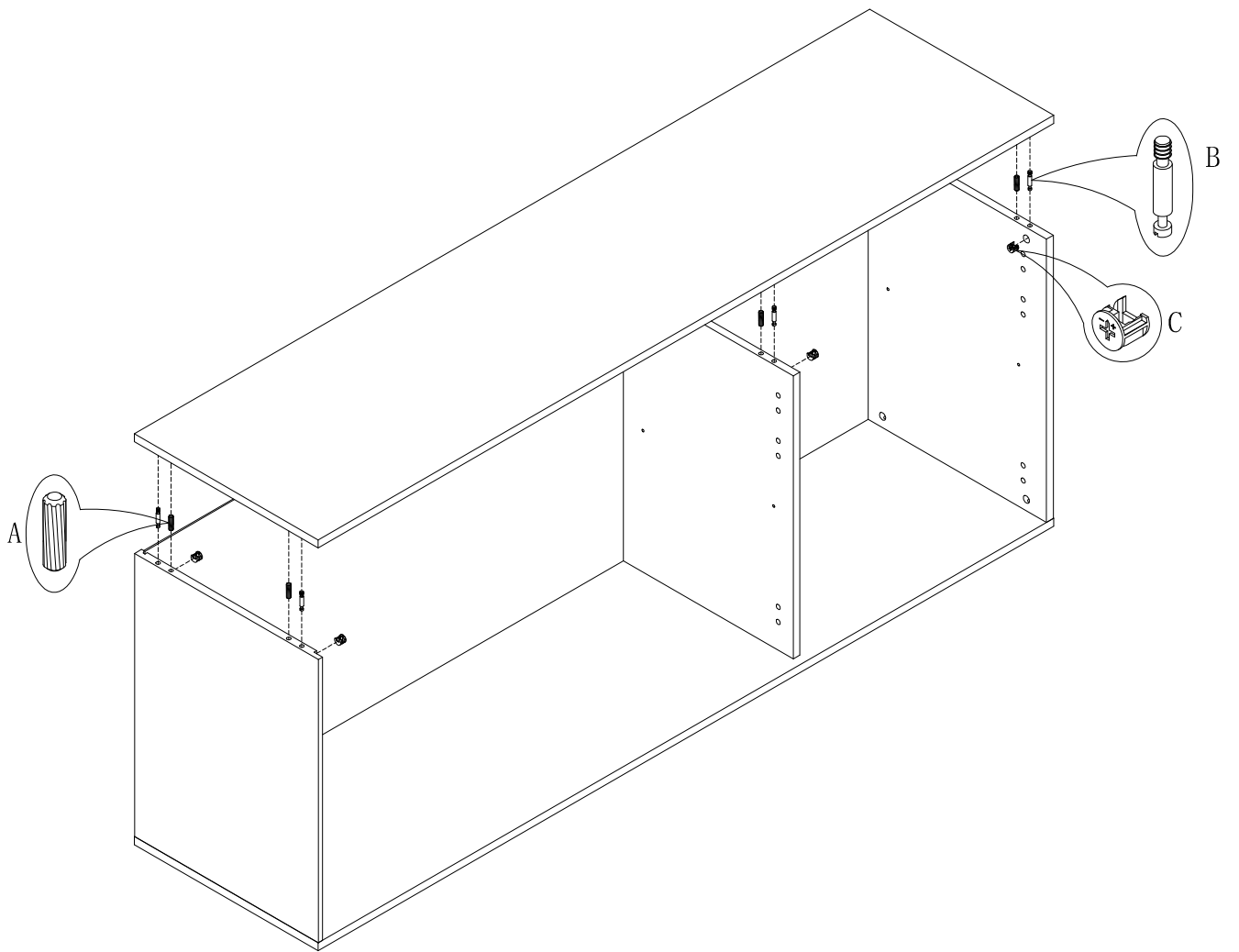


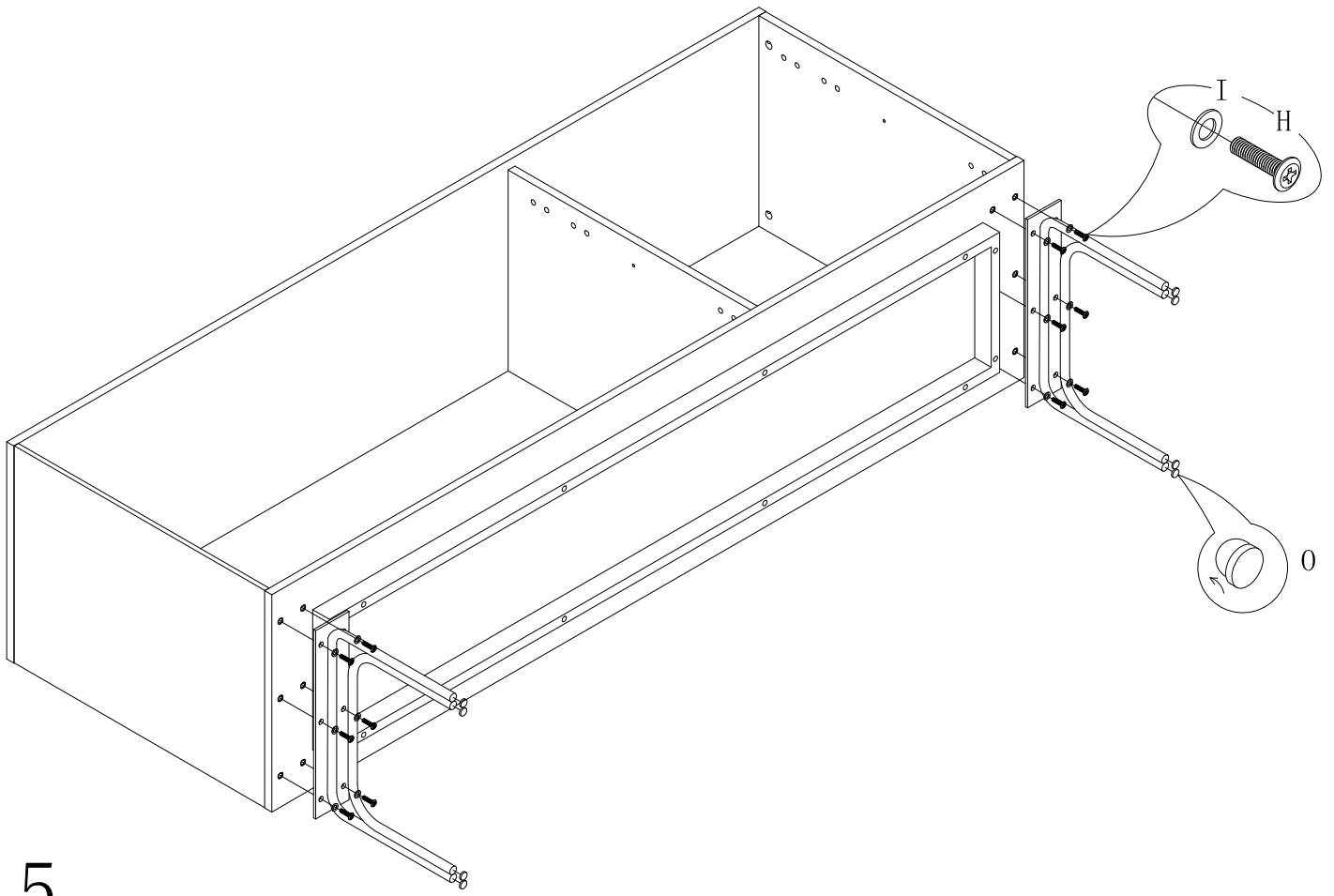
P x2
Spec: $\phi 10 \times H1$



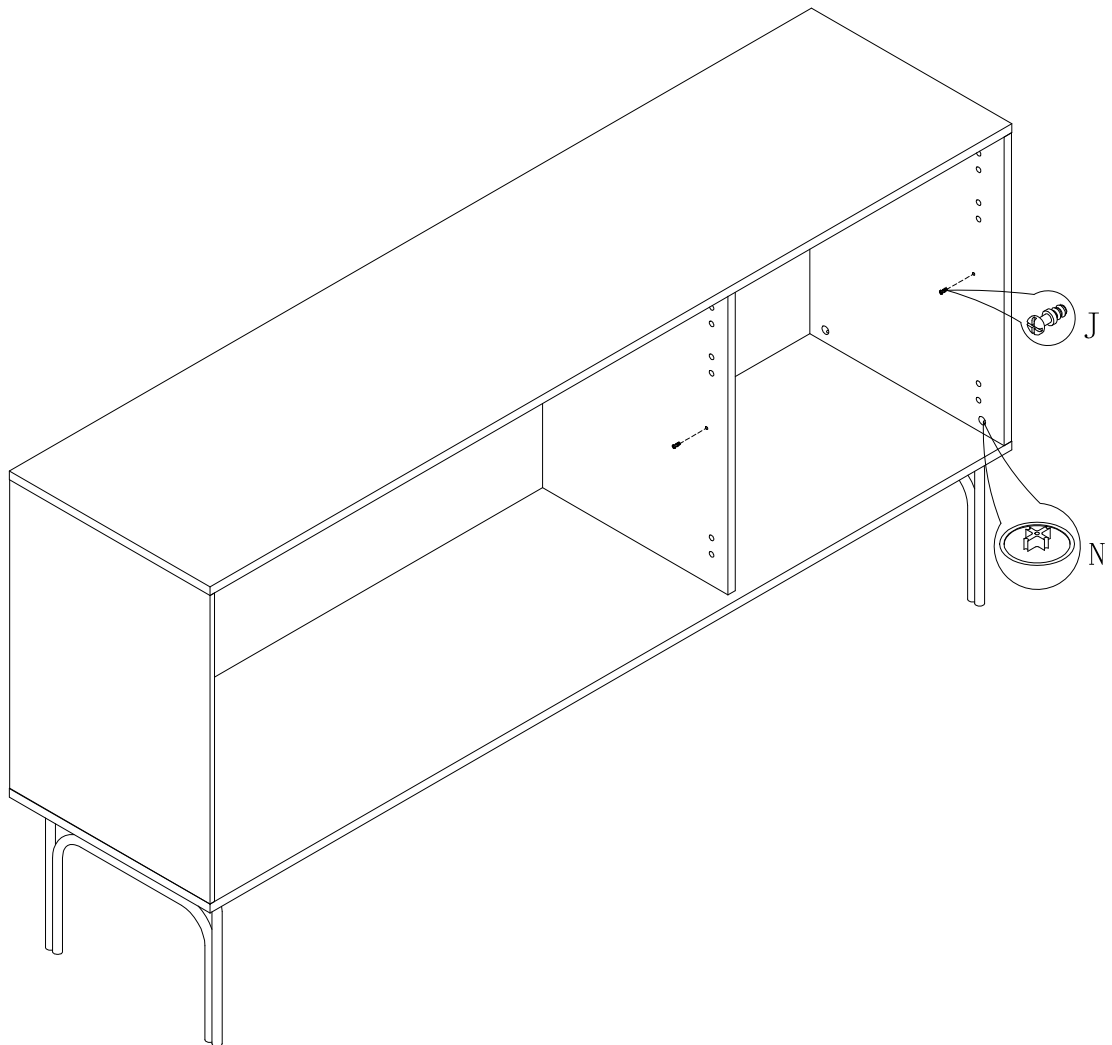
2



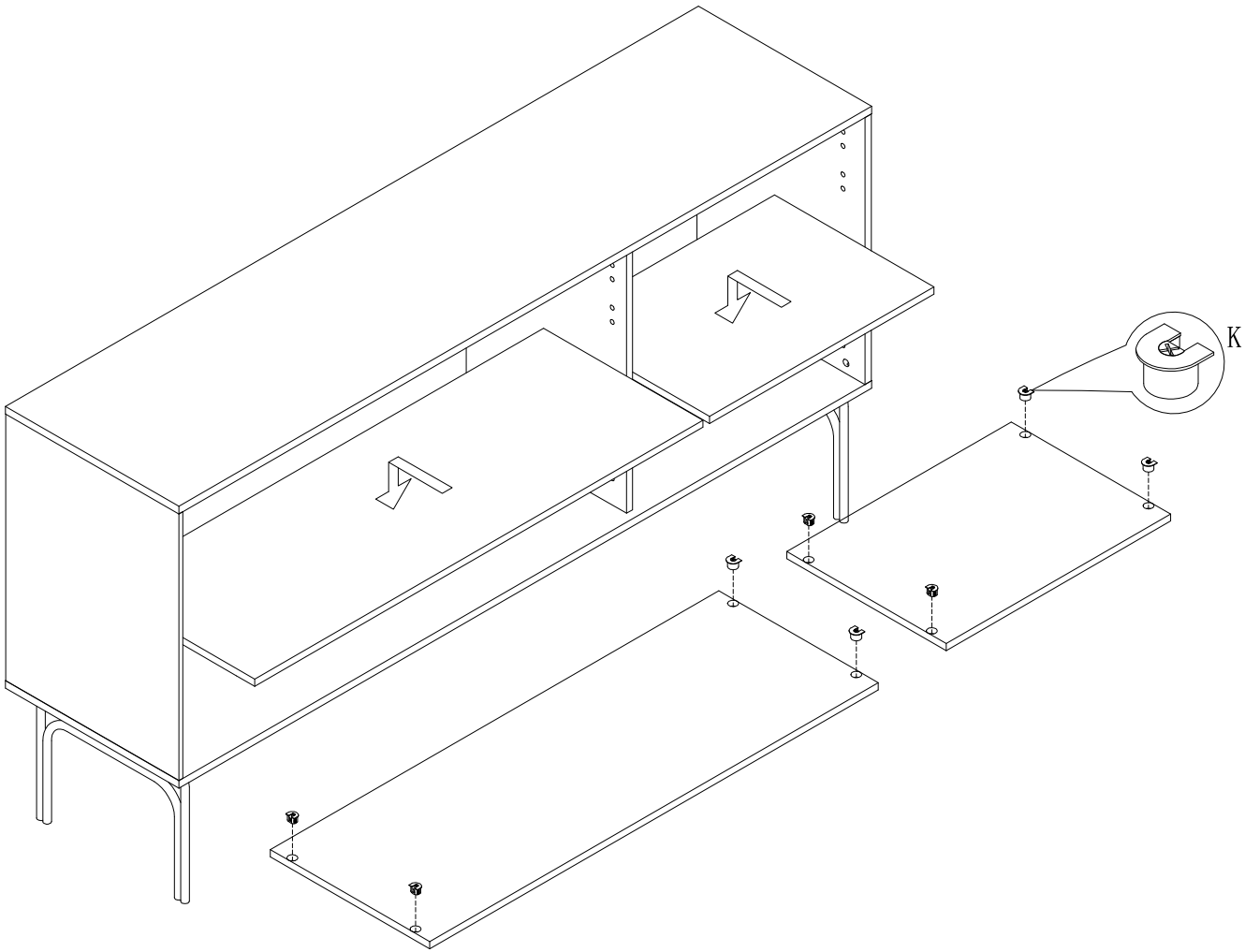




6



7



8

