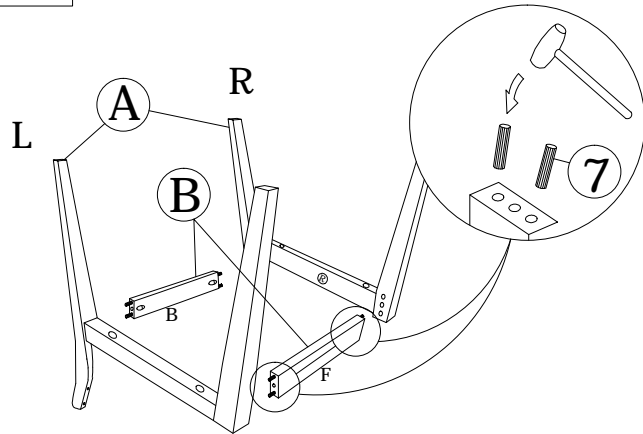


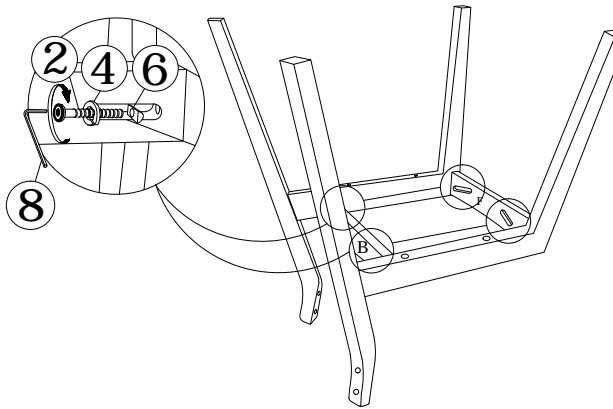
ASSEMBLY INSTRUCTION

DINING CHAIR

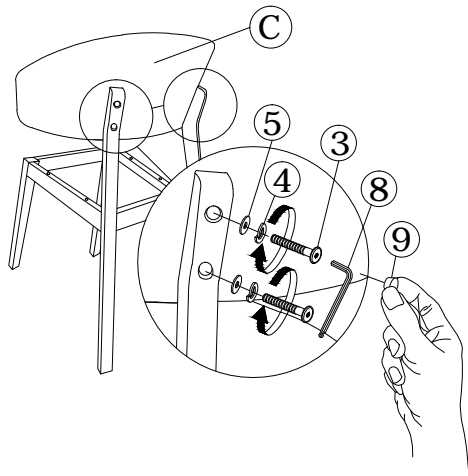
STEP 1



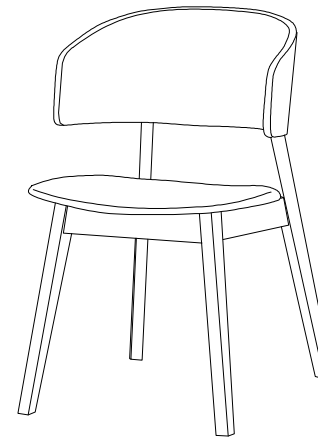
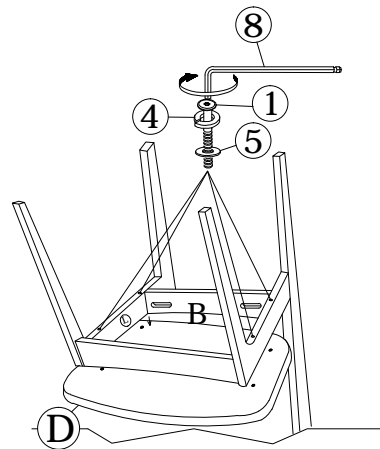
STEP 2



STEP 3



STEP 4



COMPLETED CHAIR ASSEMBLY

Read instructions carefully. Remove all wrapping material, staples and straws from the carton. See hardware and furniture part list for guidance. Be sure you have all parts before you start assembling. Place all wooden furniture part a clean and flat soft surface, such as carpet or rug to prevent from being scratched.

CAUTION :

KEEP ALL HARDWARE PART OUT OF REACH OF CHILDREN

HARDWARE LIST		
ITEM	DESCRIPTION	QTY
1	JCBC BOLT M6 X 70MM (RB)	4 PCS
2	JCBC BOLT M6 X 50MM (RB)	4 PCS
3	JCBC BOLT M6 X 30MM (RB)	4 PCS
4	SPRING WASHER 5/16" (RB)	12 PCS
5	FLAT WASHER M6 X 13MM (RB)	8 PCS
6	SCREW PIN 15x15MM	4 PCS
7	WOOD DOWEL M10 X 30MM	8 PCS
8	ALLEN KEY M4 (BALL SHAPE)	1 PC
9	WOOD BUTTON (BIG)	4 PCS

PART LIST		
ITEM	DESCRIPTION	QTY
A	CHAIR LEG (L&R)	2 PCS
B	CENTER STRECHER (F&B)	2 PCS
C	BACK REST	1 PC
D	CHAIR SEAT	1 PC