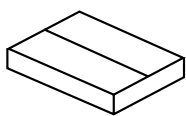
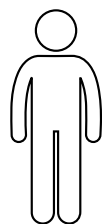


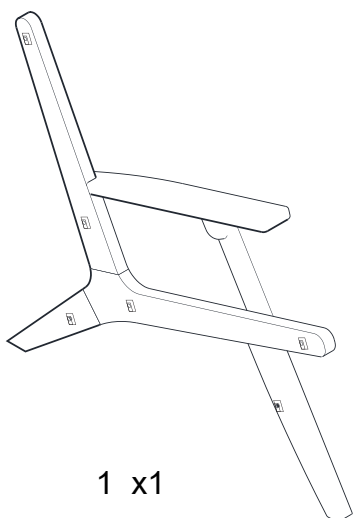
10 min



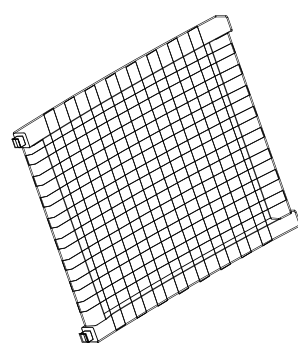
x1



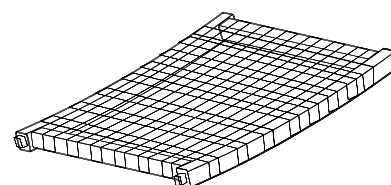
x1



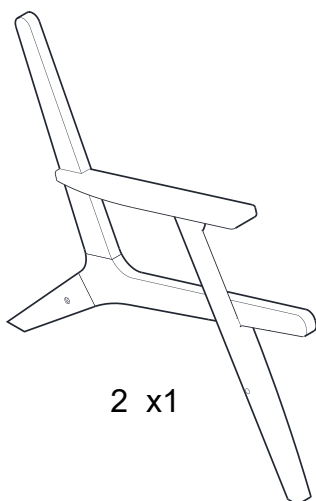
1 x1



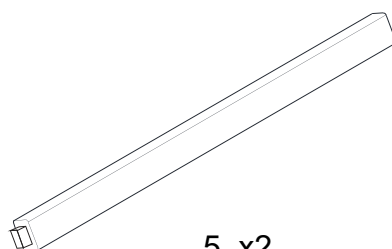
3 x1



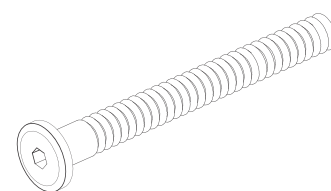
4 x1



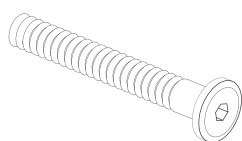
2 x1



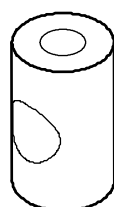
5 x2



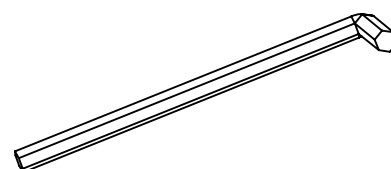
A x2 (M6x90)



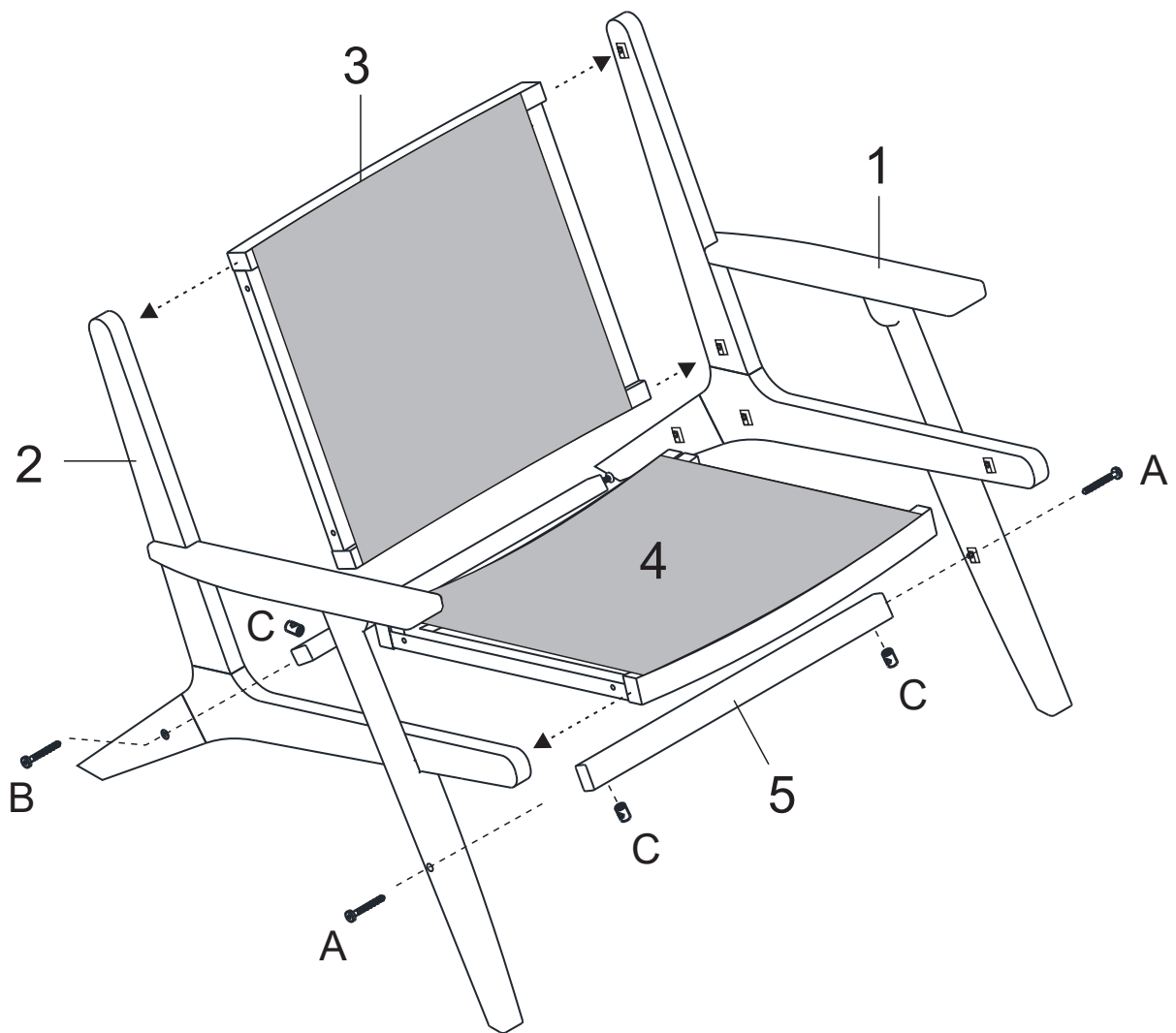
B x12 (M6x60)



C x4 (M6)

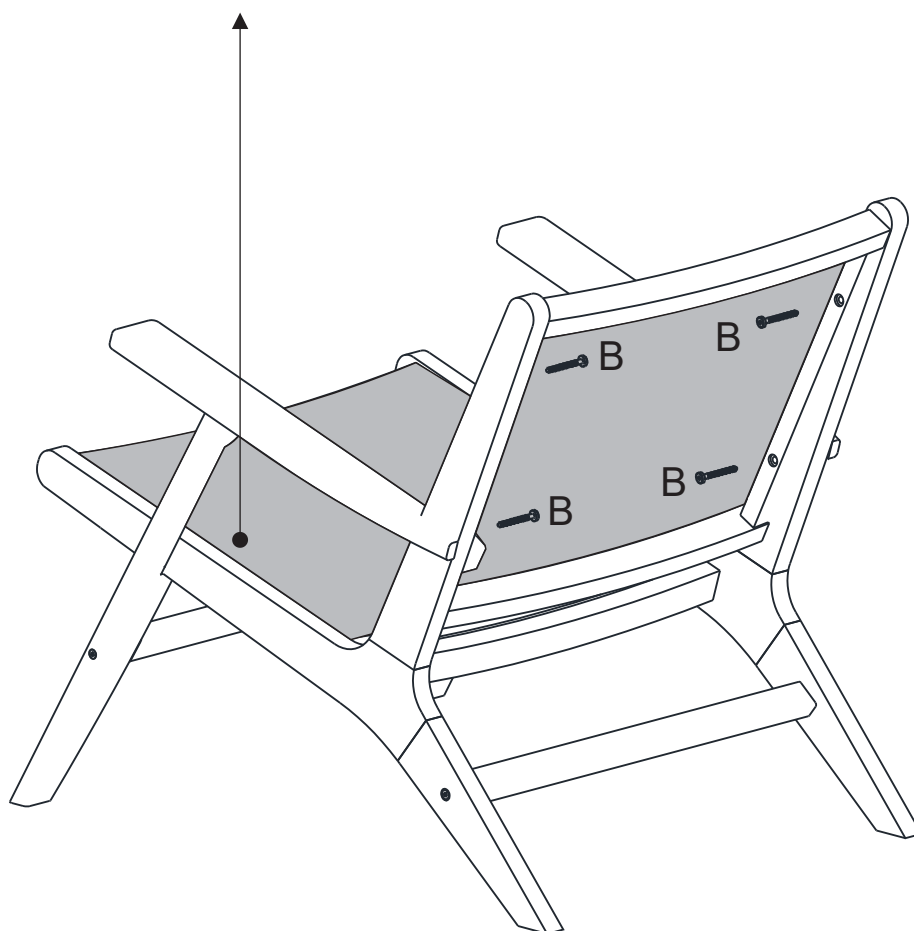
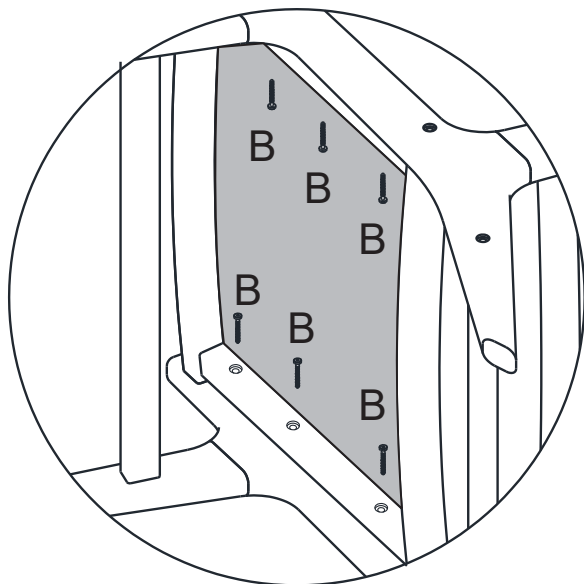


D x1





1





2

