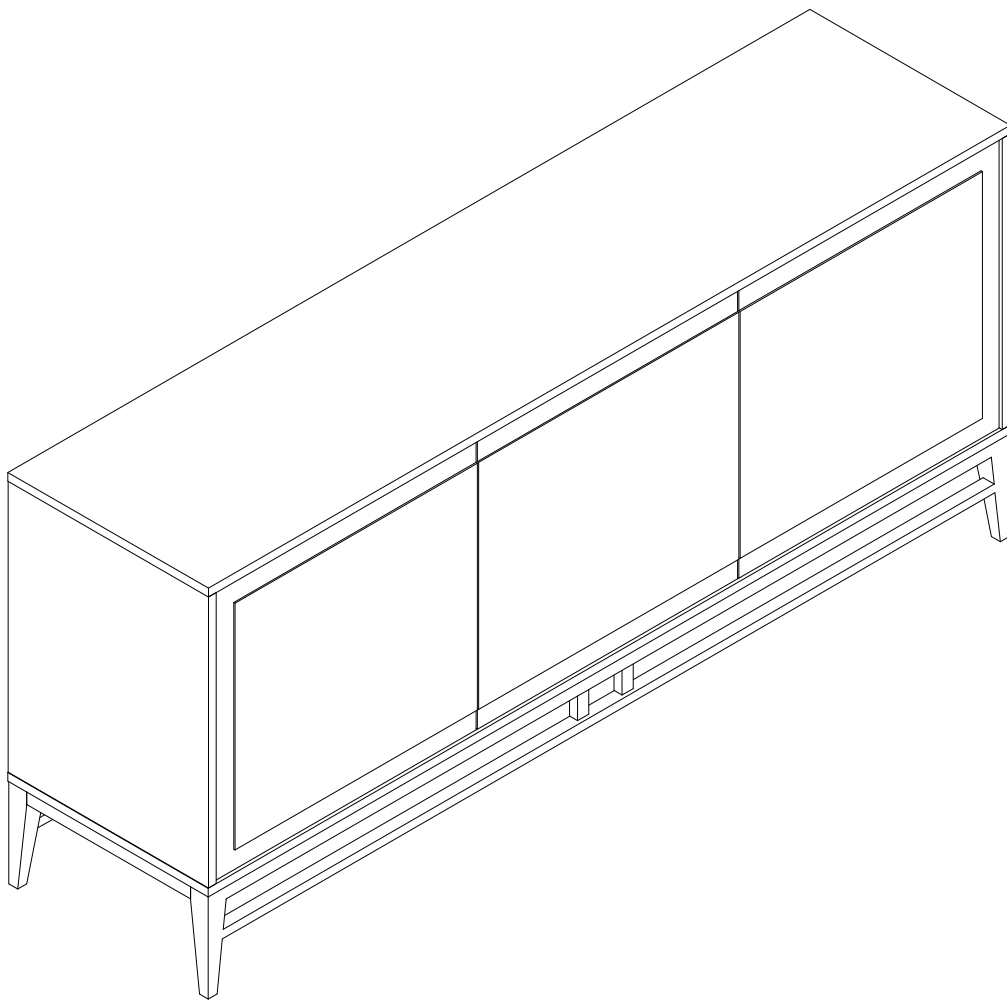
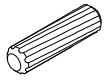
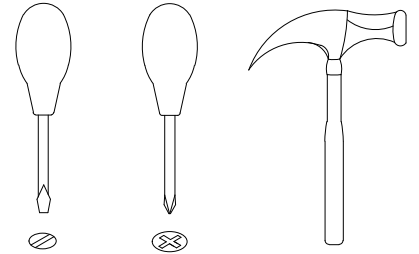
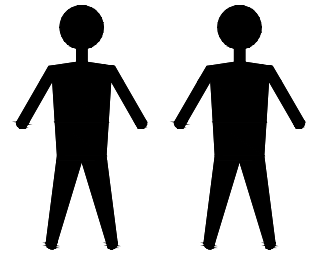


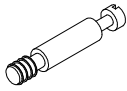
CP1709E



CP1709E



A x20
Spec: $\phi 8 \times 30$



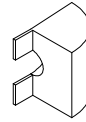
B x16
Spec: $\phi 7 \times L30$



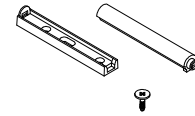
C x16
Spec: $\phi 15 \times H12$



D x18
Spec: $\phi 3.5 \times L16$



E x18
Spec: H13



F x3
Spec:



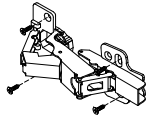
G x6
Spec: $\phi 3.5 \times L11$



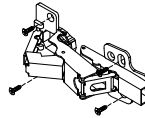
H x12
Spec: $\phi 5 \times L19$



I x12
Spec: $\phi 20 \times H12$



J x6
Spec: 089#



K x3
Spec: 079#



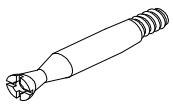
L x16
Spec:



M x18
Spec: $3.8 \times L16$



N x1
Spec: 10g



O x8
Spec: $\phi 7 \times L48$



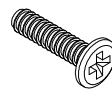
P x8
Spec: $\phi 15 \times H15$



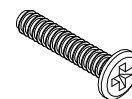
Q x12
Spec:



R x14
Spec: $\phi 8 \times \phi 14$



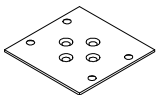
S x4
Spec: M6*30



T x10
Spec: M6*35



U x16
Spec: $\phi 3.8 \times L38$



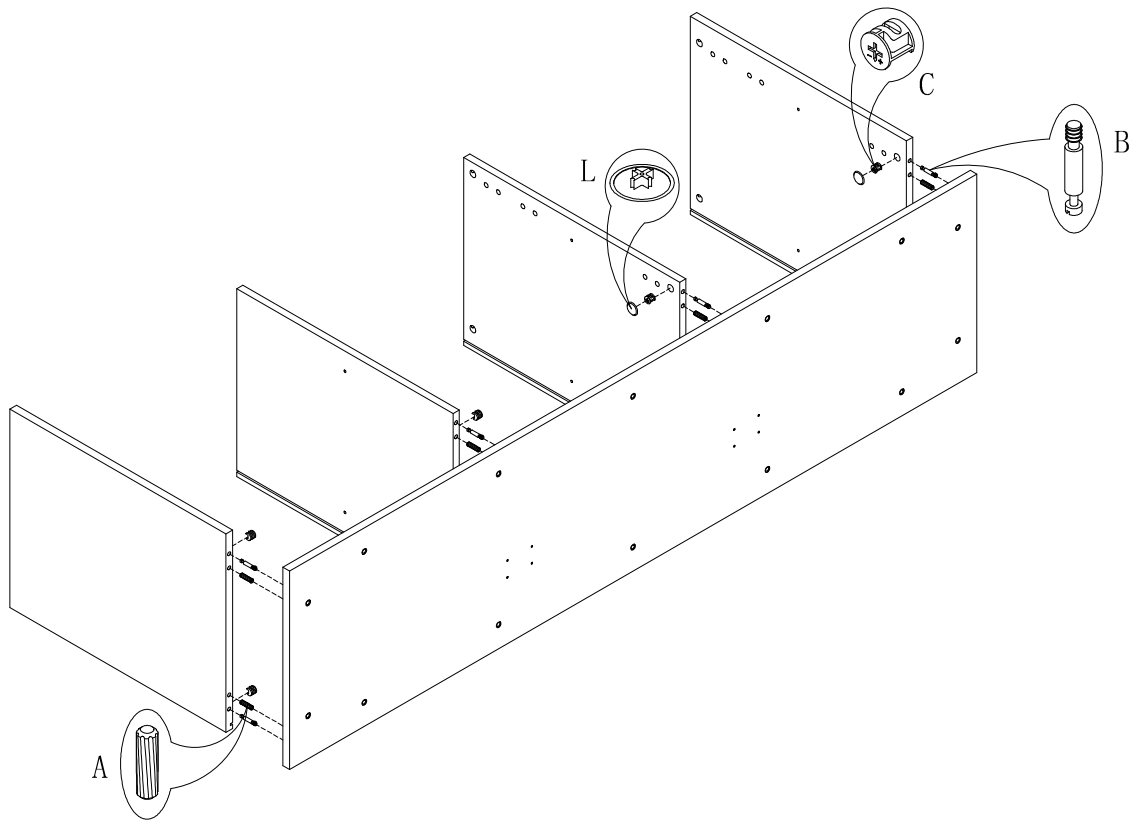
V x2
Spec: $78 \times 78 \times 1.8$



W x8
Spec: $\phi 4 \times L16$

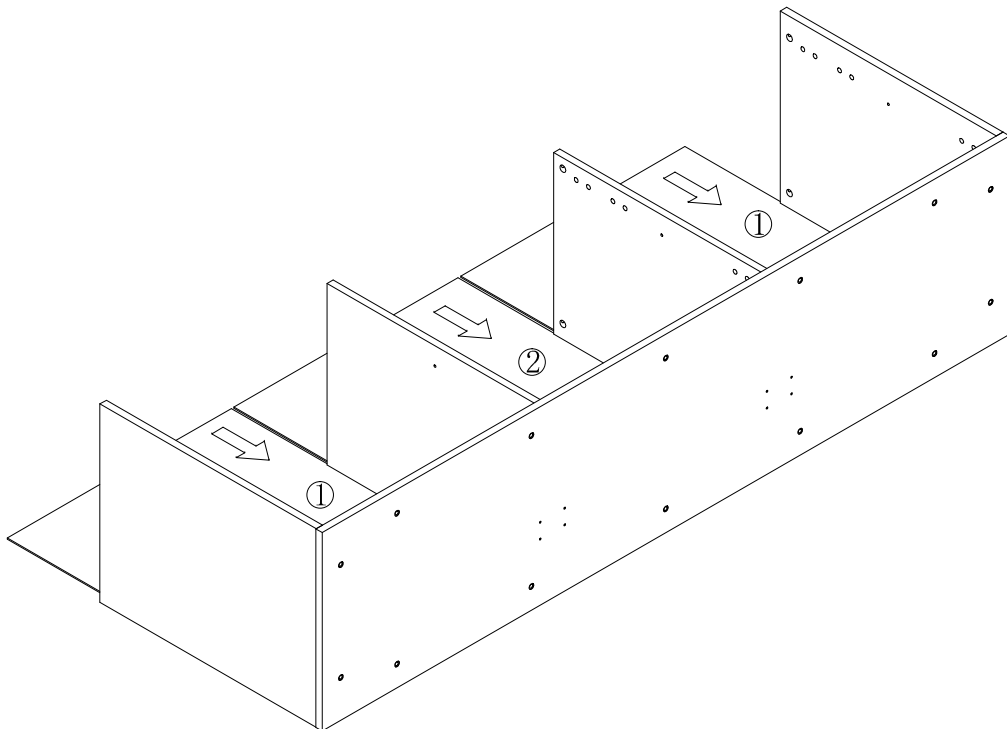


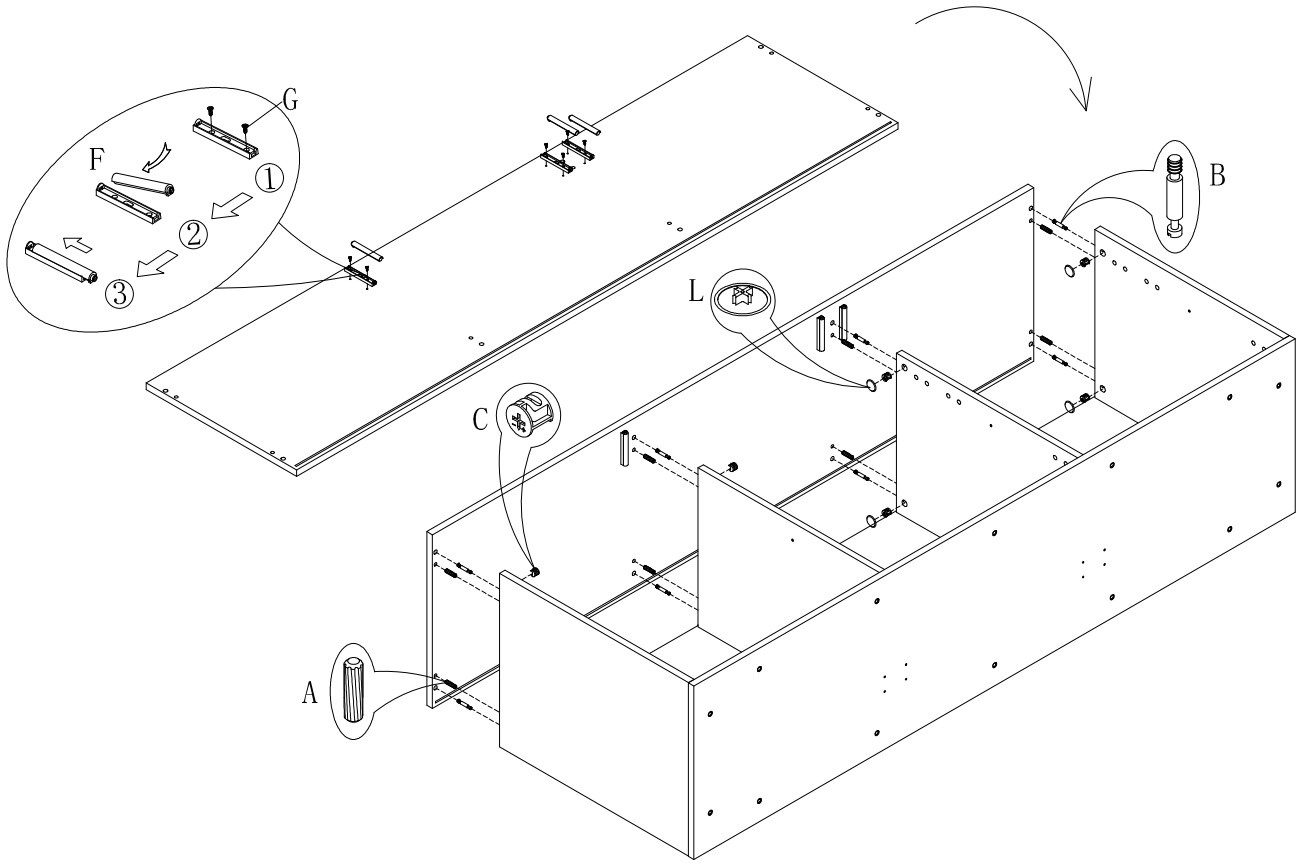
X x8
Spec: $\phi 3.5 \times L20$



1

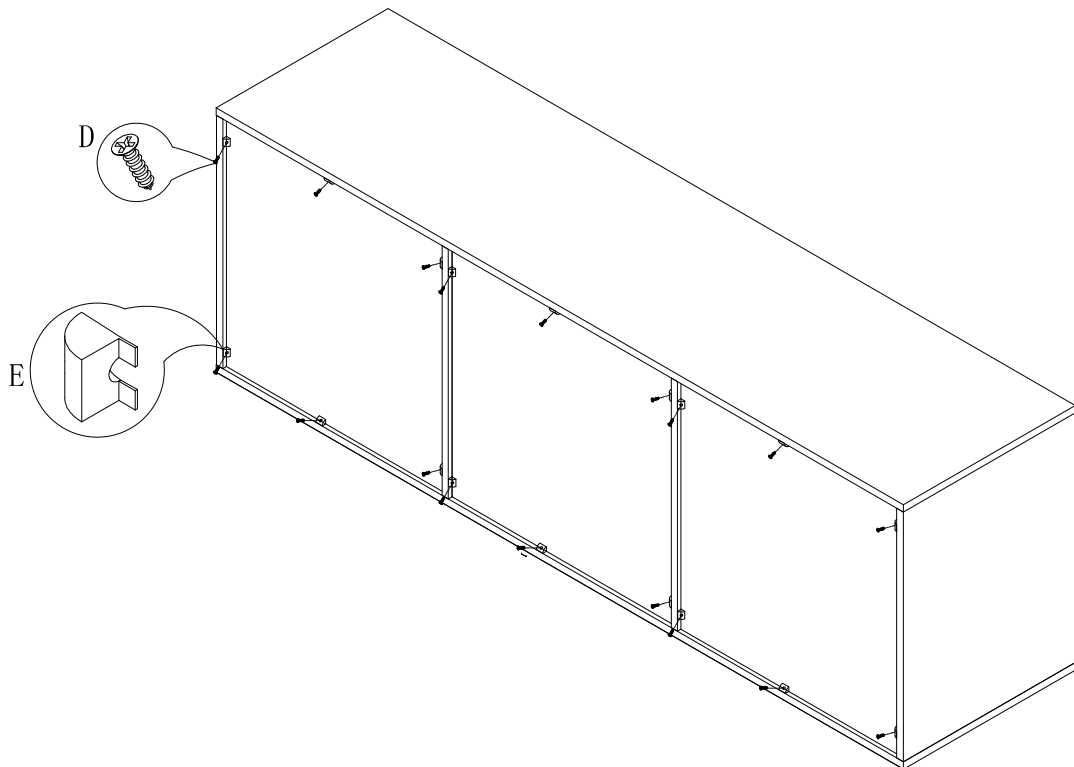
2

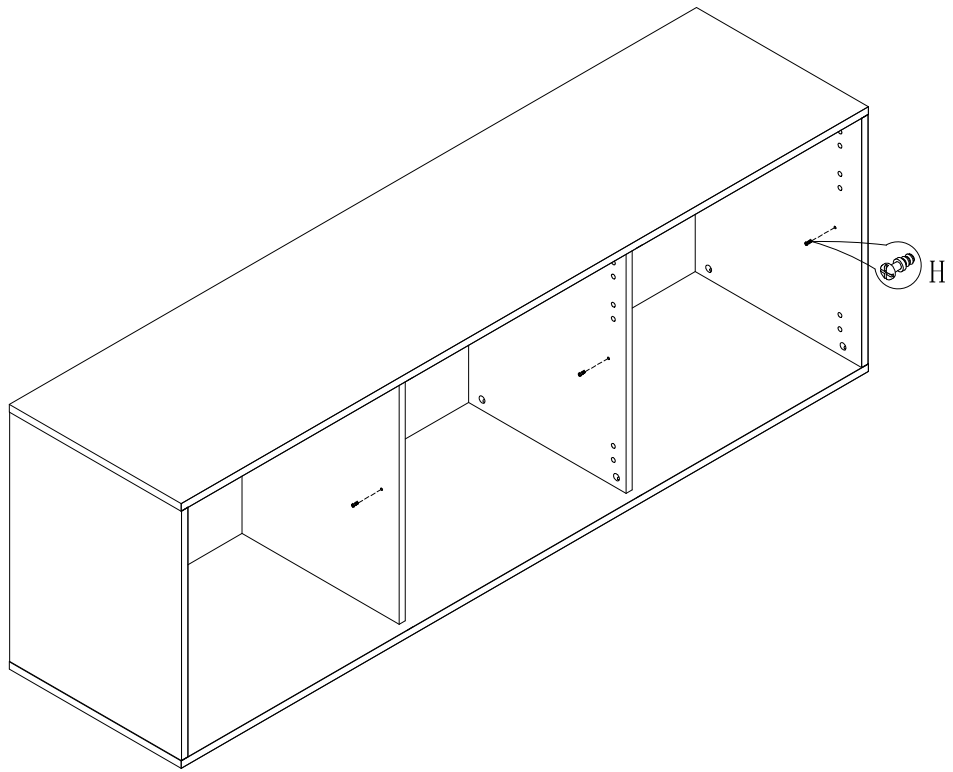




3

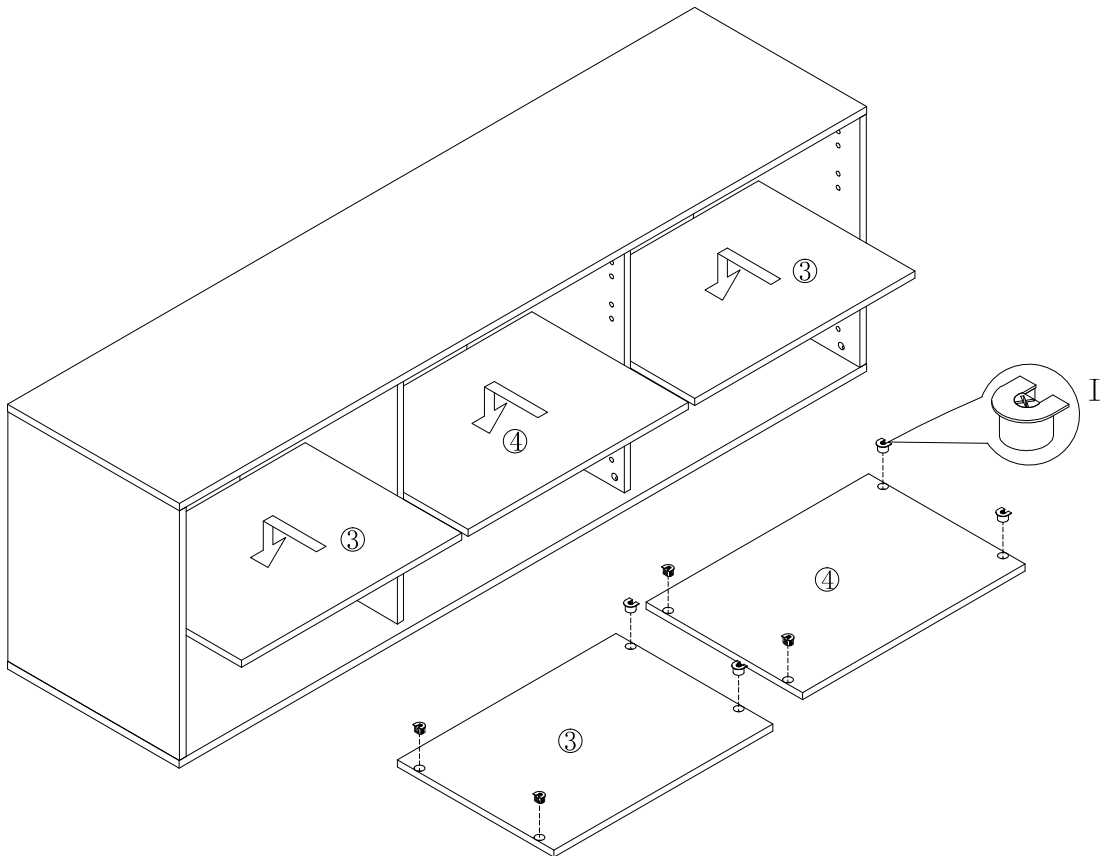
4

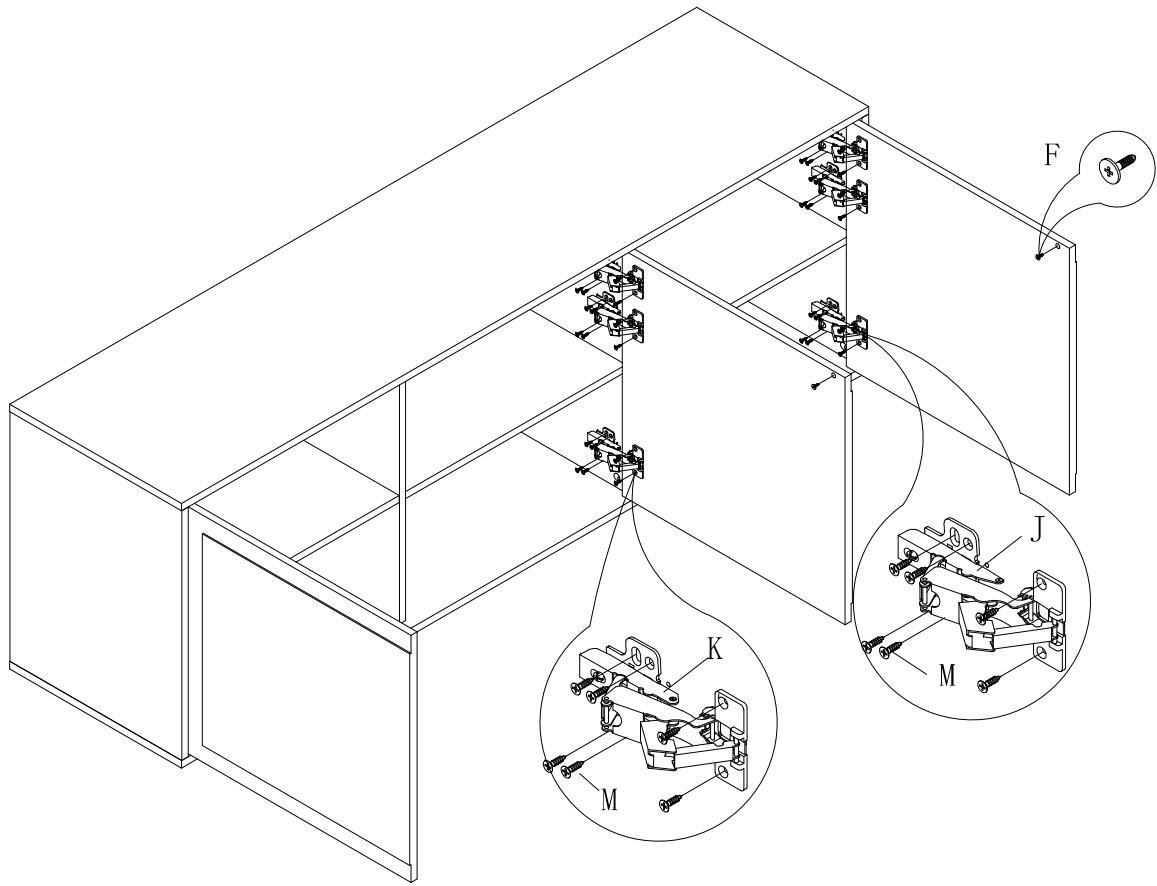




5

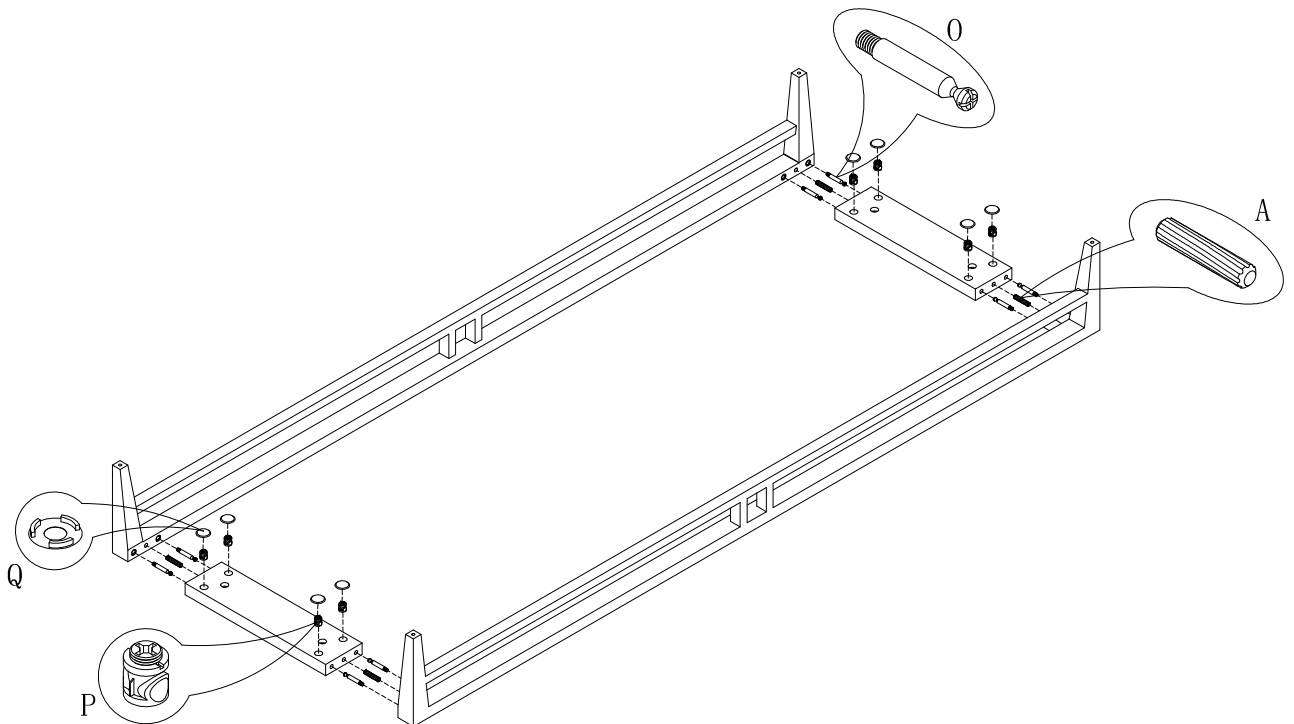
6

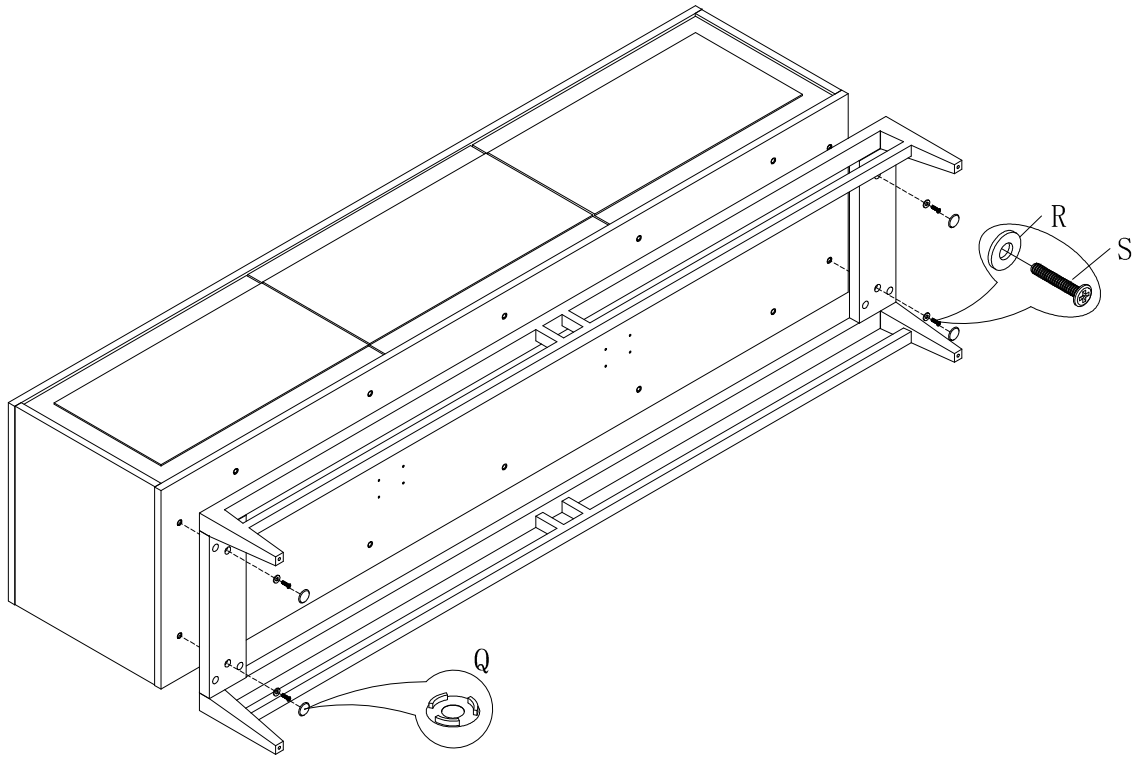




7

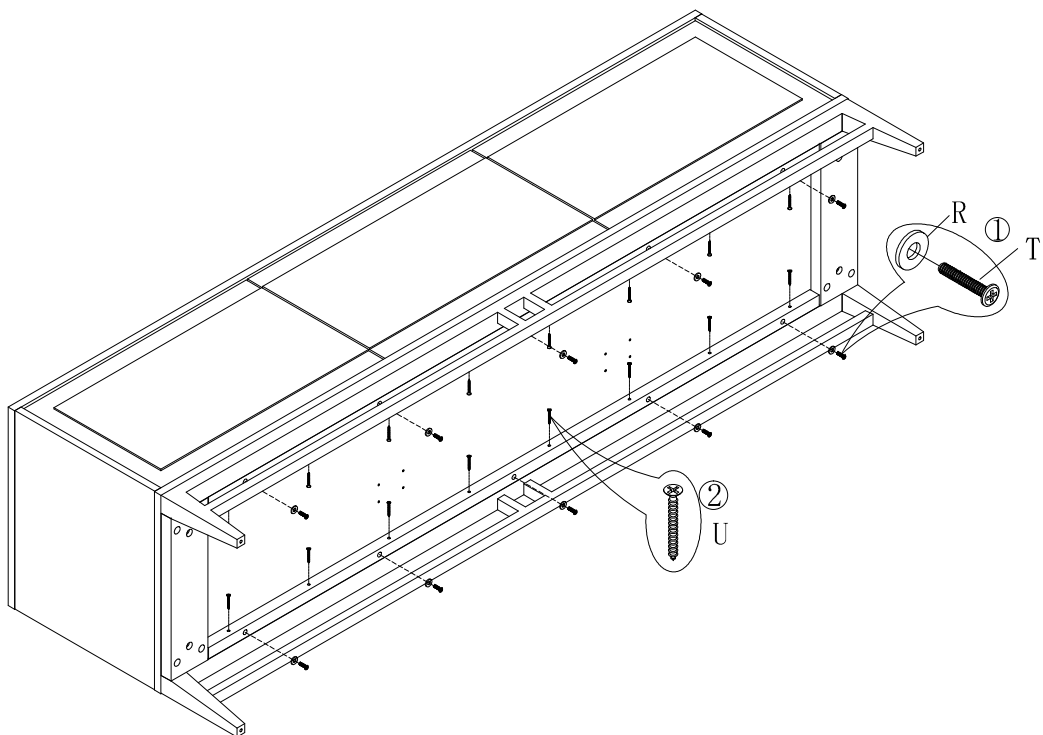
8

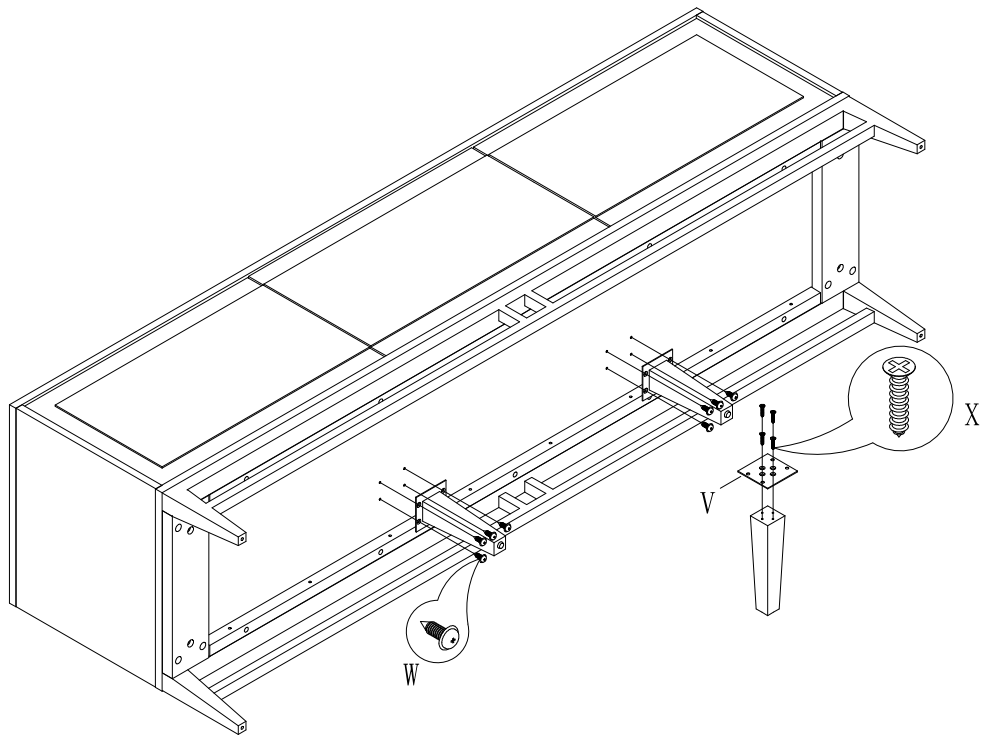




9

10





11

12

