

## CODING

- 241322
- 241323
- 241365
- 241324



ISO 9001:2015  
Reg. No. 000435-1-MY-1-QMS

nesthouz.com

Read the instructions carefully. Remove all the wrappings, staples and straps from the carton. Refer to the hardware and furniture part list for guidance. Make sure that you have all the parts before you start assembling. Place all the wooden furniture parts on a clean, flat and soft surface, such as a carpet or rubbermat to prevent scratches.

## CAUTION

KEEP ALL THE PARTS OUT OF CHILDREN'S REACH.

ITEM	PHOTO	HAREWARE NAME	QTY
(A)		JCBB SCREW M6 X 20MM	4
(B)		SPRING WASHER 1/4"	4
(C)		PAN HEAD WOOD SCREW M5 X 32MM	10
(D)		WOOD BUTTON 14.5MM	4
(E)		ALLEN KEY M4 (BALL SHAPE)LONG	1
(F)		WOOD DOWEL DIA 8 x 25MM	2

ITEM	PHOTO	PARTS NAME	QTY
(1)		CHAIR HEAD	1
(2)		SIDE LEG (R & L)	2
(3)		FRONT STRETCHER (LONG)	1
(4)		BACK STRETCHER (SHORT)	1
(5)		SEAT	1

### CODING

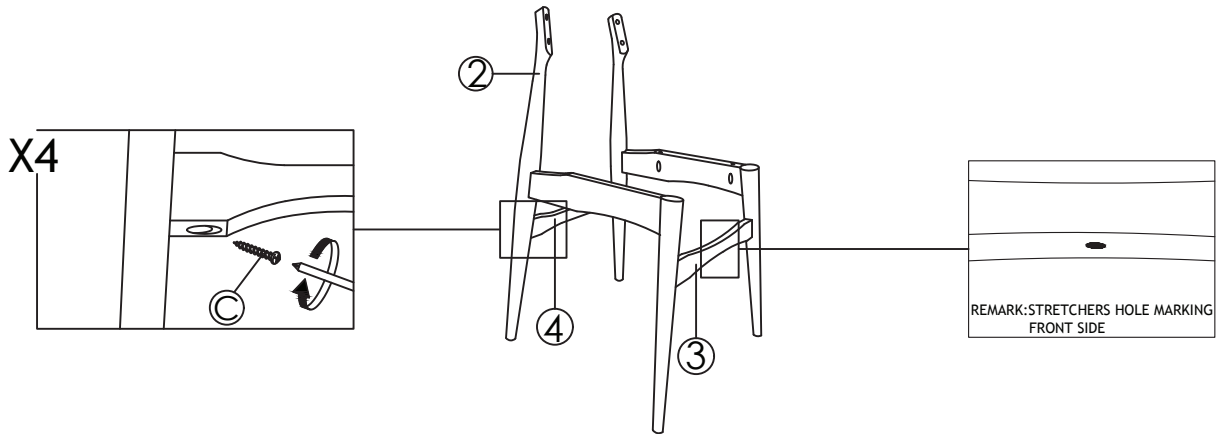
- 241322
- 241323
- 241365
- 241324



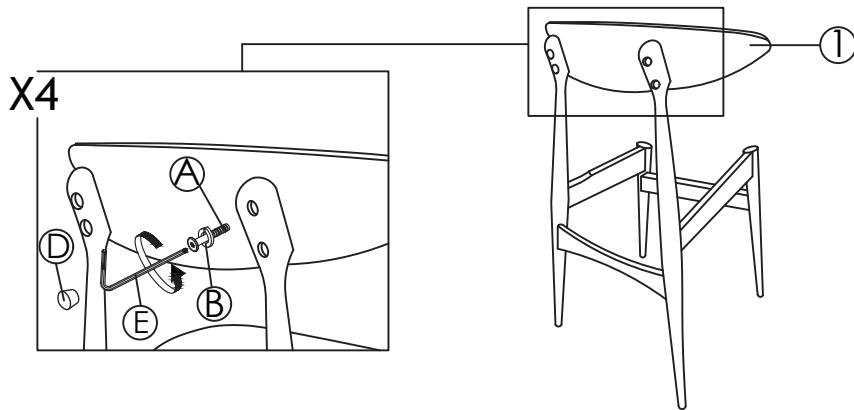
ISO 9001:2015  
Reg. No. 000435-1-MY-1-QMS

nesthouz.com

1



2



3

