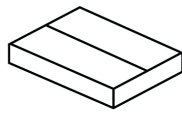




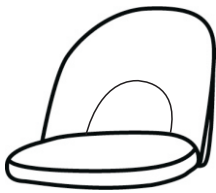
10 min



x1



x1



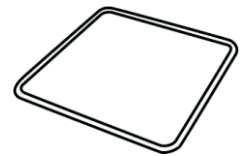
A X1



B X1



C X1



D X1

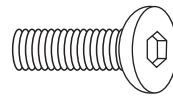


M6X35

E X4

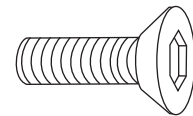


F X4



M6X20

G X2

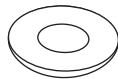


M6X20

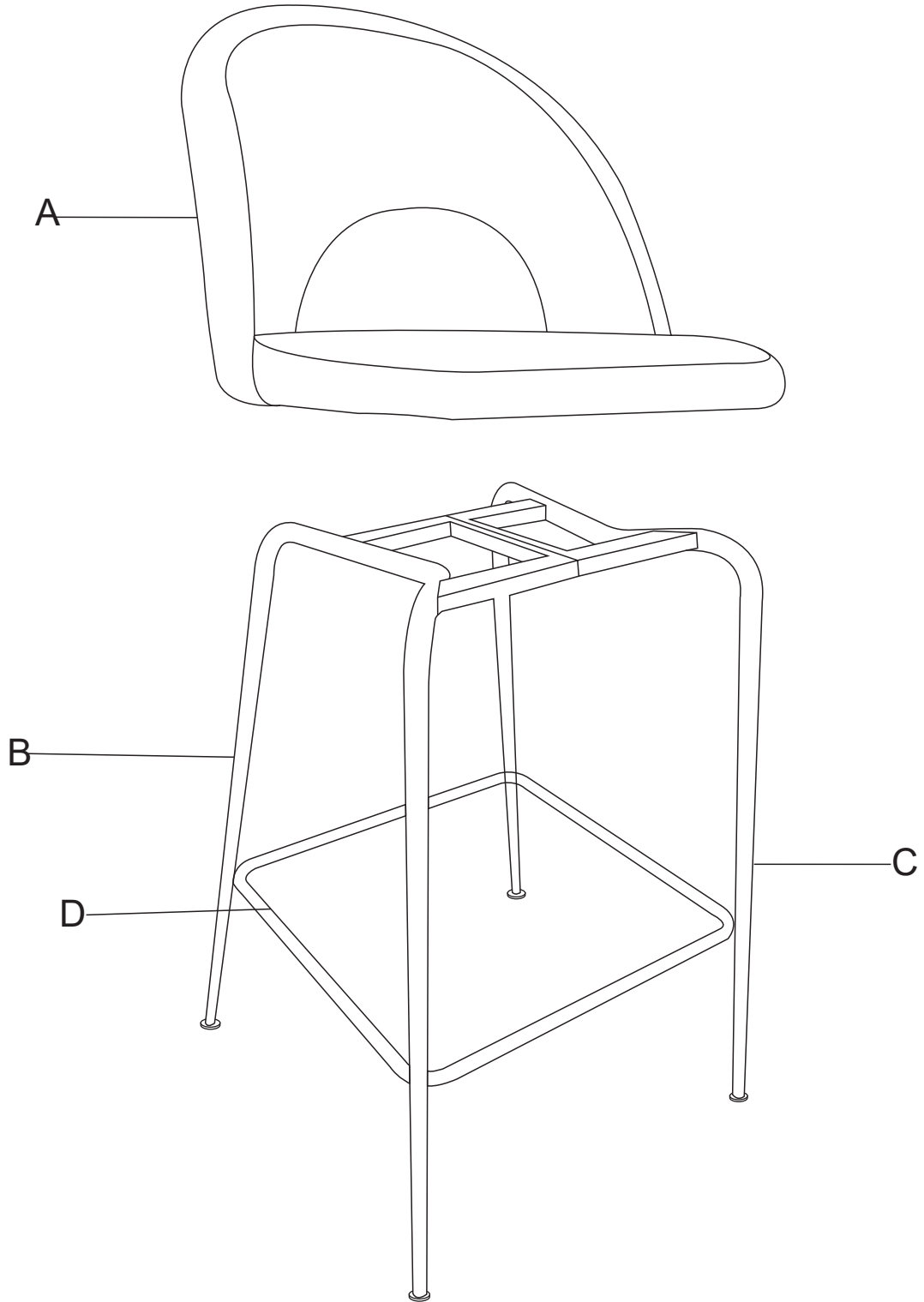
H X4



I X1

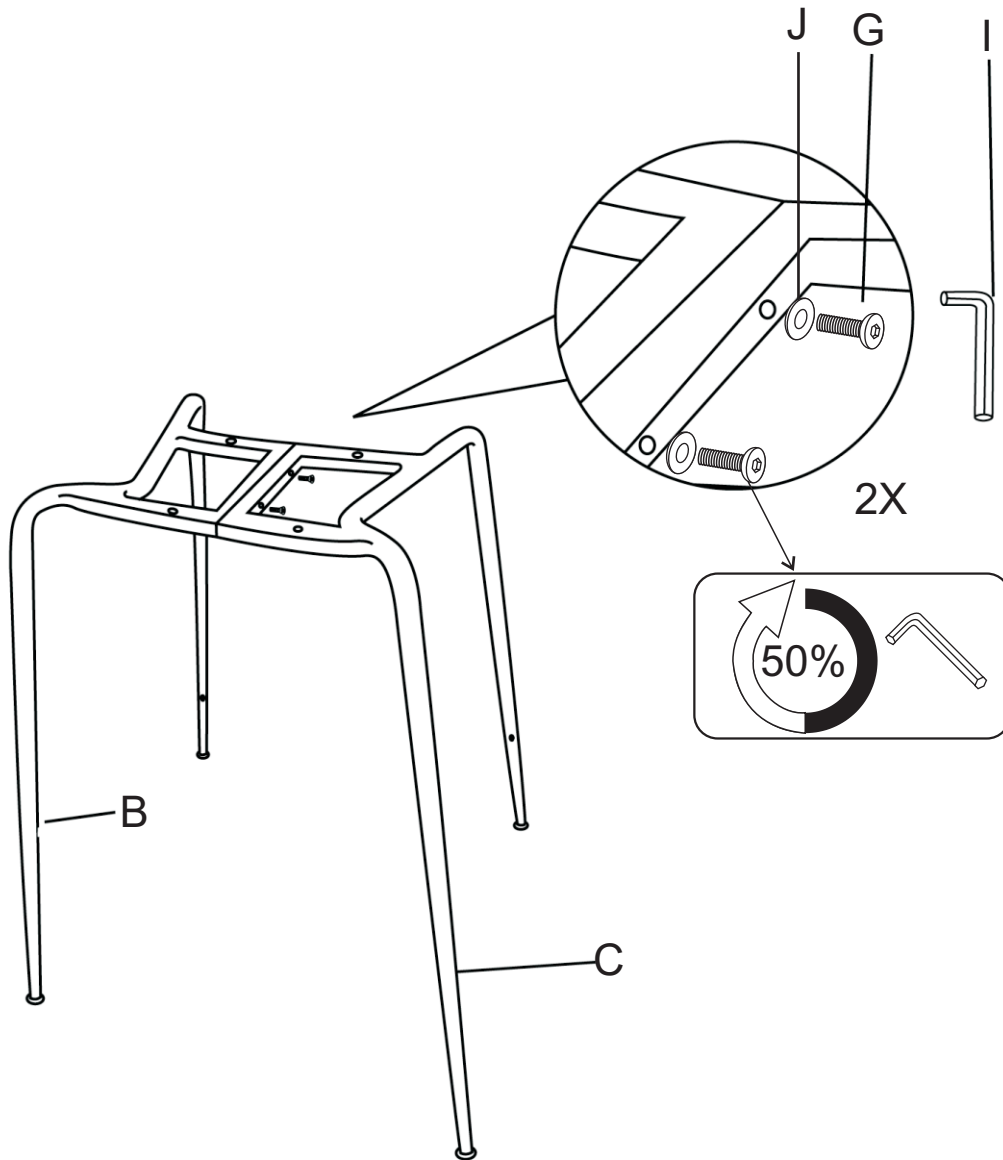


J X2



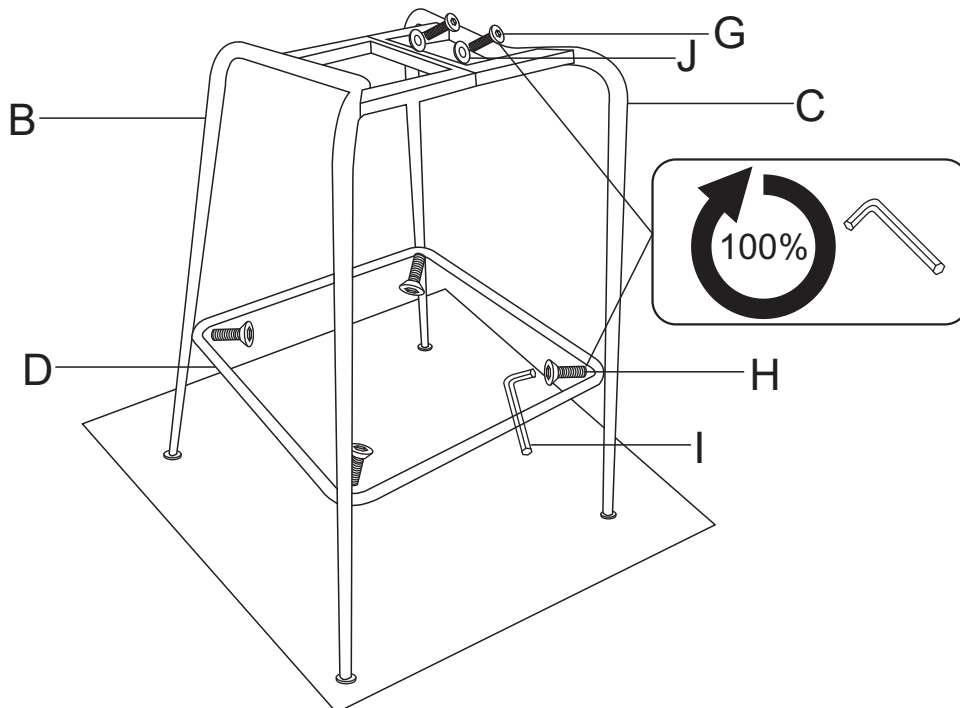
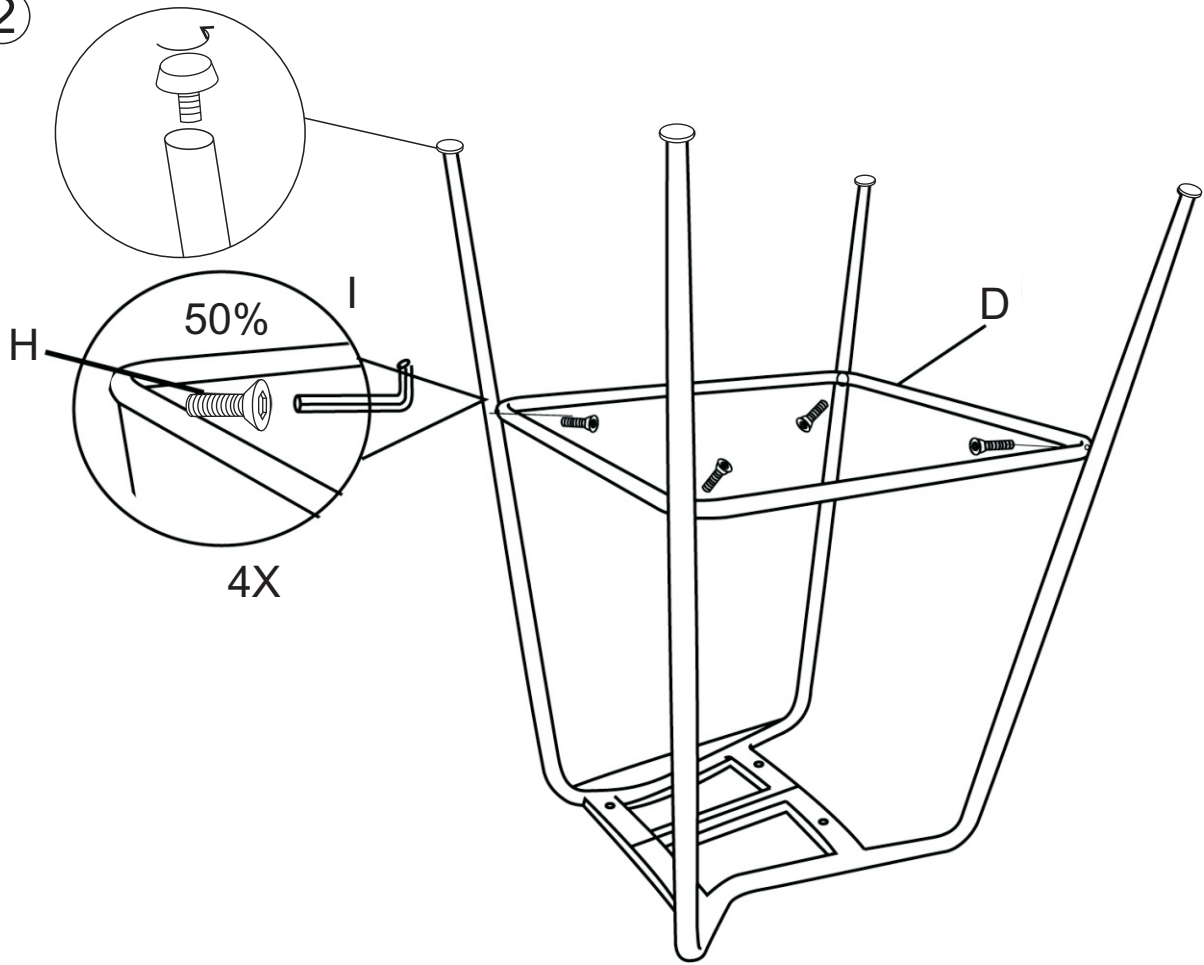


①





2





3

