

CODING
-241352



ISO 9001:2015
Reg. No. 000433-1-MY-1-QBIS

Read the instruction carefully. Remove all the wrapping material, staples and straps from the carton. Refer to the hardware and furniture part list for guidance. Be sure that you have all the part before you start assembling. Place all the wooden furniture part on a clean and flat soft surface, such carpet or rubbermat to prevent from scratches.

CAUTION
KEEP ALL THE PARTS OUT OF REACH OF CHILDREN

ITEM	PHOTO	HARDWARE NAME	QTY
(A)		JCBC BOLT M6 X 50MM (BLK)	8 (+ 1 extra)
(B)		JCBB BOLT M6 X 30MM (BLK)	3 (+ 1 extra)
(C)		SPRING WASHER 5/16" (BLK)	8 (+ 1 extra)
(D)		FLAT WASHER M6 X 13MM (BLK)	8 (+ 1 extra)
(E)		BIG WASHER	8 (+ 1 extra)
(F)		ALLEN KEY M4 (BALL SHAPE)	1
(G)		PVC STOPPER	4
(H)		SCREW 6 x 5/8	4

ITEM	PHOTO	PART NAME	QTY
(1)		CHAIR LEG (FR&FL)	2
(2)		CHAIR LEG (BR&BL)	2
(3)		CHAIR BACK	1
(4)		CHAIR SEAT	1

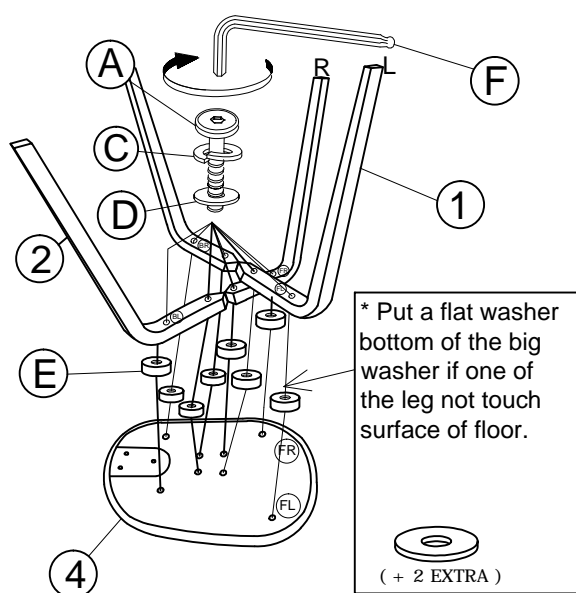
AVARIE

CODING
-241352



ISO 9001:2015
Reg. No. 000435-1-MY-1-QM3

1



2

