

ASSEMBLY INSTRUCTIONS



A:1PC



M8X30L
B:4PCS



M8X15L
C:4PCS



D:1PC

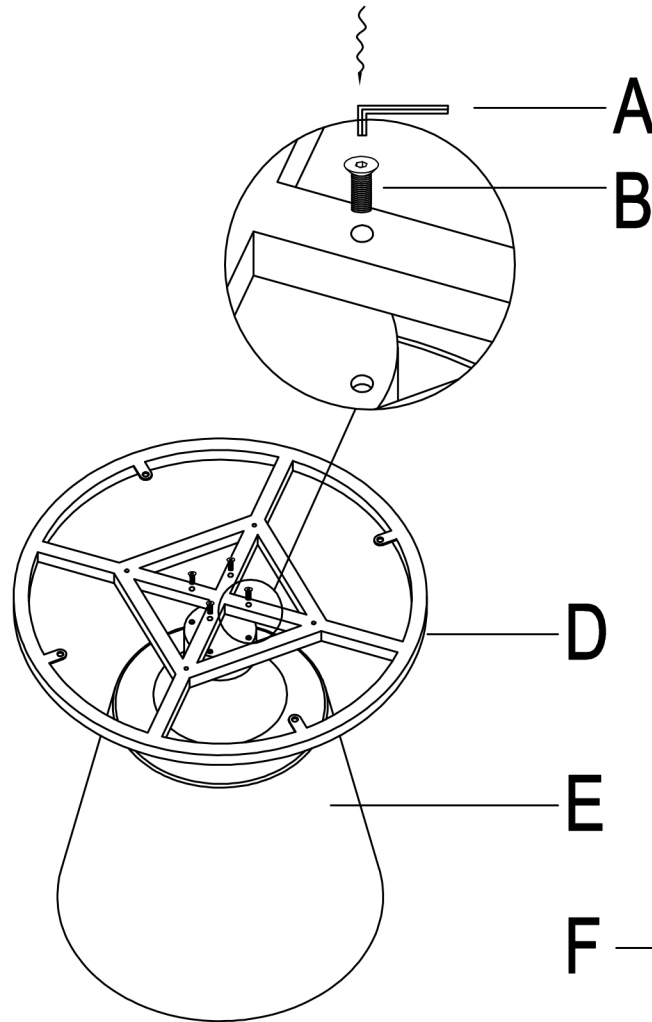


E:1PC



Table Top
F:1PC

STEP 1:



STEP 2:

