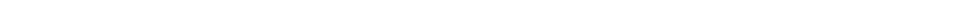
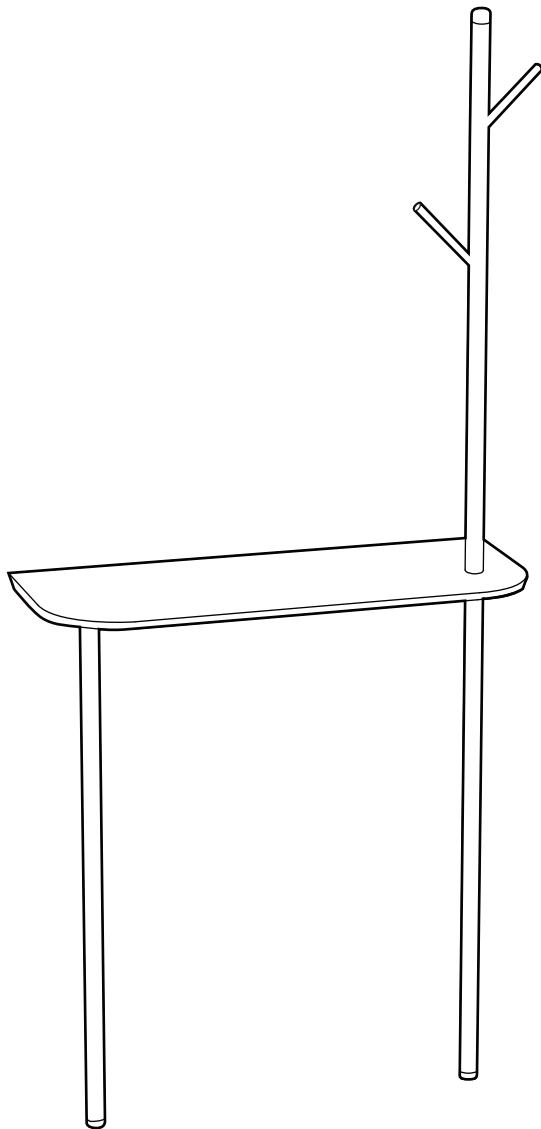
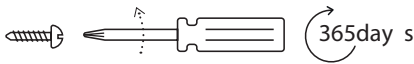
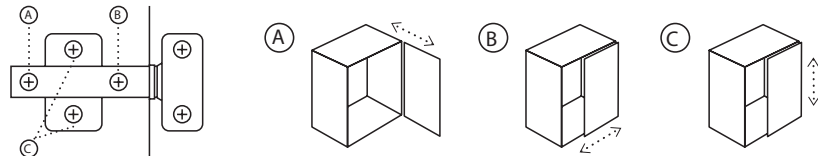
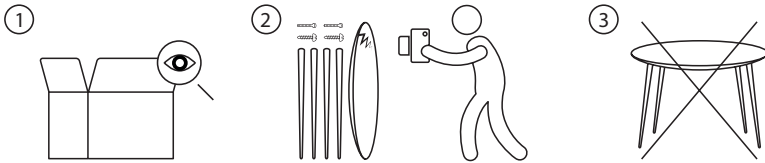
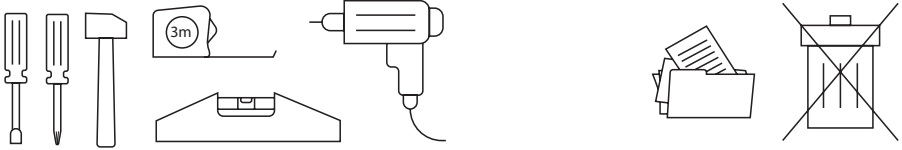
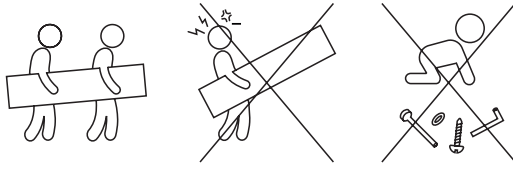




MARCOLINA

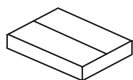
---







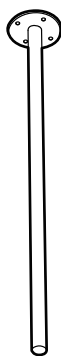
15 min



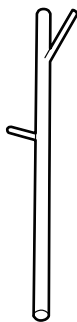
x1



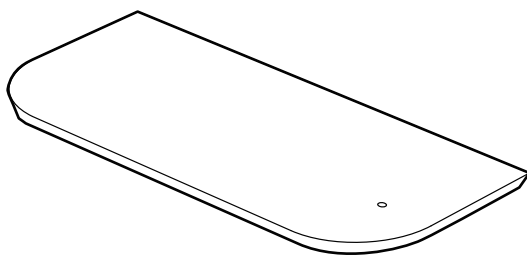
x1



1 x2



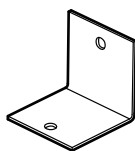
2 x1



3 x1



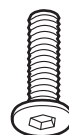
4 x1



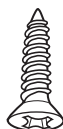
A x2



B x10(Ø6x15.7mm)



C x1(Ø6x41.1mm)



D x2(Ø4x31.75mm)



E x2



F x1(Ø25mm)



G x1(Ø12mm)



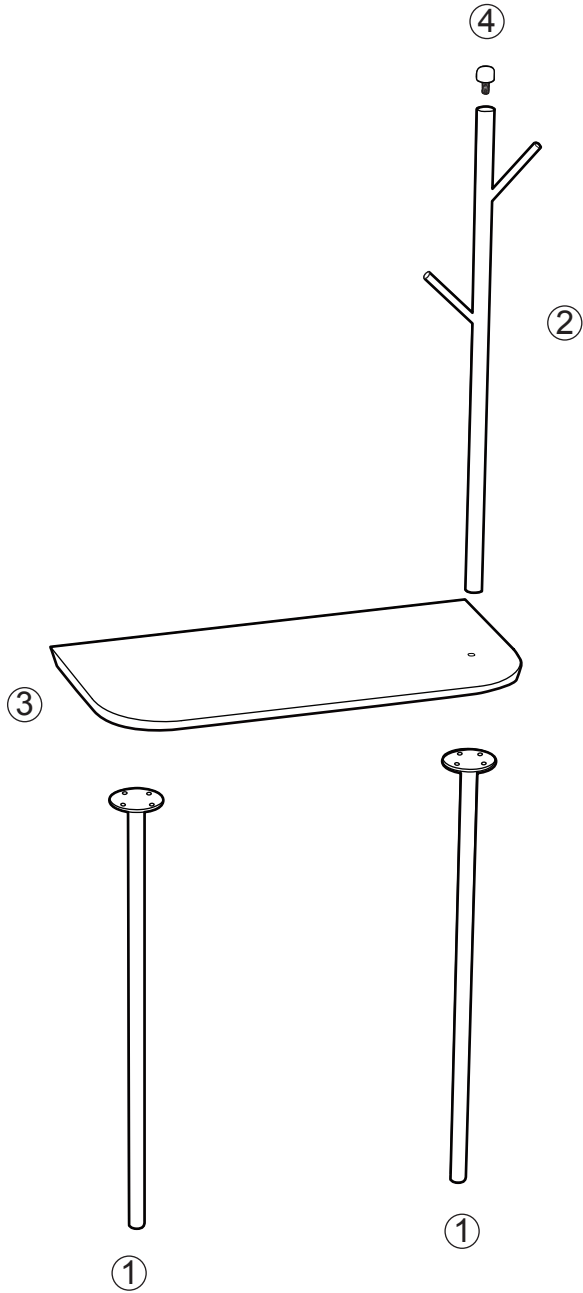
H x2



I x2

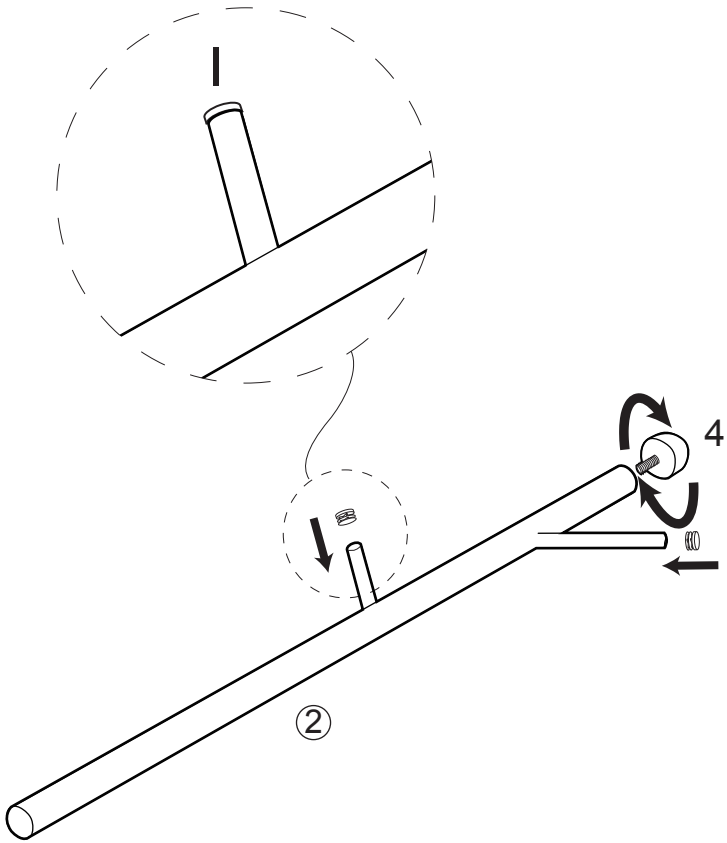


J x1



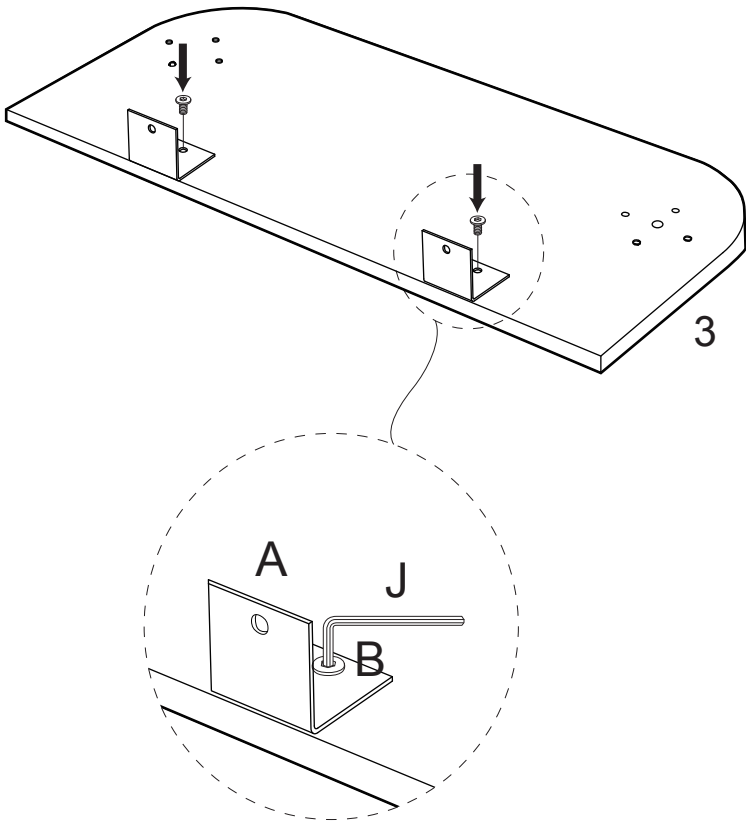


1



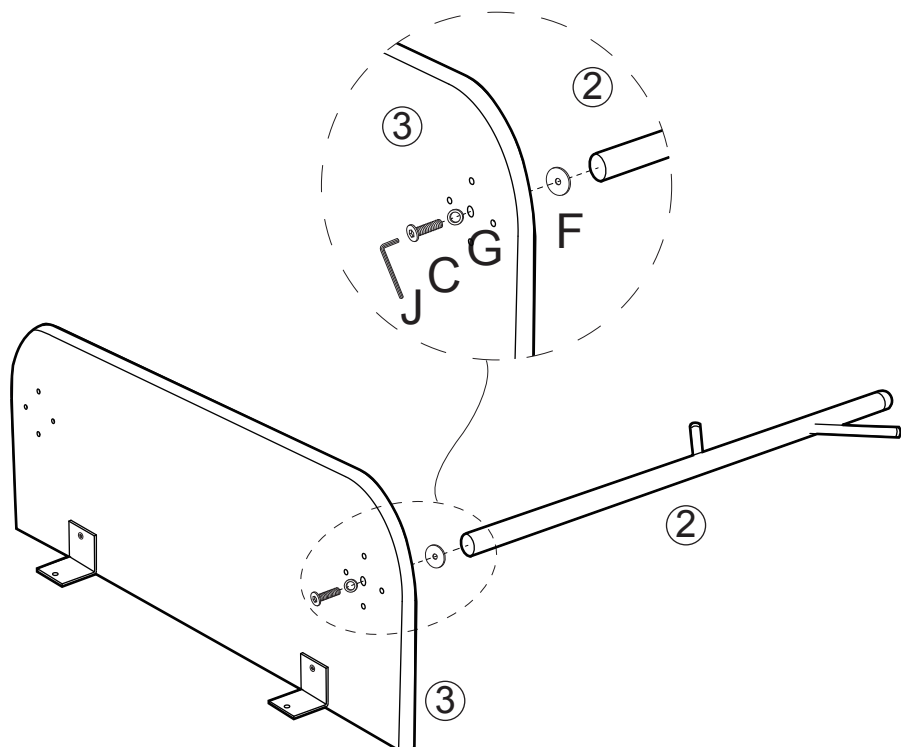


2



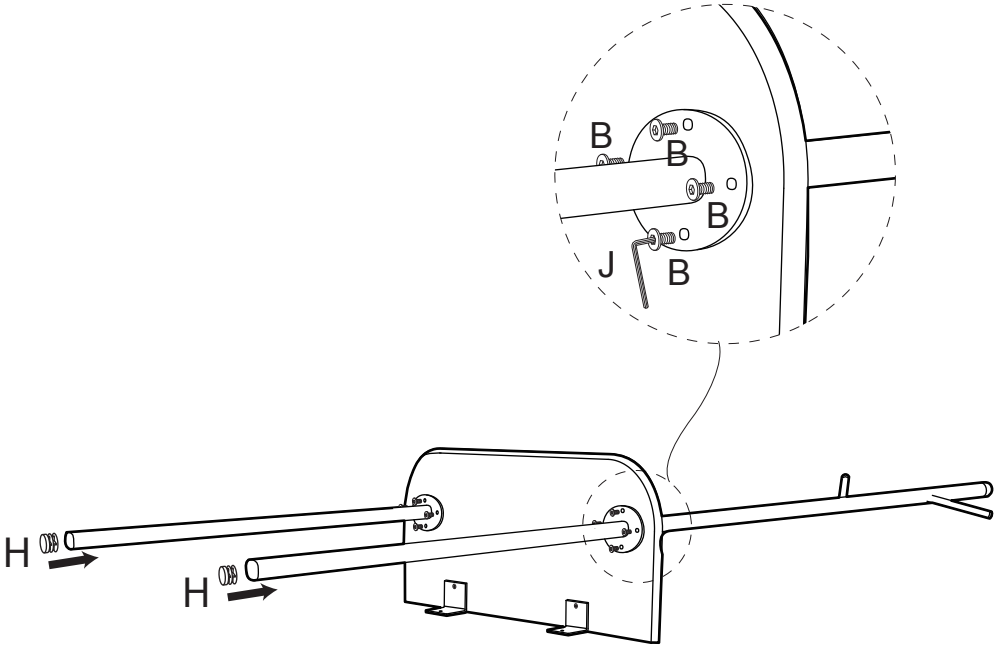


3





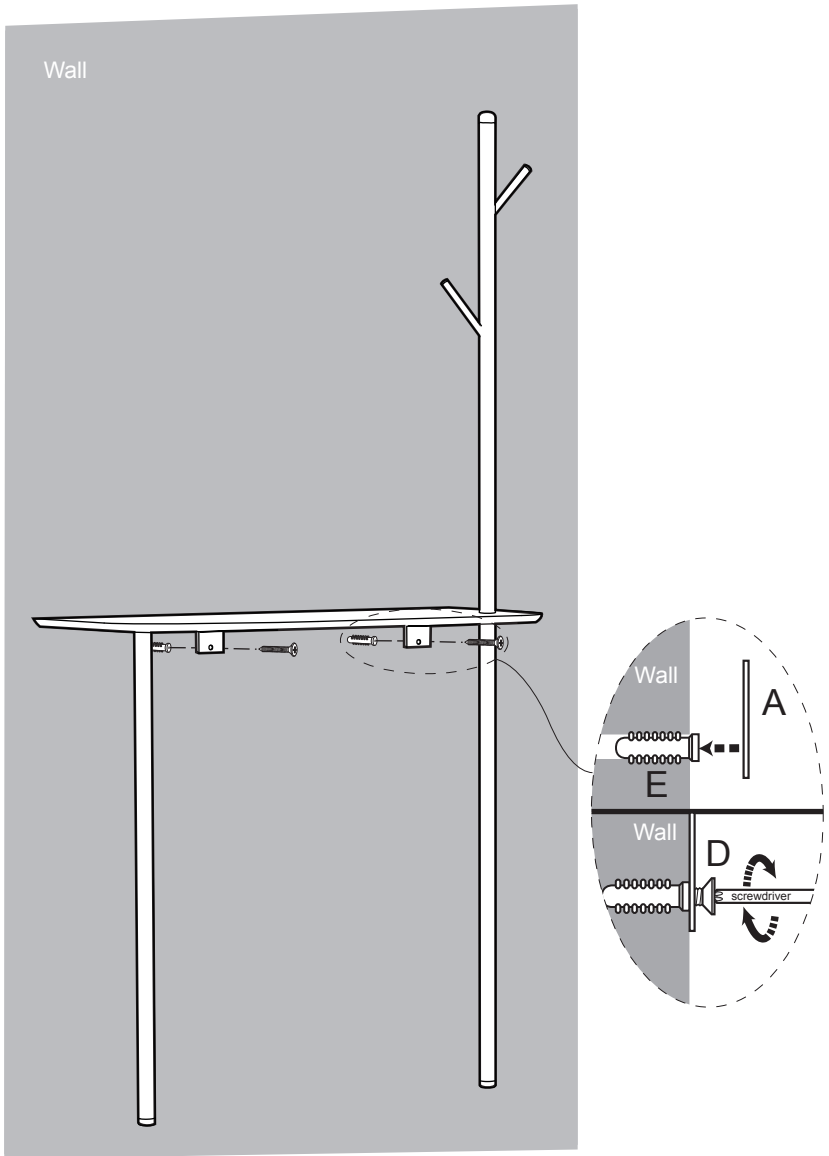
4







5



**THAT'S ALL FOLKS!**