

CODING

-241484



ISO 9001:2015
Reg. No. 000435-1-MY-1-Q&S

Read the instruction carefully. Remove all the wrapping material, staples and straps from the carton. Refer to the hardware and furniture part list for guidance. Be sure that you have all the part before you start assembling. Place all the wooden furniture part on a clean and flat soft surface, such as carpet or rubbermat to prevent from scratches.

CAUTION

KEEP ALL THE PARTS OUT OF REACH OF CHILDREN

| ITEM | PHOTO | HARDWARE NAME | QTY |
|------|-------|---------------------------|------------------|
| (A) | | JCBC SCREW M6 X 60MM (RB) | 4 (+1 extra) |
| (B) | | JCBC SCREW M6 X50MM (RB) | 4 (+1 extra) |
| (C) | | JCBC SCREW M6 X30MM (RB) | 2 (+1 extra) |
| (D) | | JCBC SCREW M6 X25MM (RB) | 2 (+1 extra) |
| (E) | | SPRING WASHER 5/16" (RB) | 12 (+2 extra) |
| (F) | | FLAT WASHER 6 X 13MM (RB) | 10 (+2 extra) |
| (G) | | SCREW PIN 15x15MM | 2 (+1 extra) |
| (H) | | PH 5 x 32MM (BLK) | 2 (+1 extra) |
| (I) | | WOOD DOWEL M10x30 | 4 (+1 extra) |
| (J) | | ALLEN KEY M4 (BALL SHAPE) | 1 |
| (K) | | WOOD BUTTON | 4 (+1 extra) |

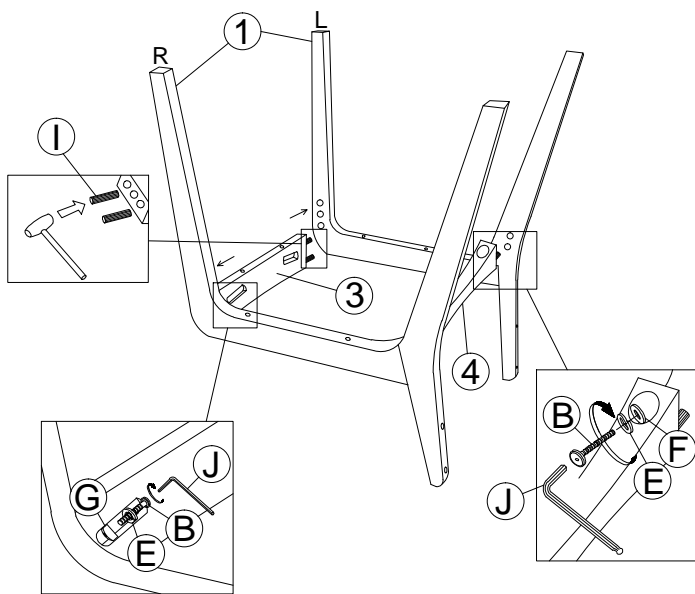
| ITEM | PHOTO | PART NAME | QTY |
|------|-------|---------------|-----|
| (1) | | CHAIR LEG L/R | 2 |
| (2) | | CHAIR BACK | 1 |
| (3) | | FRONT RAIL | 1 |
| (4) | | BACK RAIL | 1 |
| (5) | | CHAIR SEAT | 1 |

CODING
-241484

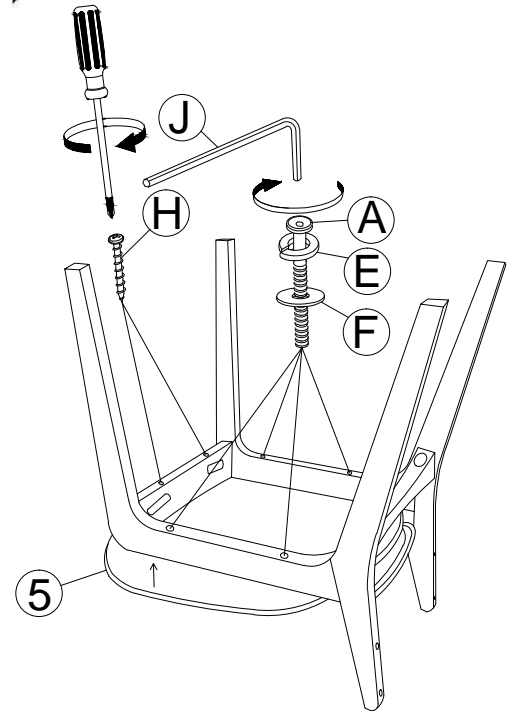


ISO 9001:2015
Reg. No. 000435-1-MY-1-QB45

1



2



3

