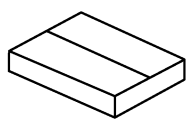
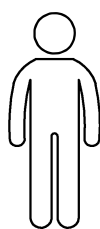


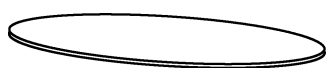
20 min



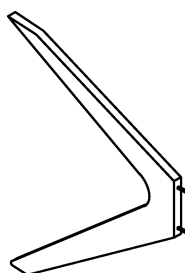
x1



x2



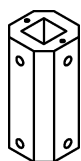
A x1



B x2



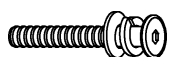
C x2



D x1



E x1



1 x4 (M6x70)



2 x1 (M4)



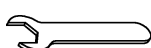
3 x8



4 x8



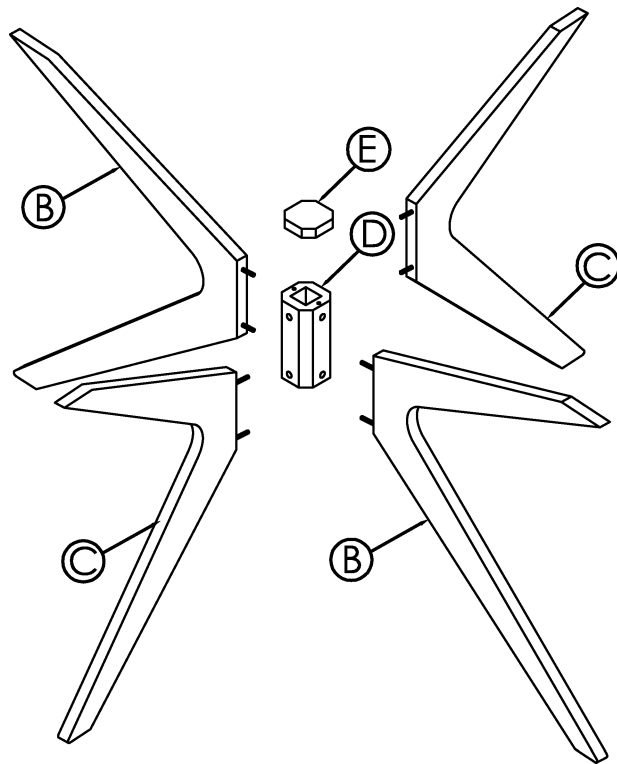
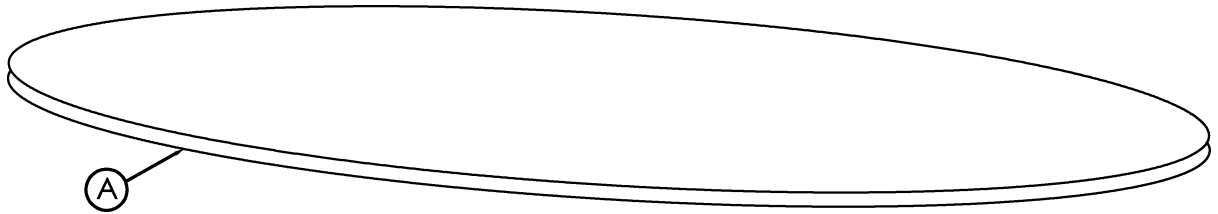
5 x8



6 x1



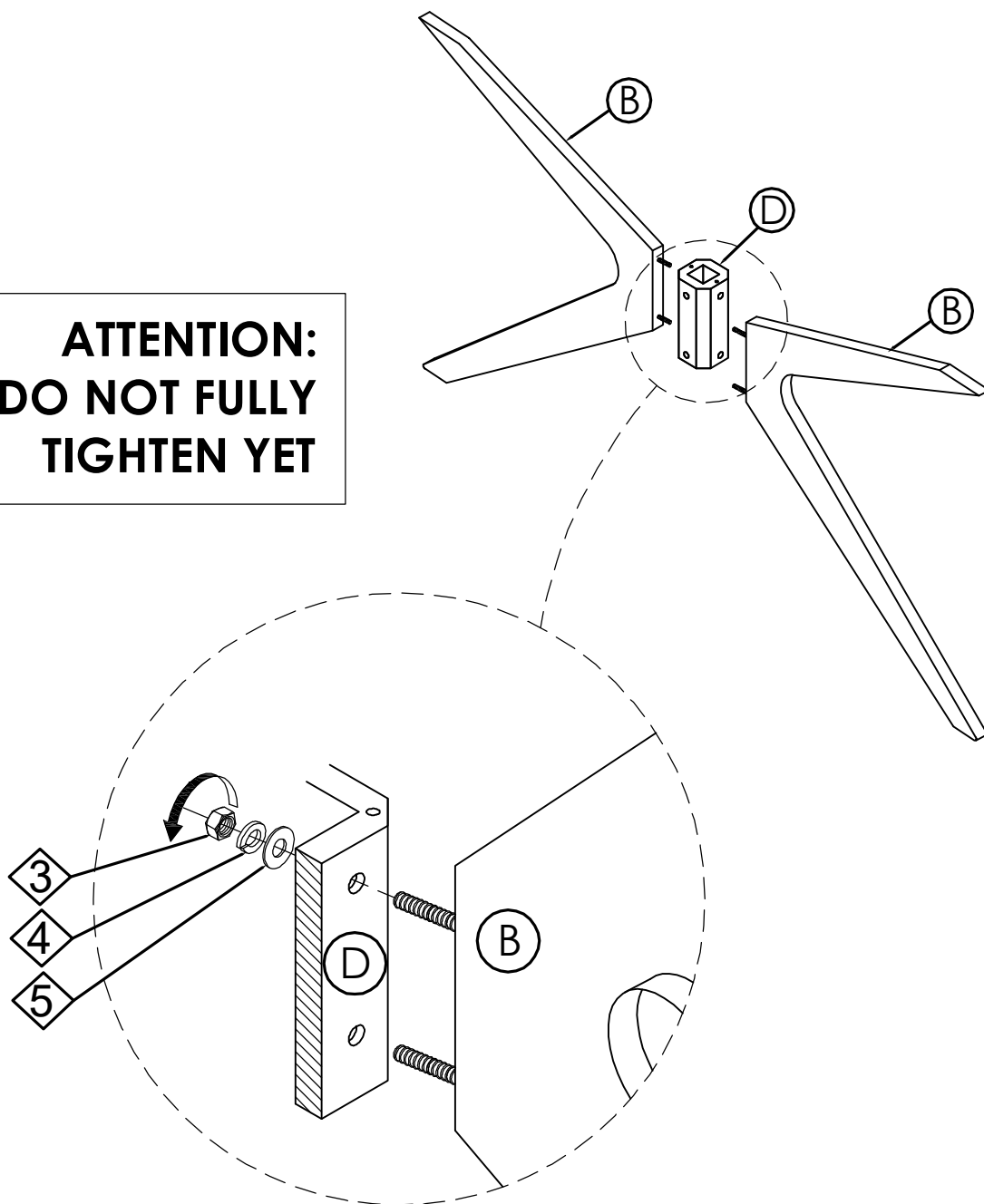
7 x4





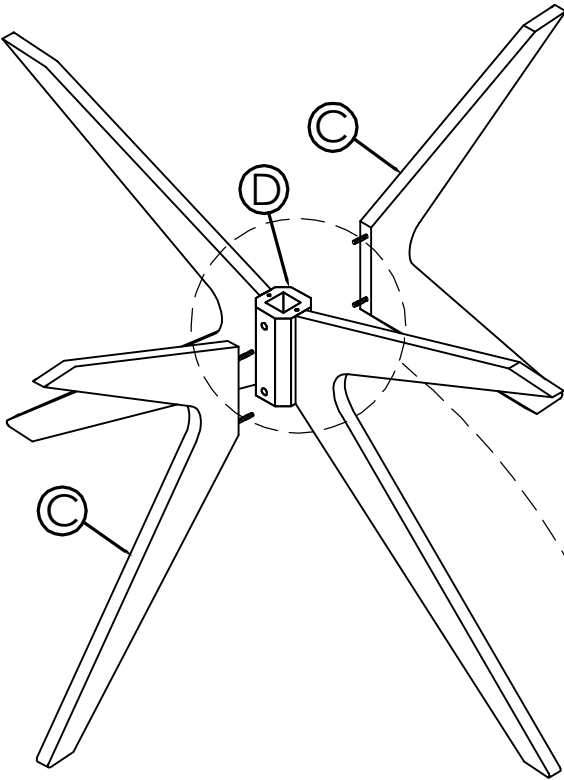
1

**ATTENTION:
DO NOT FULLY
TIGHTEN YET**

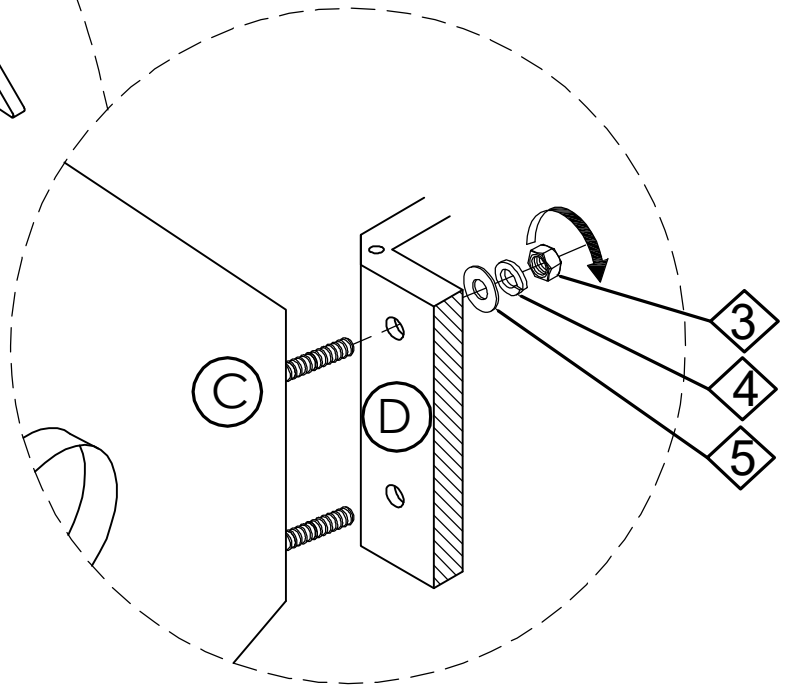




2



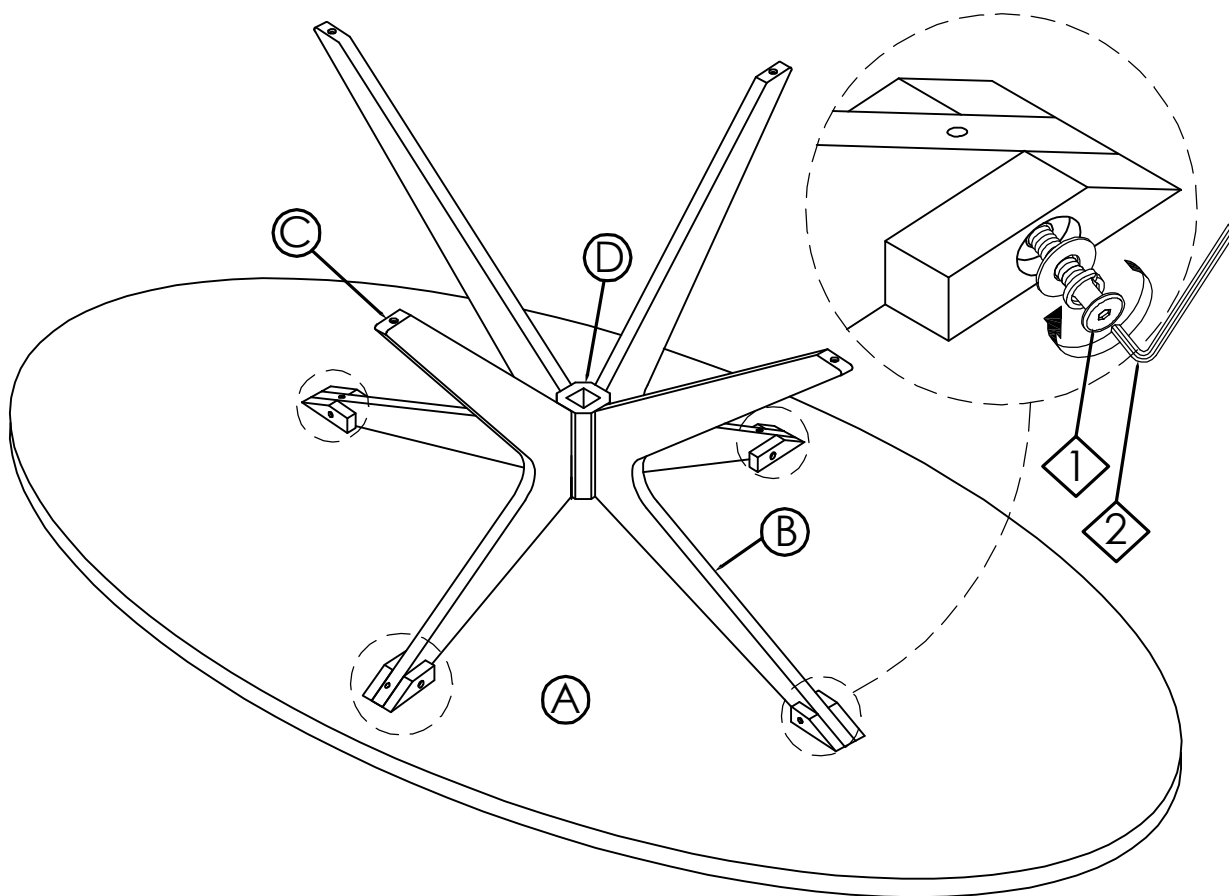
**ATTENTION:
DO NOT FULLY
TIGHTEN YET**





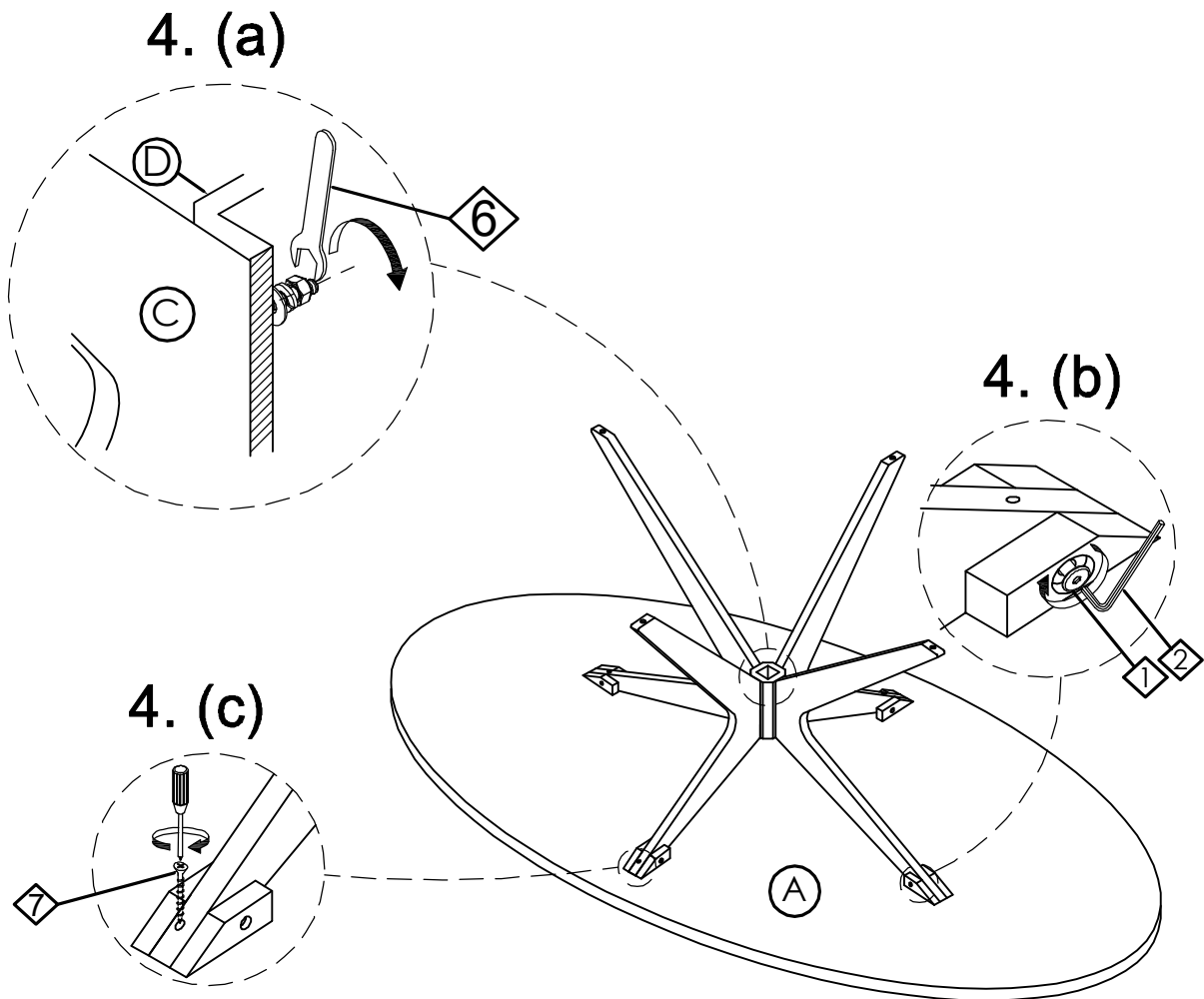
3

**ATTENTION:
DO NOT FULLY
TIGHTEN YET**





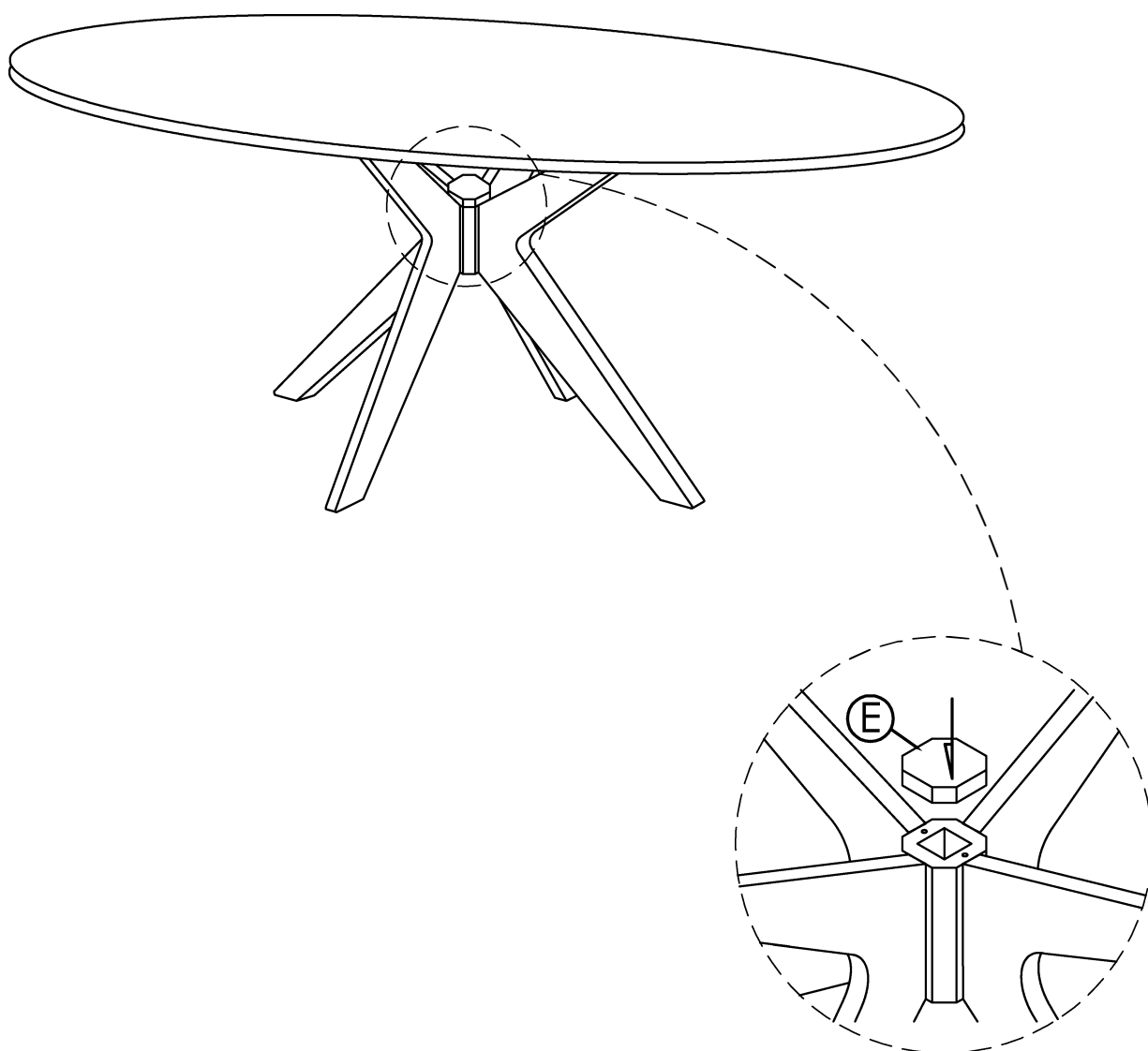
4



**ATTENTION:
FULLY TIGHTEN
THE BOLT**



5





6

