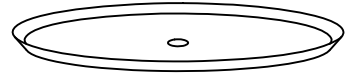
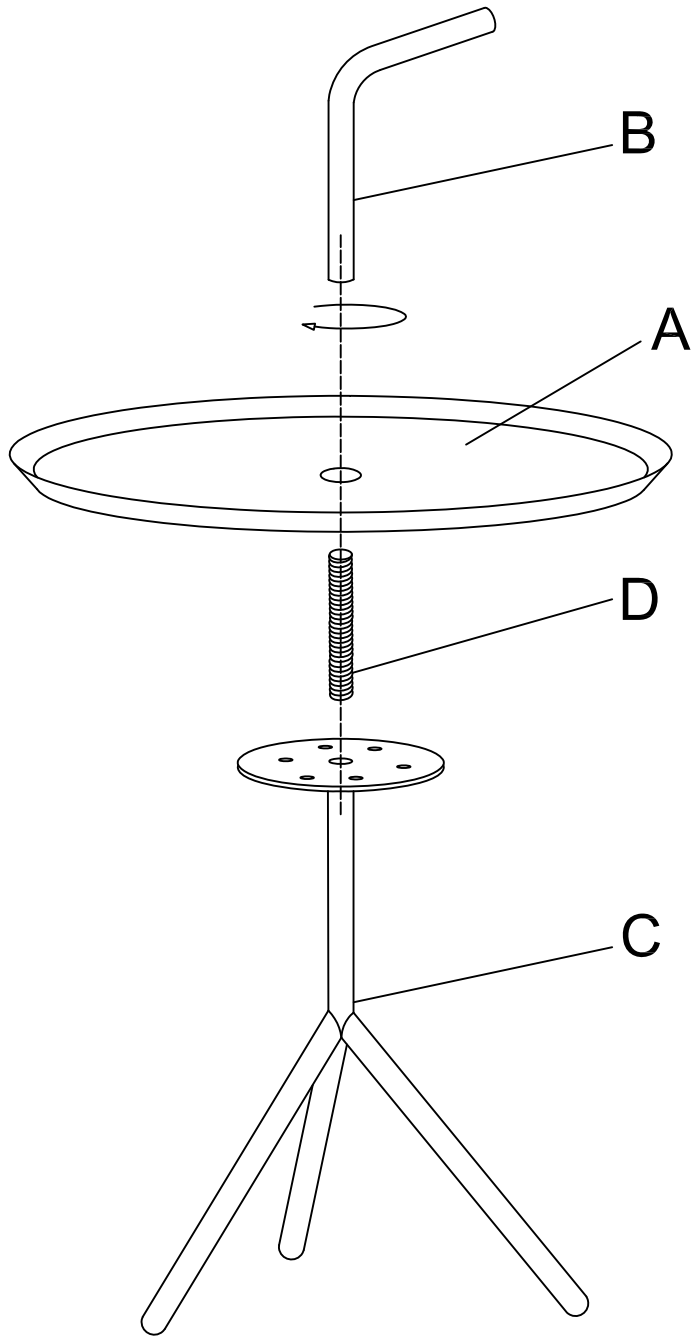
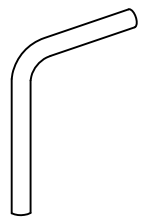


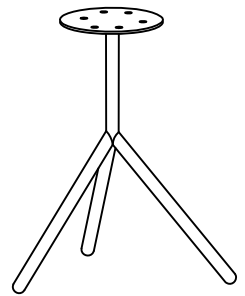
Assembly Instruction



A 1pc



B 1pc



C 1pc



D 1pc