



20 min



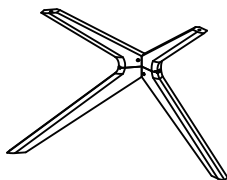
x2



x2



① x1



② x2



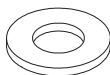
③ x2



④ x2



Ax8 (M8x25mm)



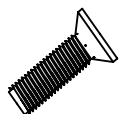
Bx8 (M8x20mm)



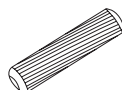
Cx16 (M8)



Dx1 (M5)



Ex8 (M8x20mm)



Fx2 (∅10x40mm)



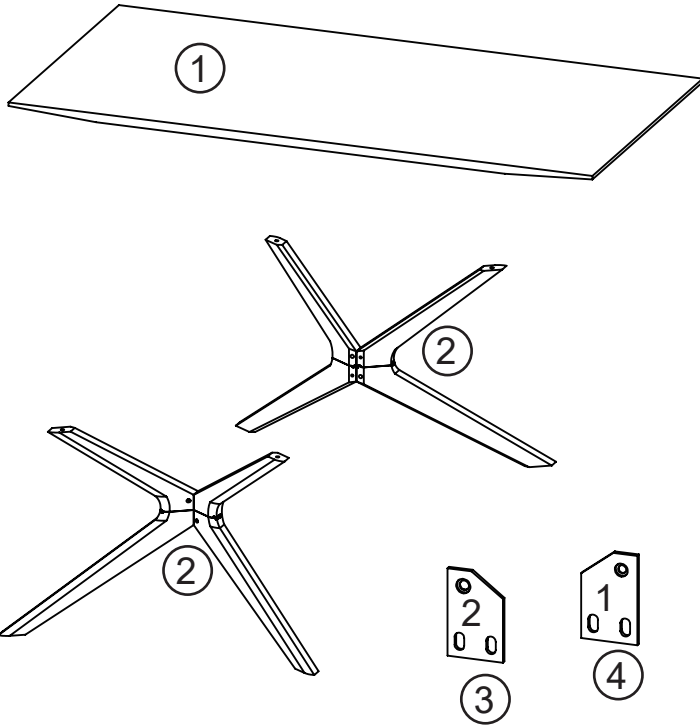
Gx4 (M6x50mm)



Hx4



Jx1 (M4)

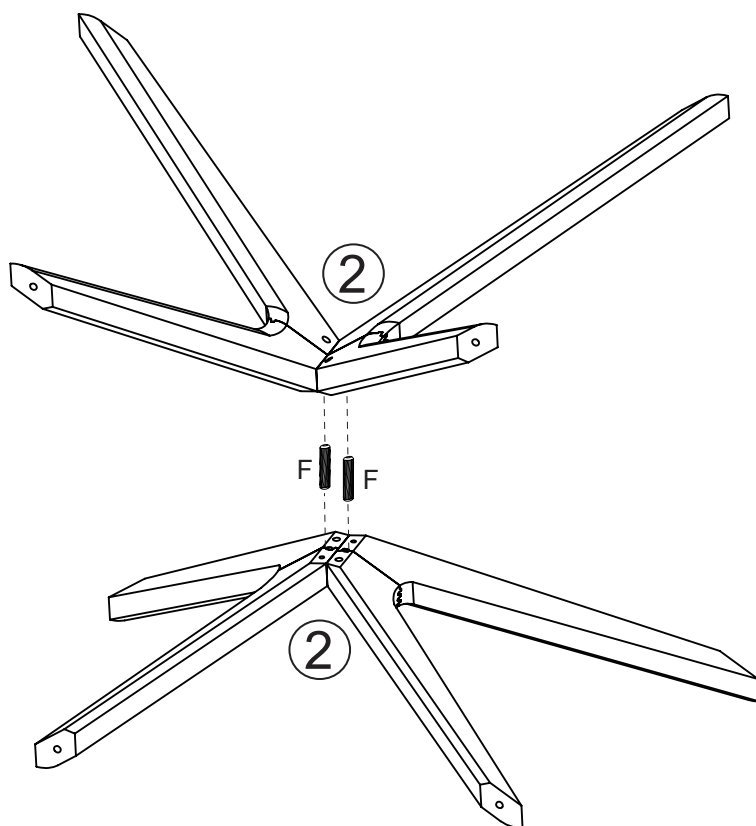




1



Fx2





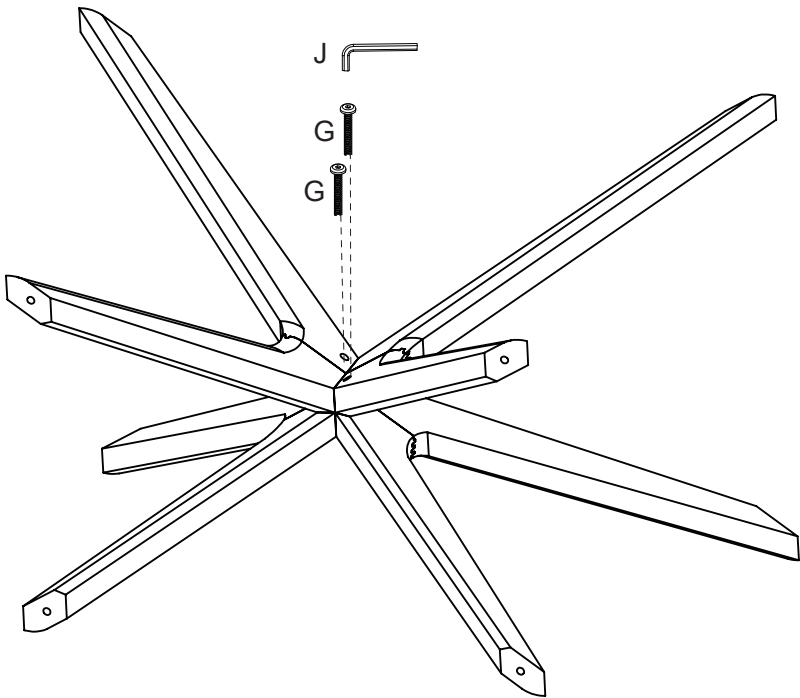
2



Gx2



Jx1





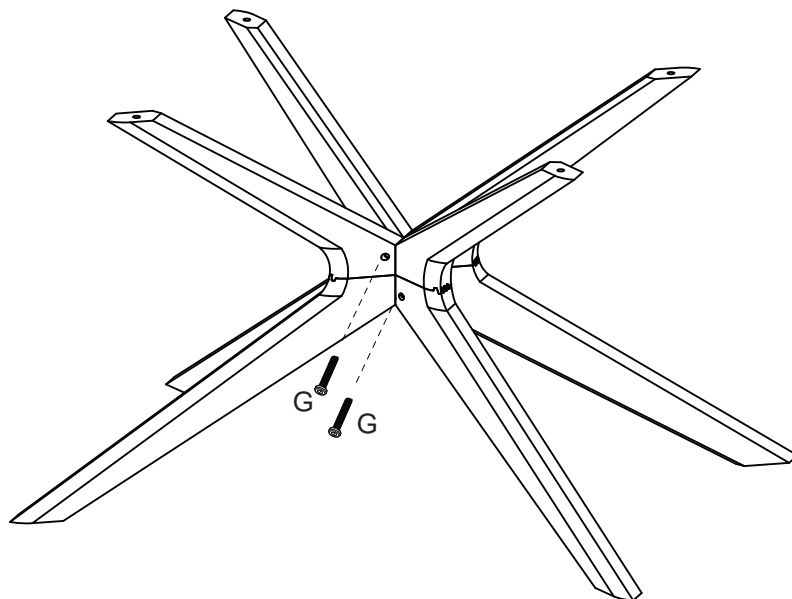
3



Gx2

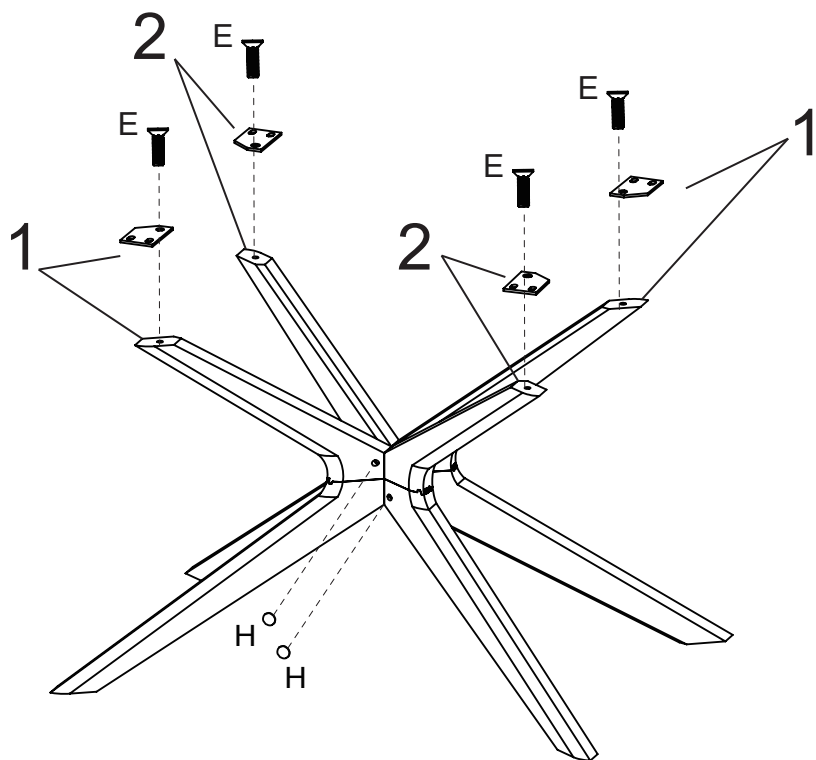
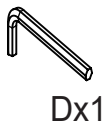


Jx1





4







3



Ax8



Bx8



Cx8



Ex1

