

ASSEMBLY INSTRUCTIONS



A:3PCS



B:3PCS



C:1PC

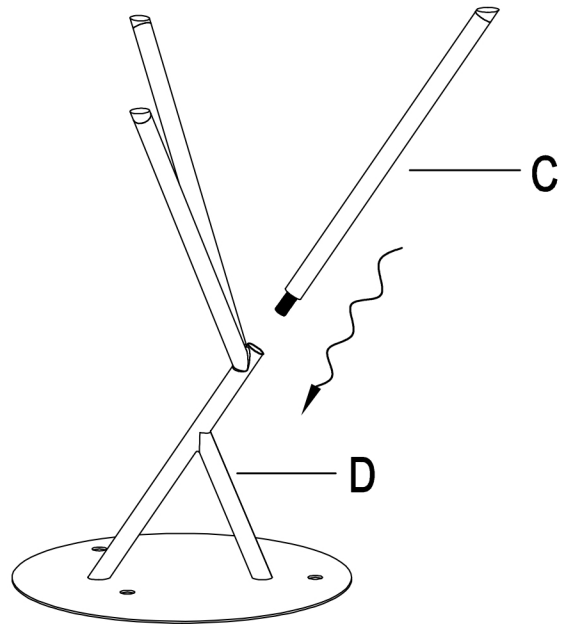


D:1PC



Table Top
E:1PC

STEP 1:



STEP 2:

