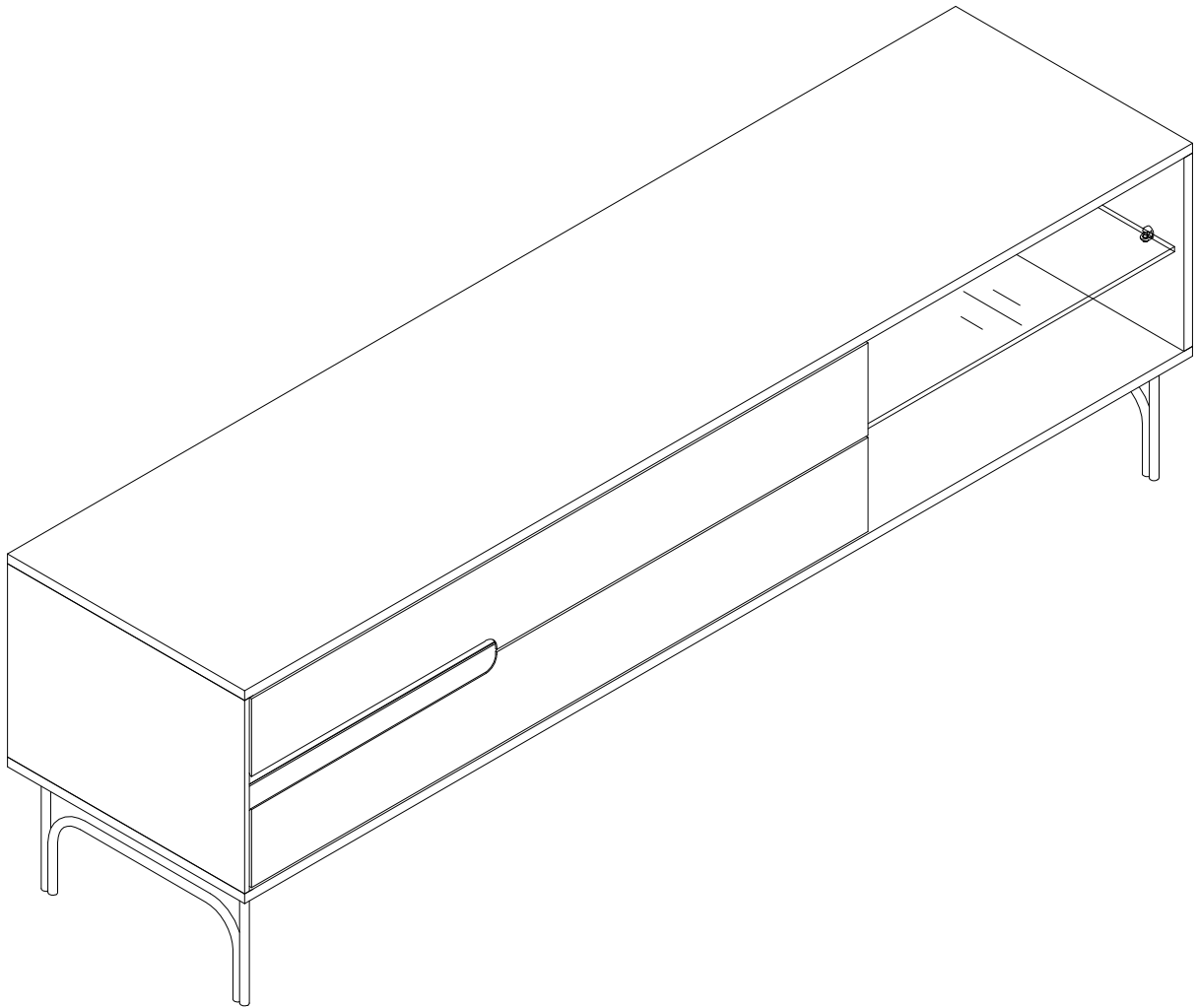
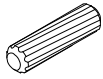
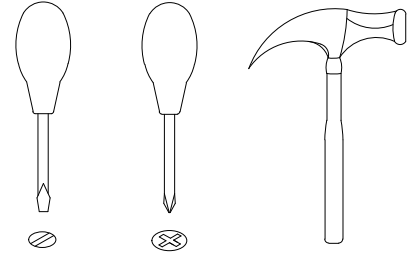
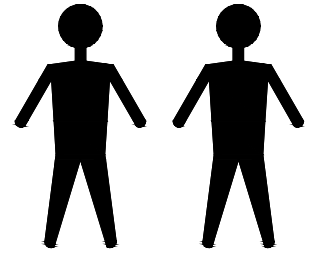


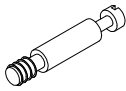
CP1708TV



CP1708TV



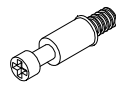
A x12
Spec: $\varnothing 8 \times 30$



B x6
Spec: $\varnothing 7 \times L30$



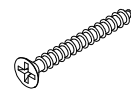
C x6
Spec: $\varnothing 15 \times H12$



D x12
Spec: $\varnothing 6 \times L28$



E x12
Spec: $\varnothing 12 \times H9$



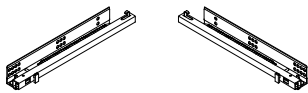
F x8
Spec: $\varnothing 3.5 \times L35$



G x8
Spec: $\varnothing 6 \times 30$



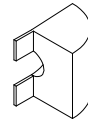
H x12
Spec: $\varnothing 6 \times L8$



I x2
Spec: L400



J x14
Spec: $\varnothing 3.5 \times L16$



K x14
Spec: H13



L x10
Spec: M6*15



M x10
Spec: $\varnothing 8 \times \varnothing 14$



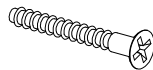
N x1
Spec: 10g



O x18
Spec:



P x8
Spec: $\varnothing 10$



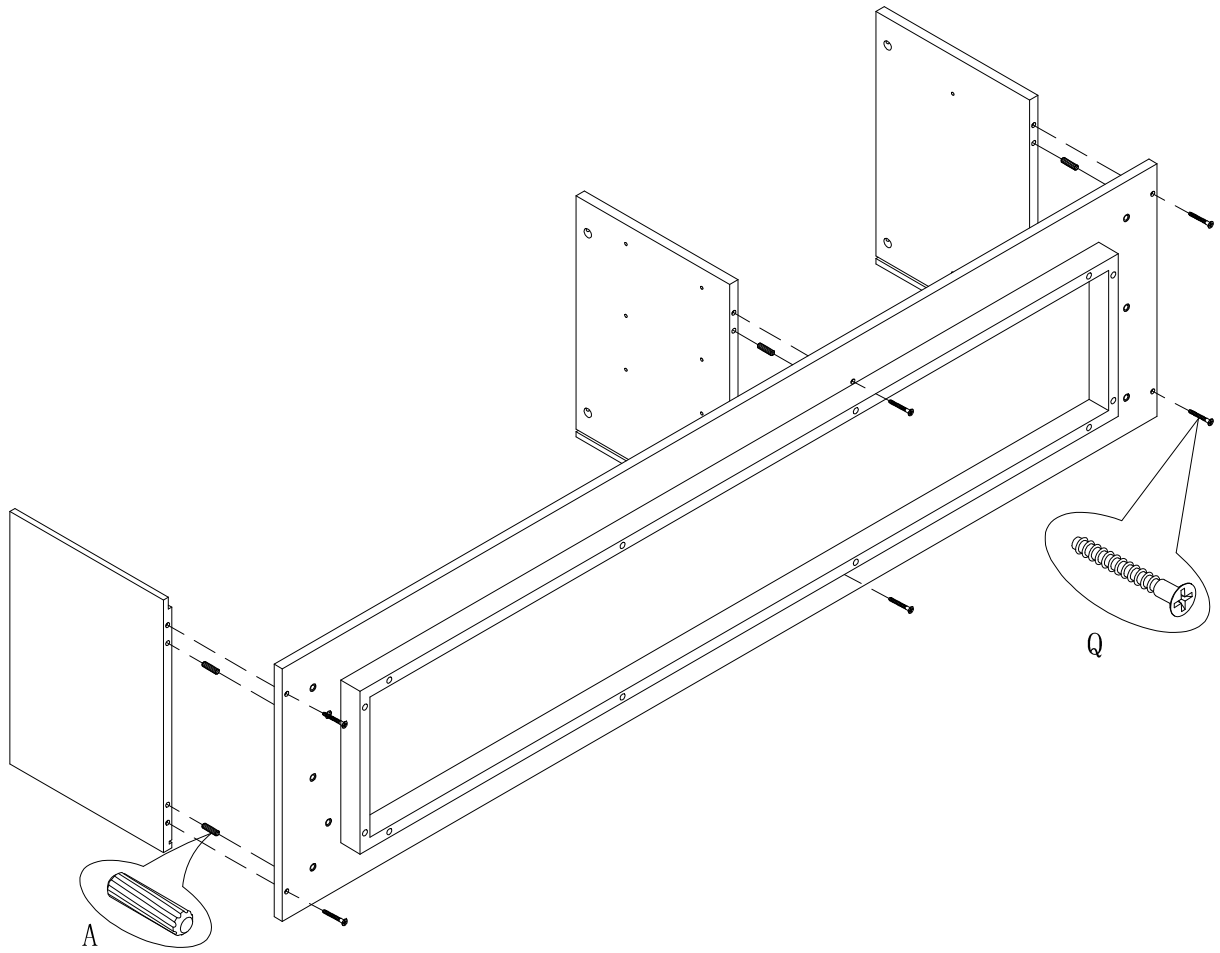
Q x6
Spec: $\varnothing 5 \times L38$



R x4
Spec: $\varnothing 60 \times 25$

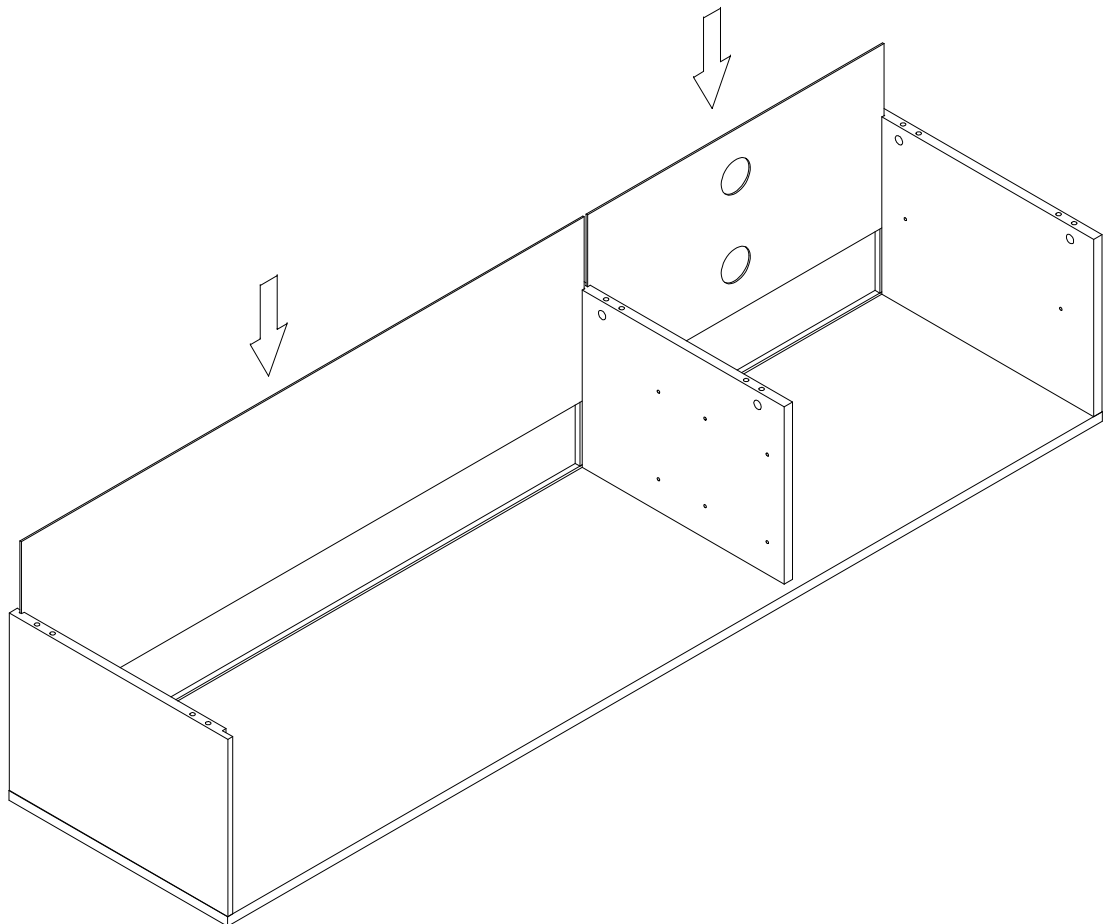


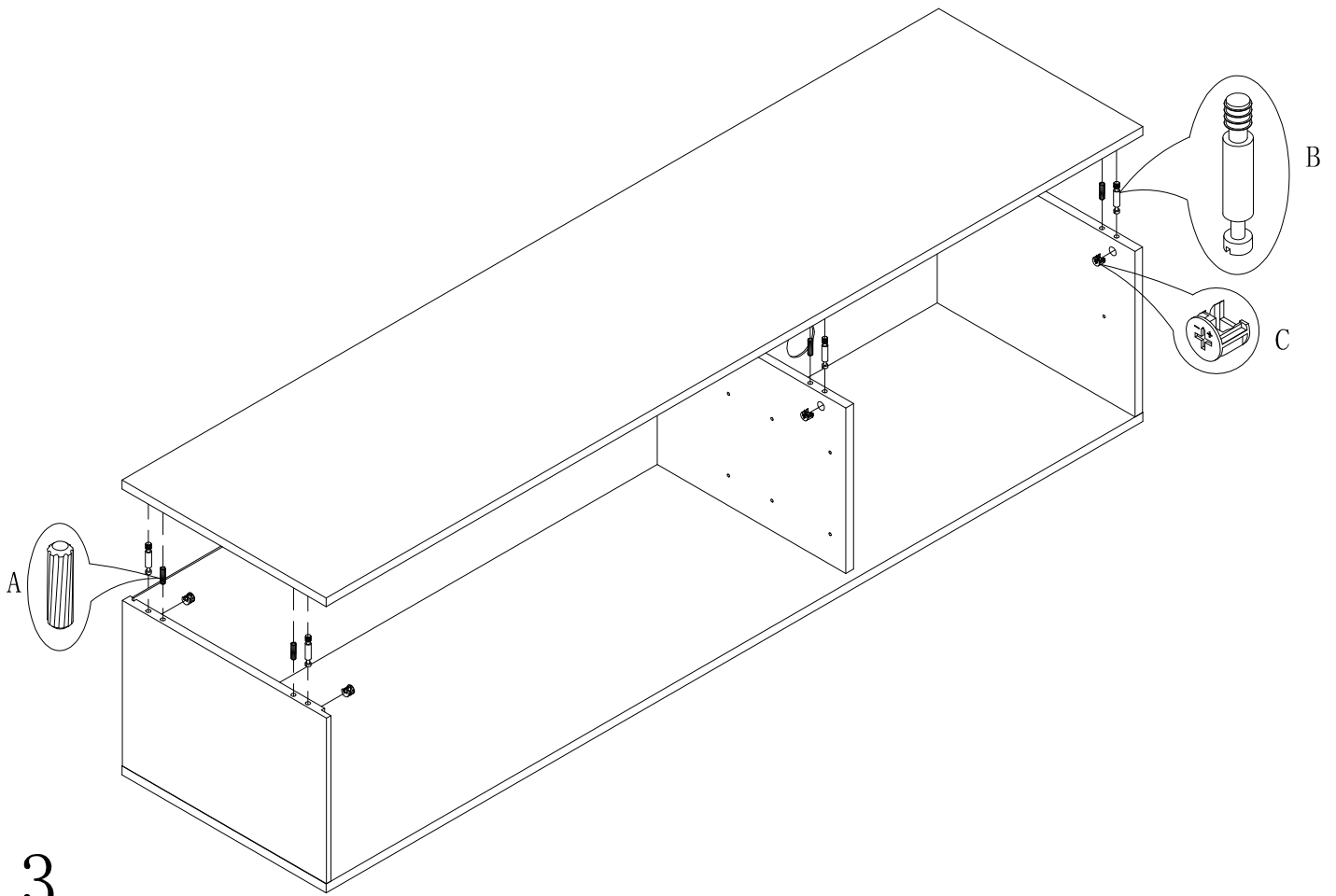
AAA x8
Spec: $\varnothing 3.8 \times L12$



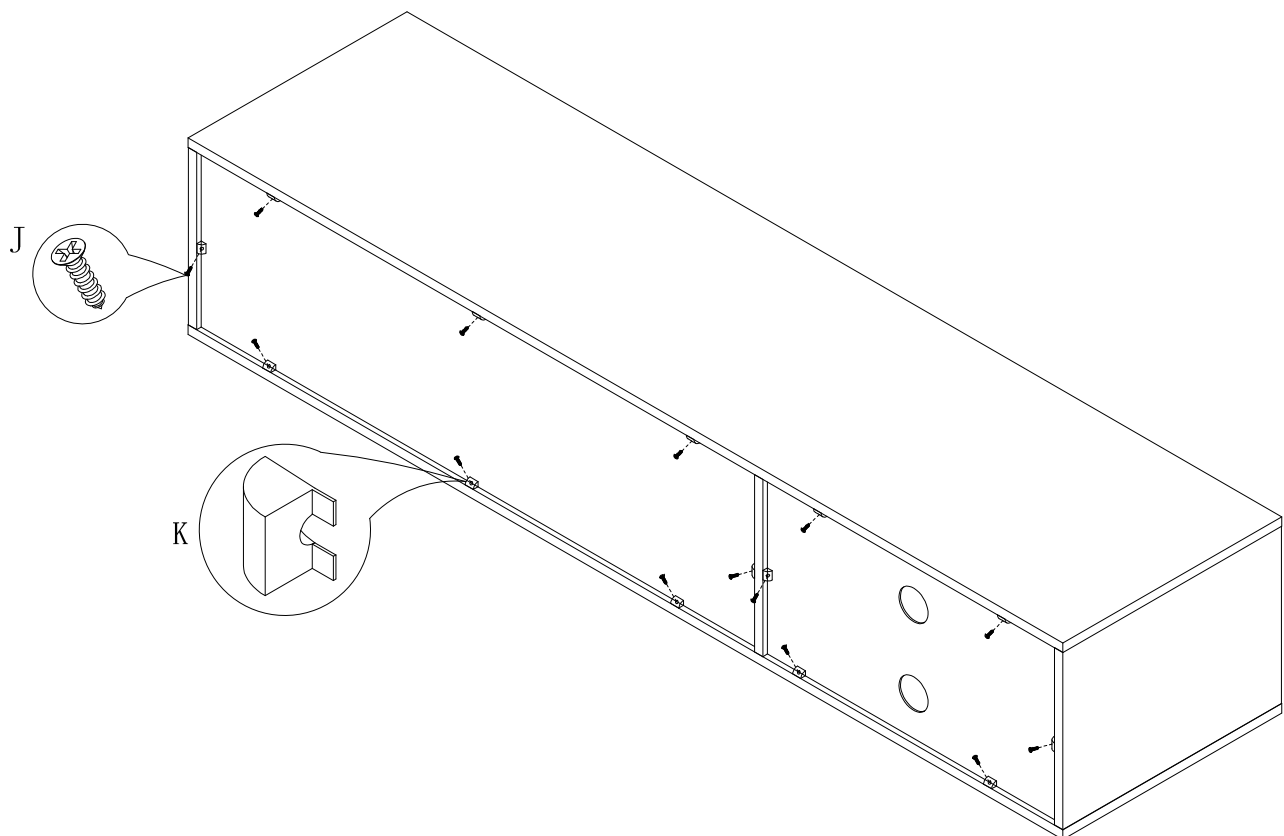
1

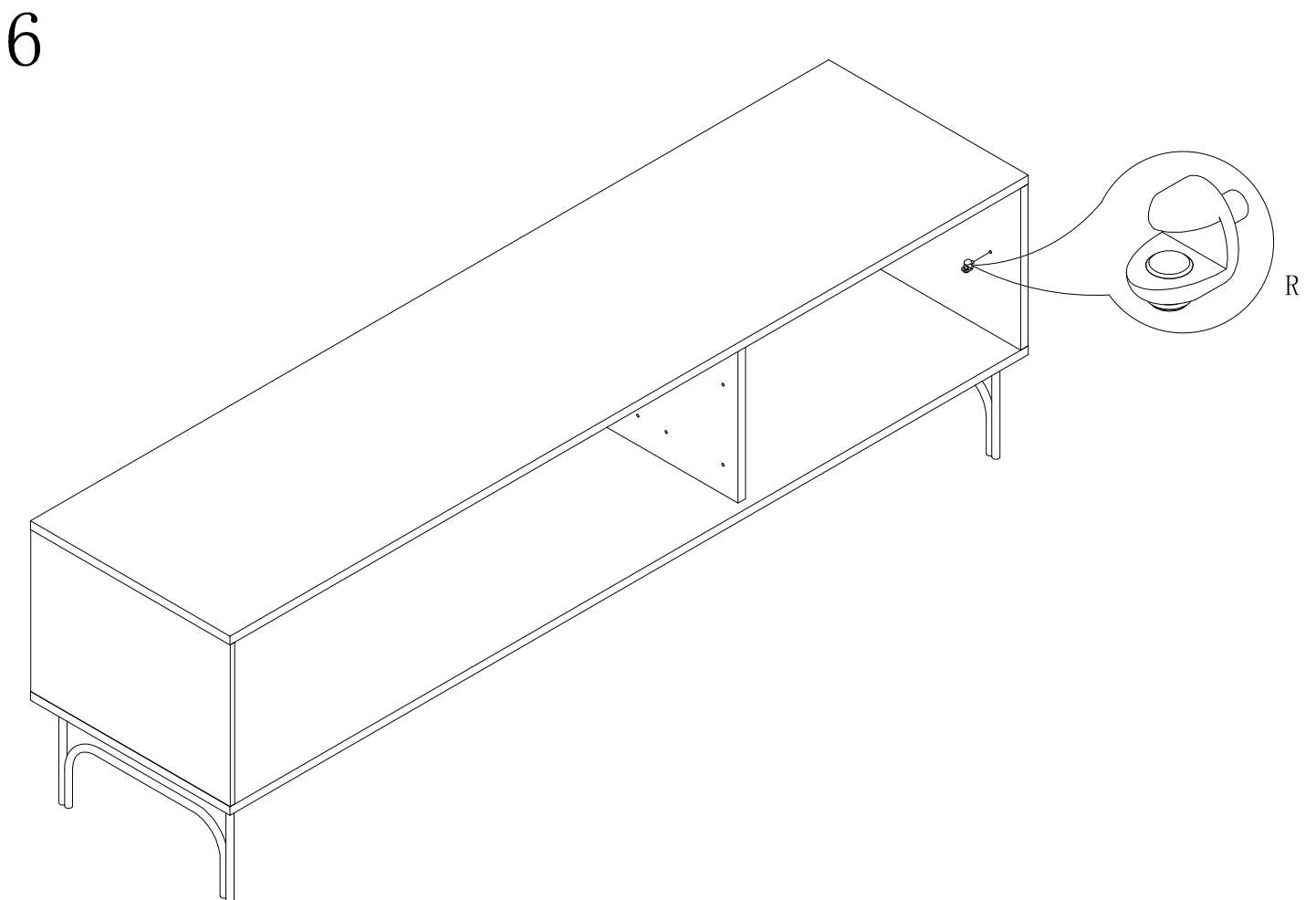
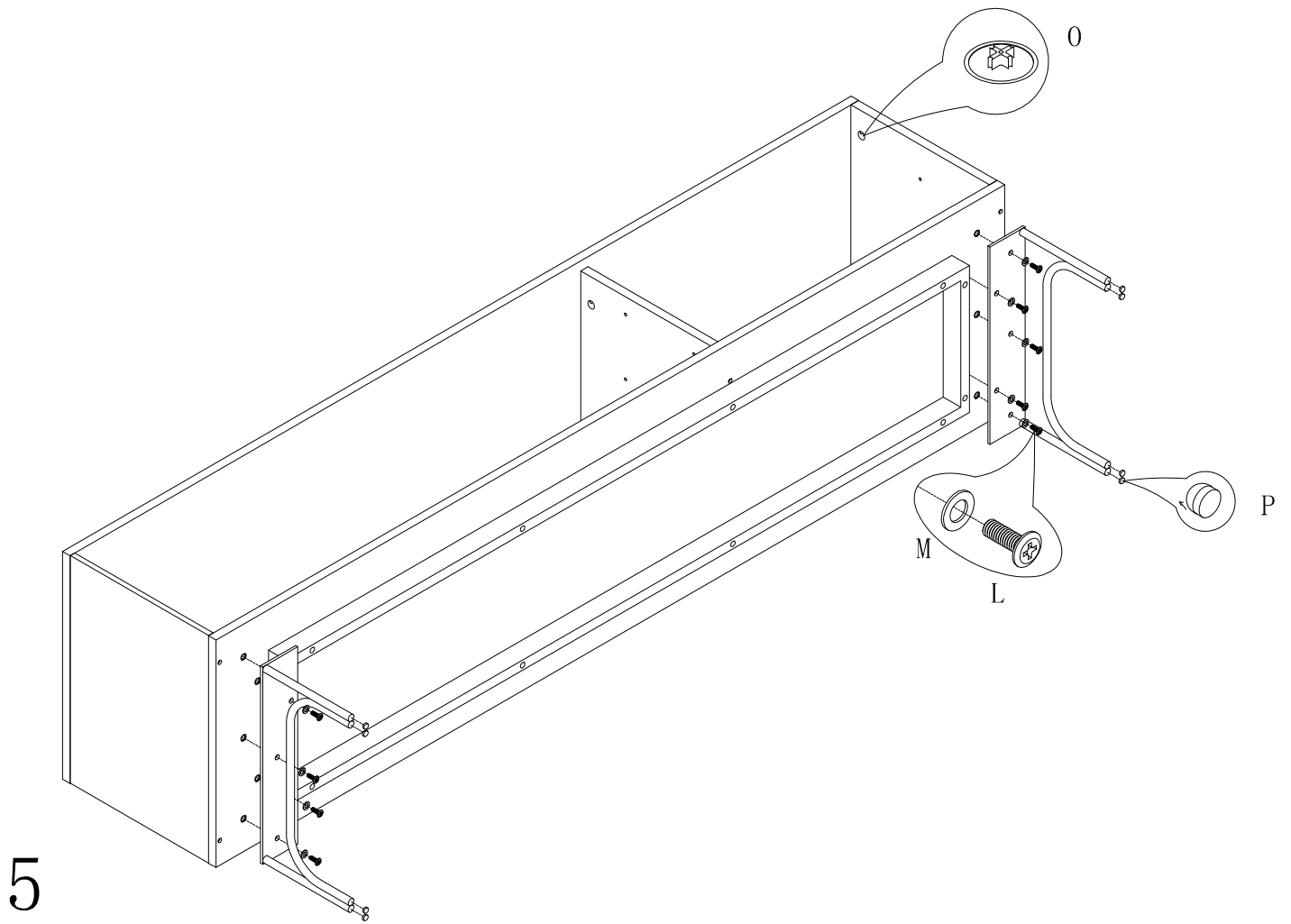
2

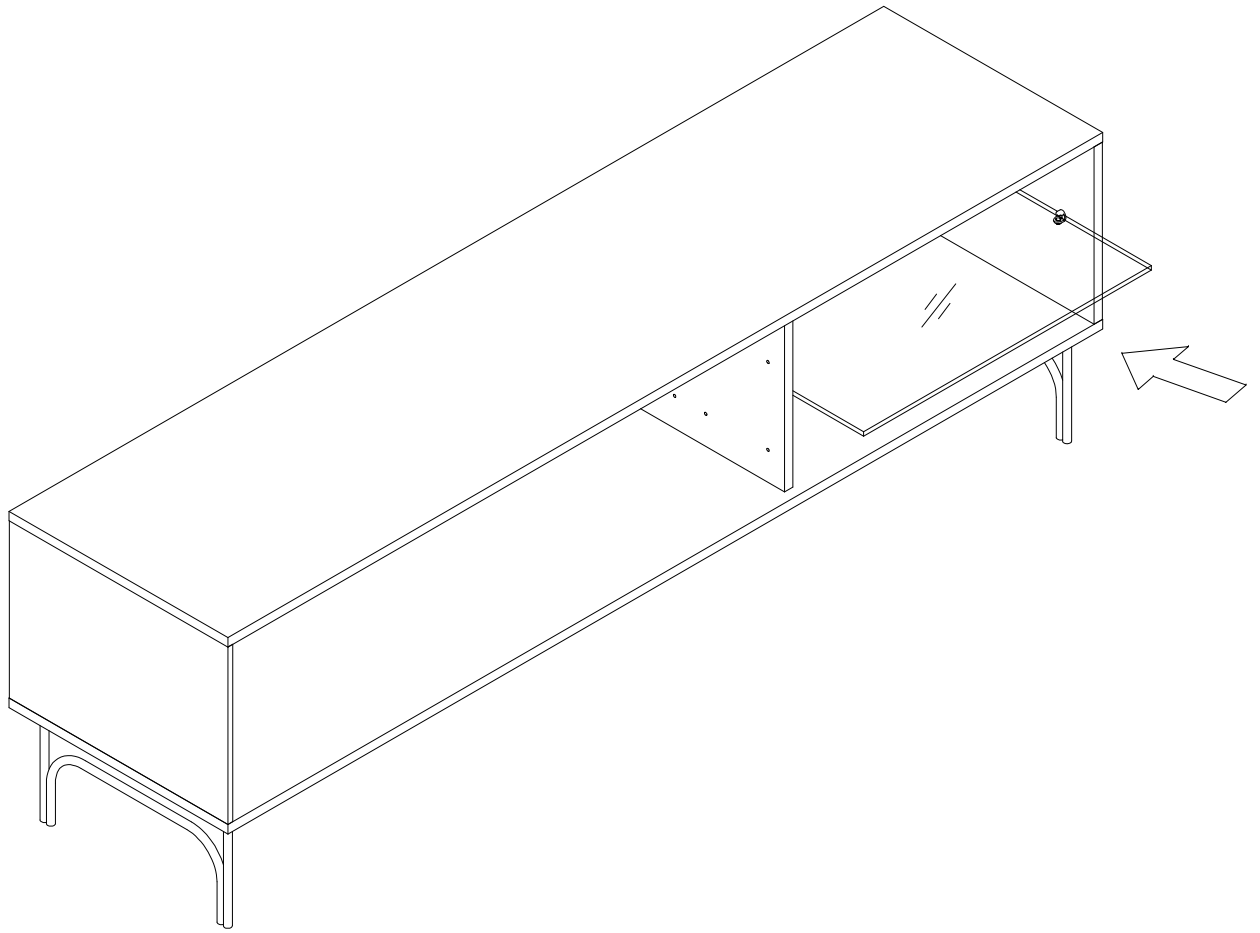




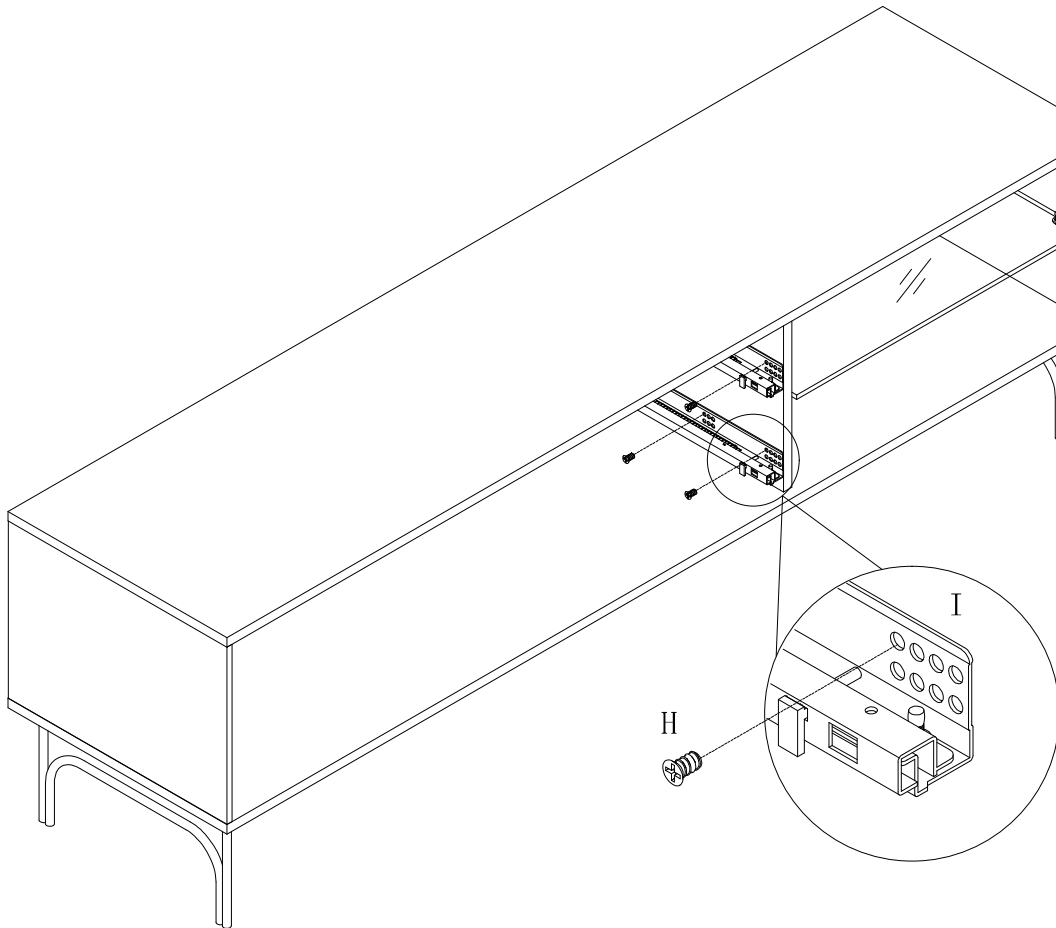
4

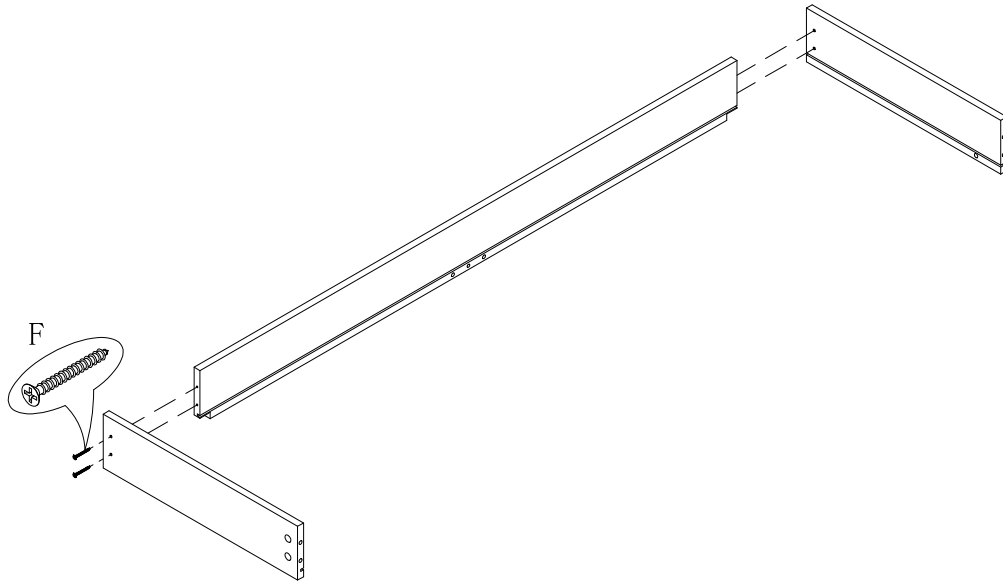






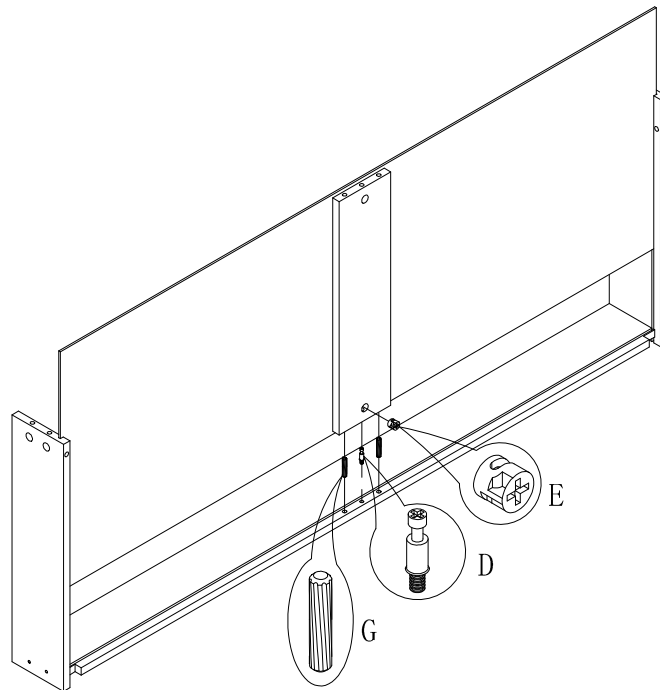
8

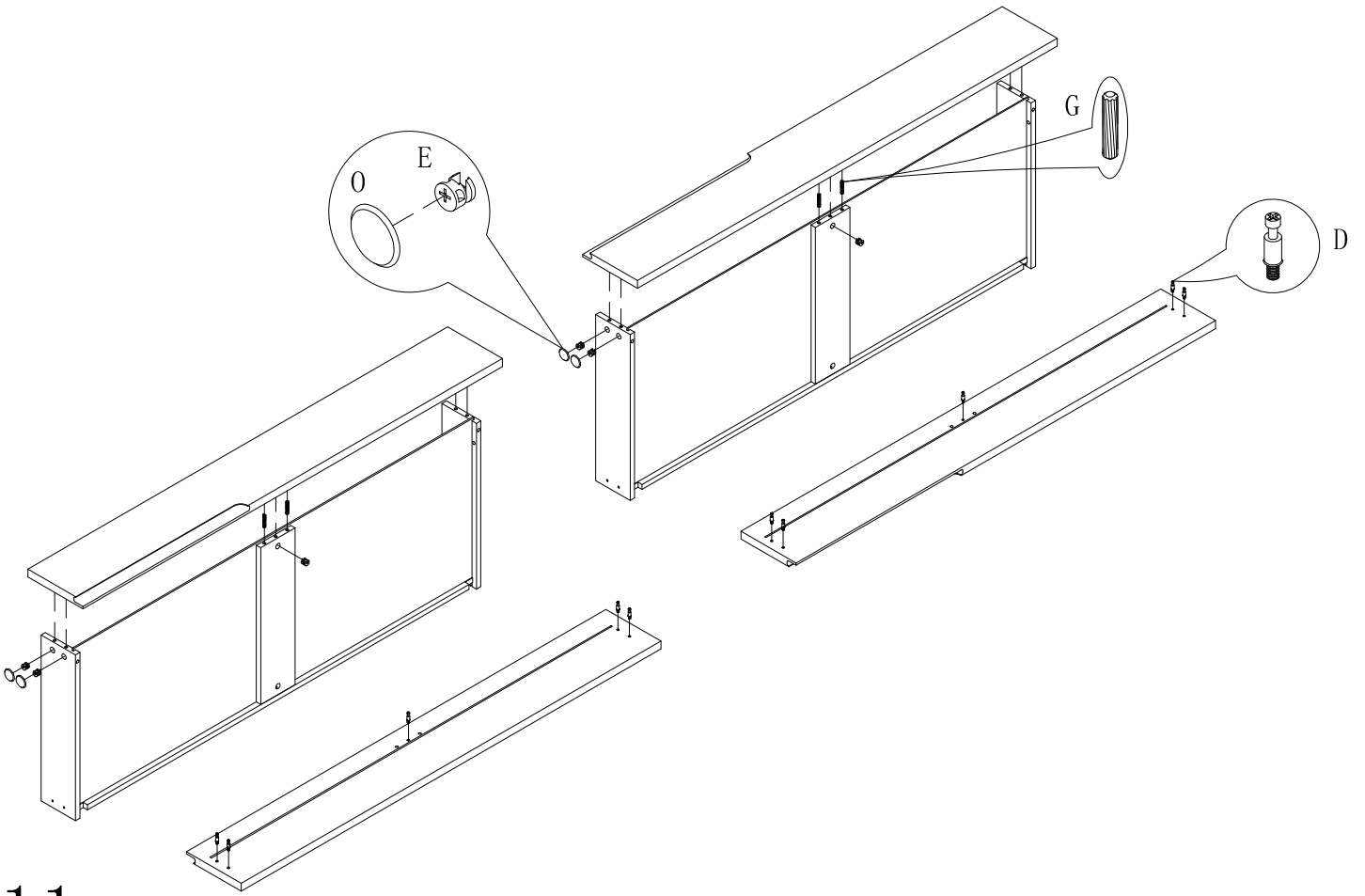




9

10





11

12

