






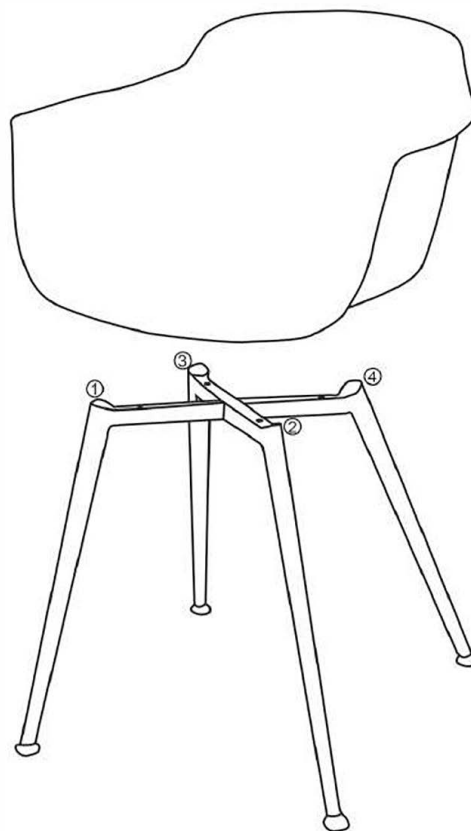
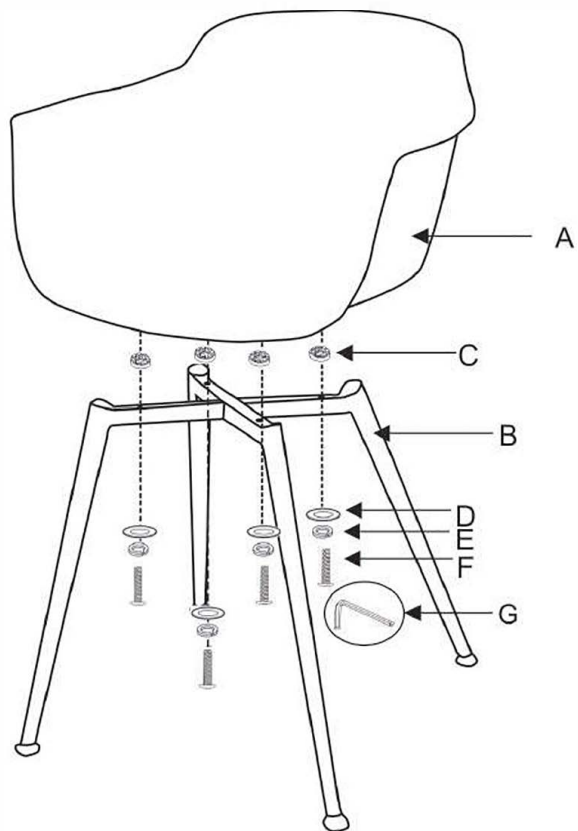
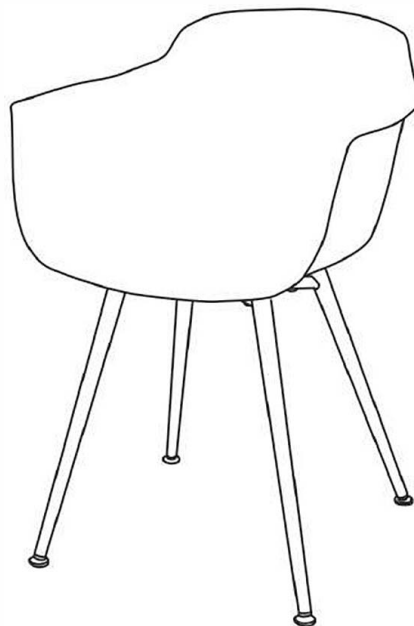


Component List:

No.	Pictures	Quantity
A		1PC
B		1PC
C		4PCS
D		4PCS
E		4PCS
F		4PCS
G		1PC

ASSEMBLY INSTRUCTION



Higher: ① ②
Lower: ③ ④