







ASSEMBLY INSTRUCTION

DINING TABLE

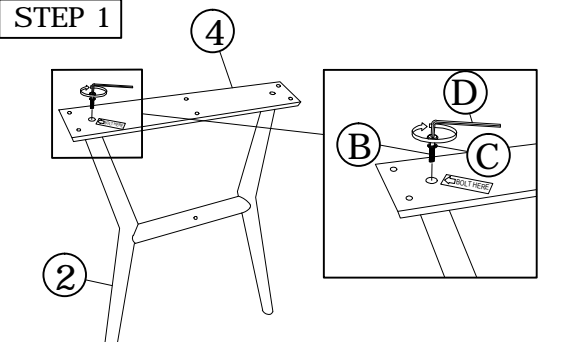
Read instruction carefully. Refer hardware and furniture parts list for guidance. Be sure all parts are complete. Before assembling, place all wooden furniture part on a clean and flat soft surface to prevent scratches. refer steps provided as assembling guide.

CAUTION :

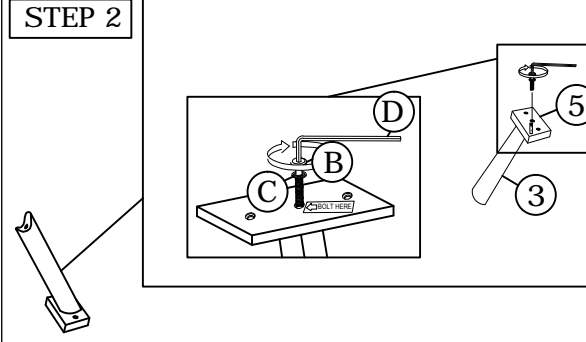
1. Create a clean assembly area to ensure the table top will not be scratched during assembly.
2. Do not FULLY-TIGHTEN the nuts or bolts until all are in place.
3. To prevent thread damage, ensure that nuts or bolts are not over tighten.
4. Hardware are to be kept out reach from children.
5. Wipe the surface clean with a dry and soft cloth.

PART LIST			HARDWARE LIST		
ITEM	DESCRIPTION	QTY	ITEM	DESCRIPTION	QTY
1	TABLE TOP	1 PC	A	JCBC SCREW M6 x 60MM 	2 PCS
2	TABLE LEG	2 SETS	B	JCBC SCREW M6 x 30MM 	22 PCS
3	TABLE LEG SUPPORTER	2 PCS	C	SPRING WASHER 	24 PCS
4	LONG APRON	2 PCS	D	ALLEN KEY M4 (BALL SHAPE) 	1 PC
5	SHORT APRON	2 PCS	E	WOOD BUTTON 	2 PCS
			F	ADJUSTABLE SCREW 	4 PCS

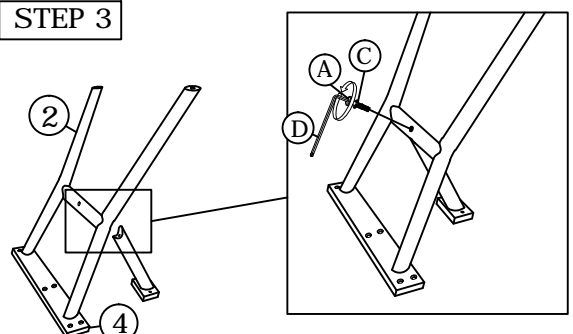
STEP 1



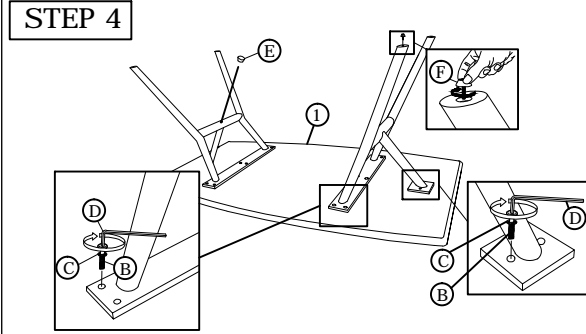
STEP 2

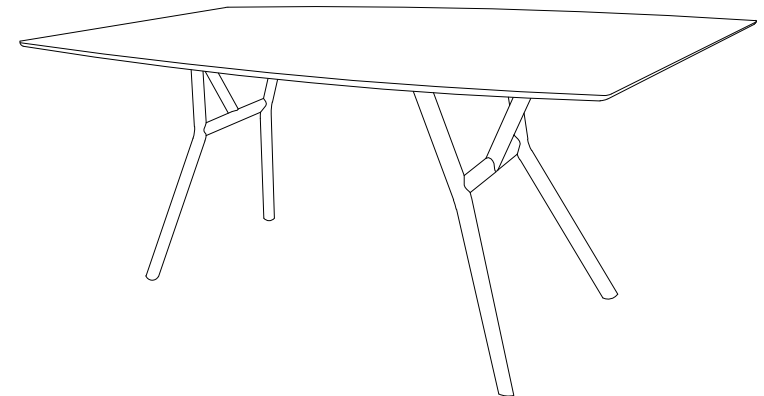


STEP 3



STEP 4





COMPLETED ASSEMBLY