



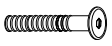


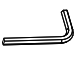
## CODING

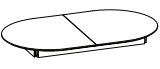

- 146133
- 146134
- 146135

ISO 9001:2015  
Reg. No. 000435-1-MY-1-QMS

Read the instructions carefully. Remove all the wrappings, staples and straps from the carton. Refer to the hardware and furniture part list for guidance. Make sure that you have all the parts before you start assembling. Please all the wooden furniture parts on a clean, flat and soft surface, such as a carpet or rubbermat to prevent scratches.

**CAUTION**  
KEEP ALL THE PARTS OUT OF CHILDREN'S REACH

ITEM	PHOTO	HAREWARE NAME	QTY
(A)		M8 x 50mm	8
(B)		M8	8
(C)		M8	8
(D)		M5	1

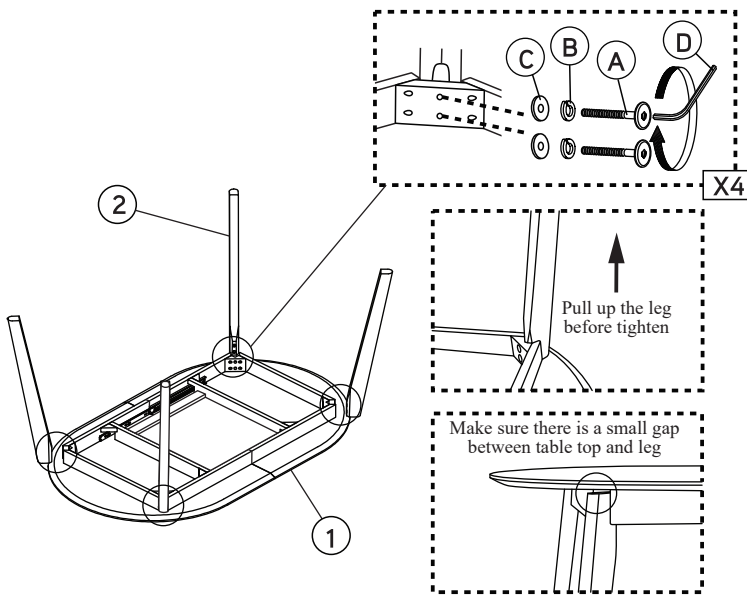
ITEM	PHOTO	PARTS NAME	QTY
(1)		Table Top	1
(2)		Table Leg	4

**CODING**  
- 146133  
- 146134  
- 146135

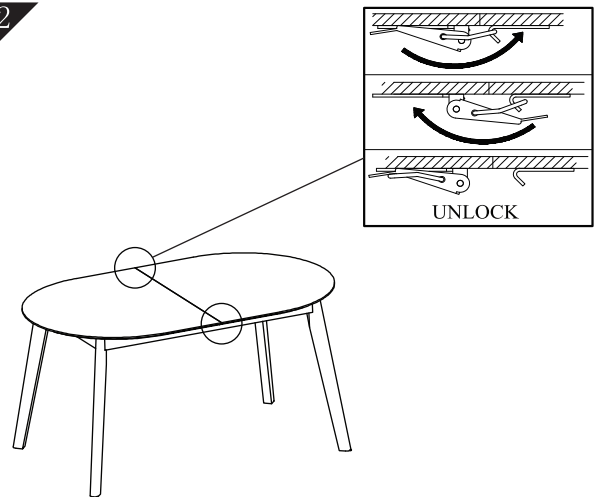


ISO 9001:2015  
Reg. No. 000435-1-MY-1-QMS

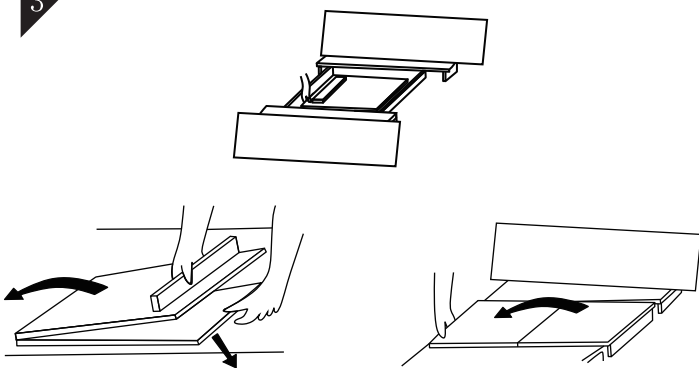
1



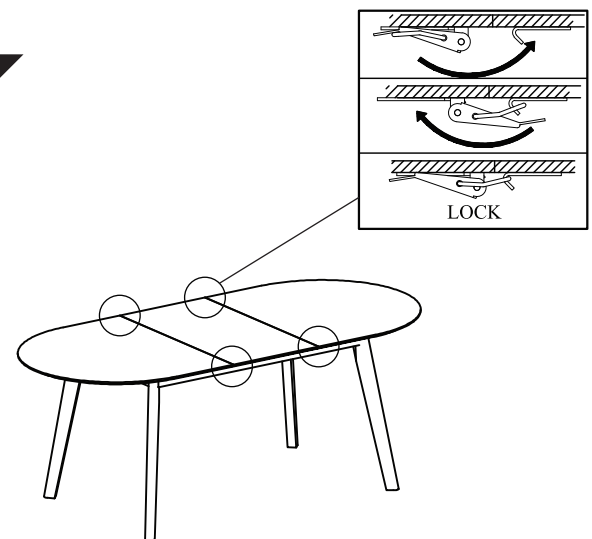
2



3



4



**GUIDELINE FOR OPENING THE LEAF**