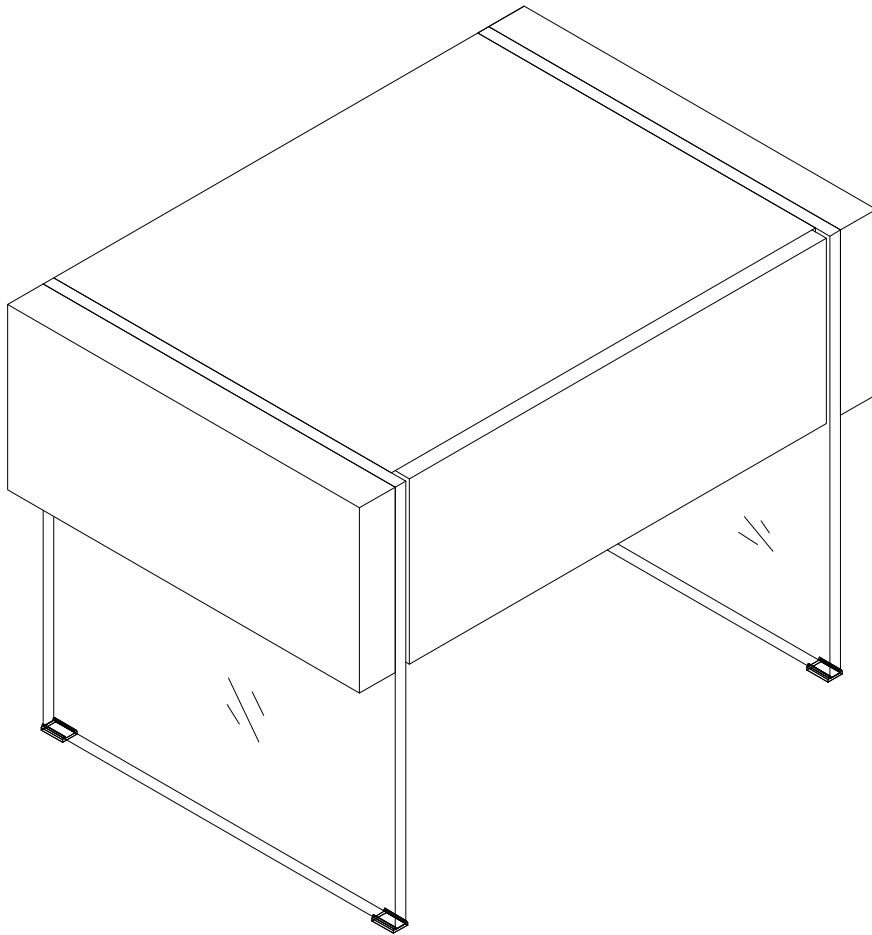
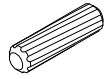
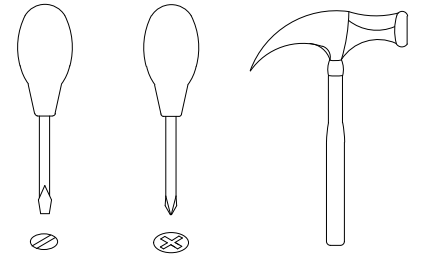
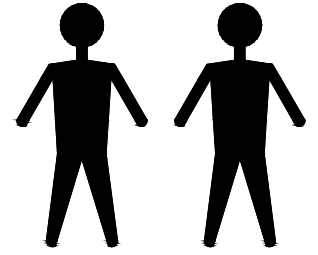


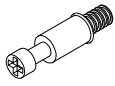
# CP1803H



# # CP1803H



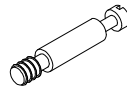
A x12  
Spec:  $\varnothing 8 \times 30$



B x4  
Spec:  $\varnothing 6 \times L28$



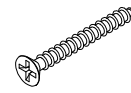
C x4  
Spec:  $\varnothing 12 \times H9$



D x8  
Spec:  $\varnothing 7 \times L30$



E x8  
Spec:  $\varnothing 15 \times H12$



F x4  
Spec:  $\varnothing 3.5 \times L35$



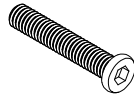
G x6  
Spec:  $\varnothing 6 \times L9$



H x4  
Spec:



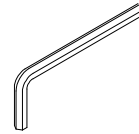
I x8  
Spec:  $\varnothing 11.8 \times \varnothing 10 \times L11$



J x8  
Spec:  $5/16 \times 45$



K x8  
Spec:  $\varnothing 8 \times \varnothing 14$



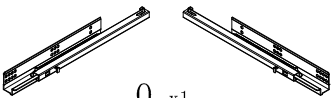
L x1  
Spec: 5#



M x4  
Spec:



N x1  
Spec: 10g



O x1  
Spec: L350



P x12  
Spec:



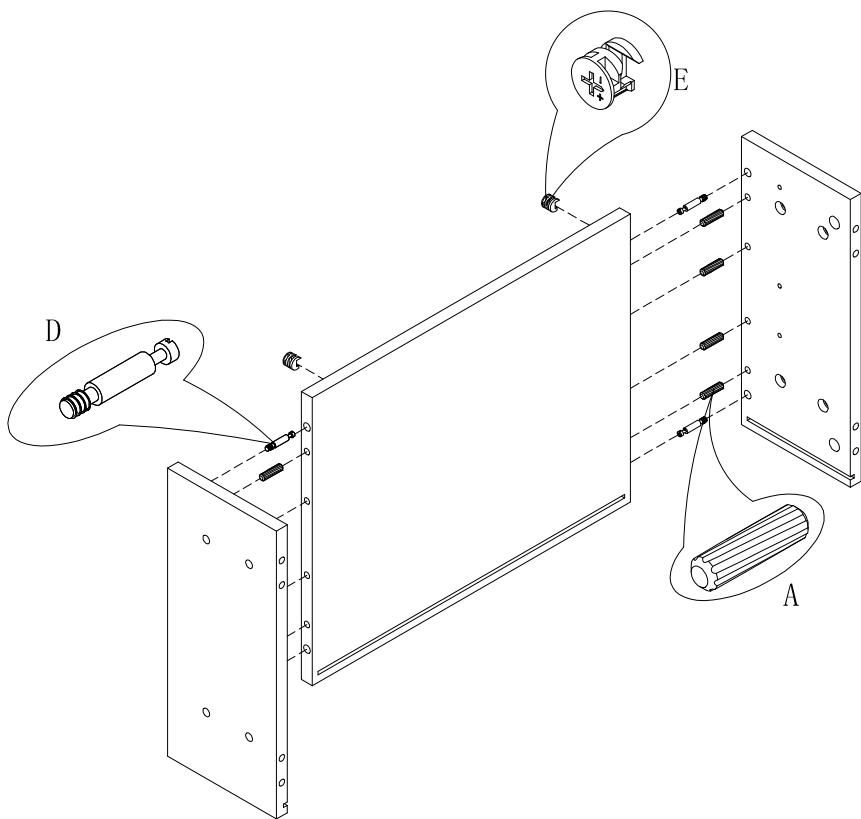
Q x4  
Spec: H13



R x4  
Spec:  $\varnothing 3.5 \times L16$

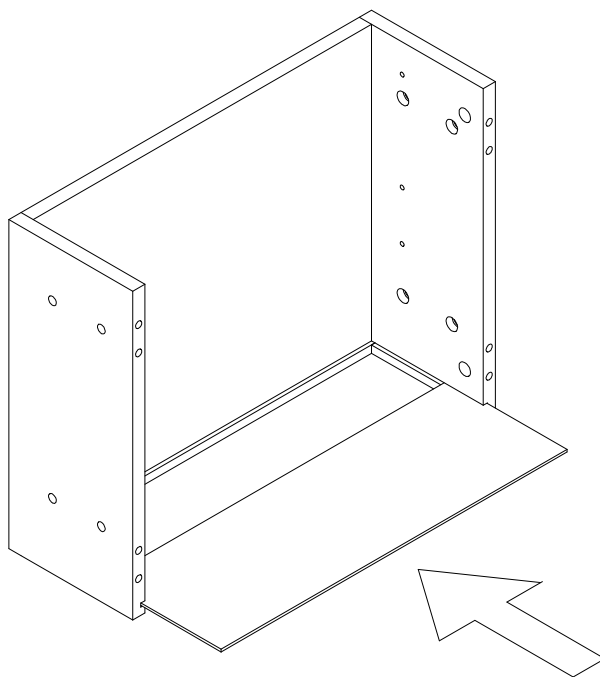


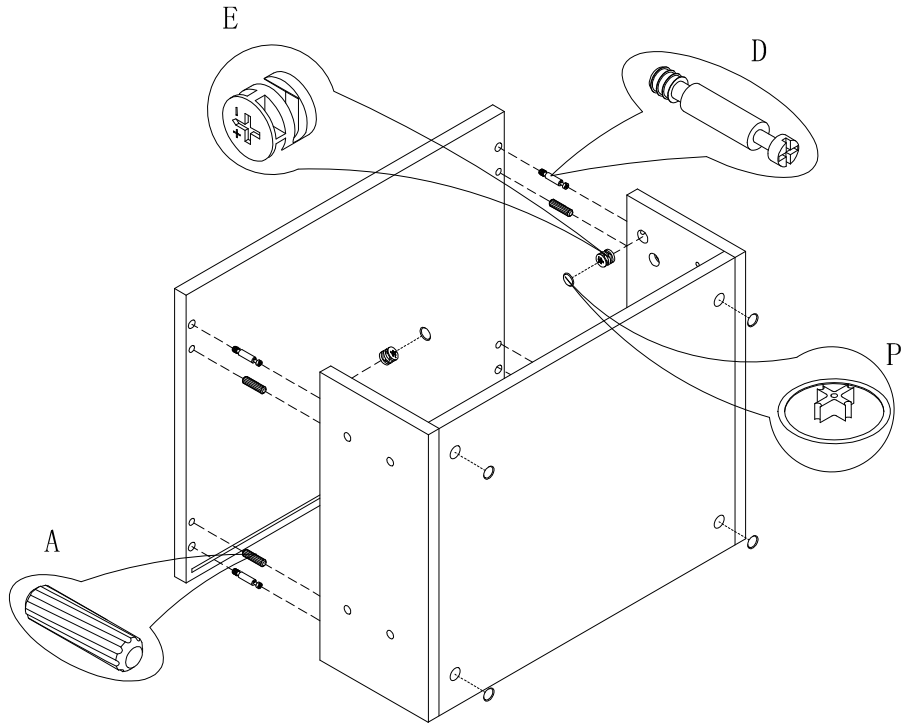
AAA x4  
Spec:  $\varnothing 3.8 \times L12$



1

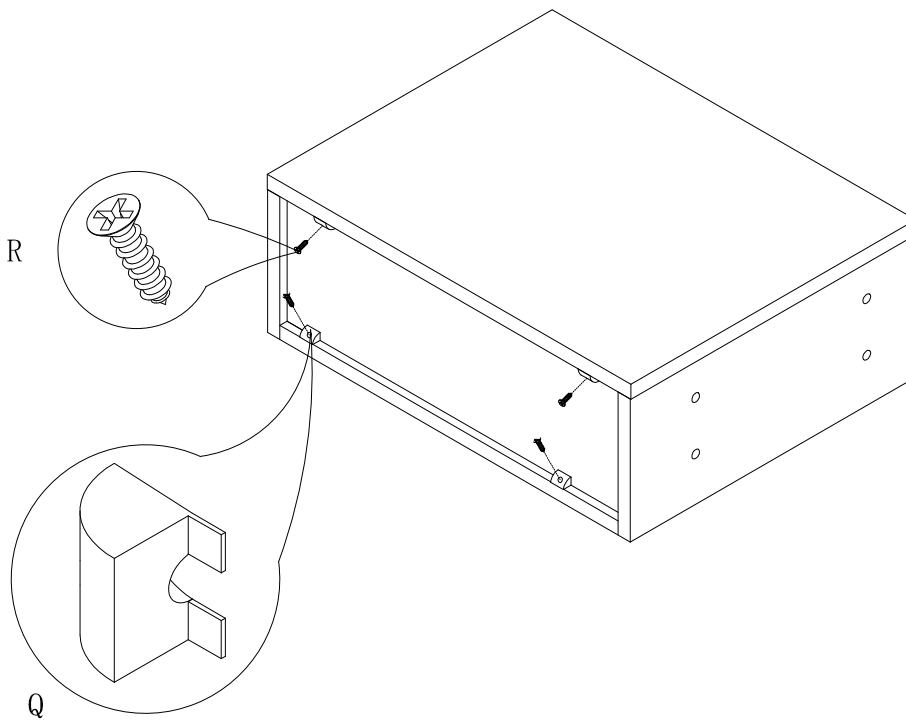
2



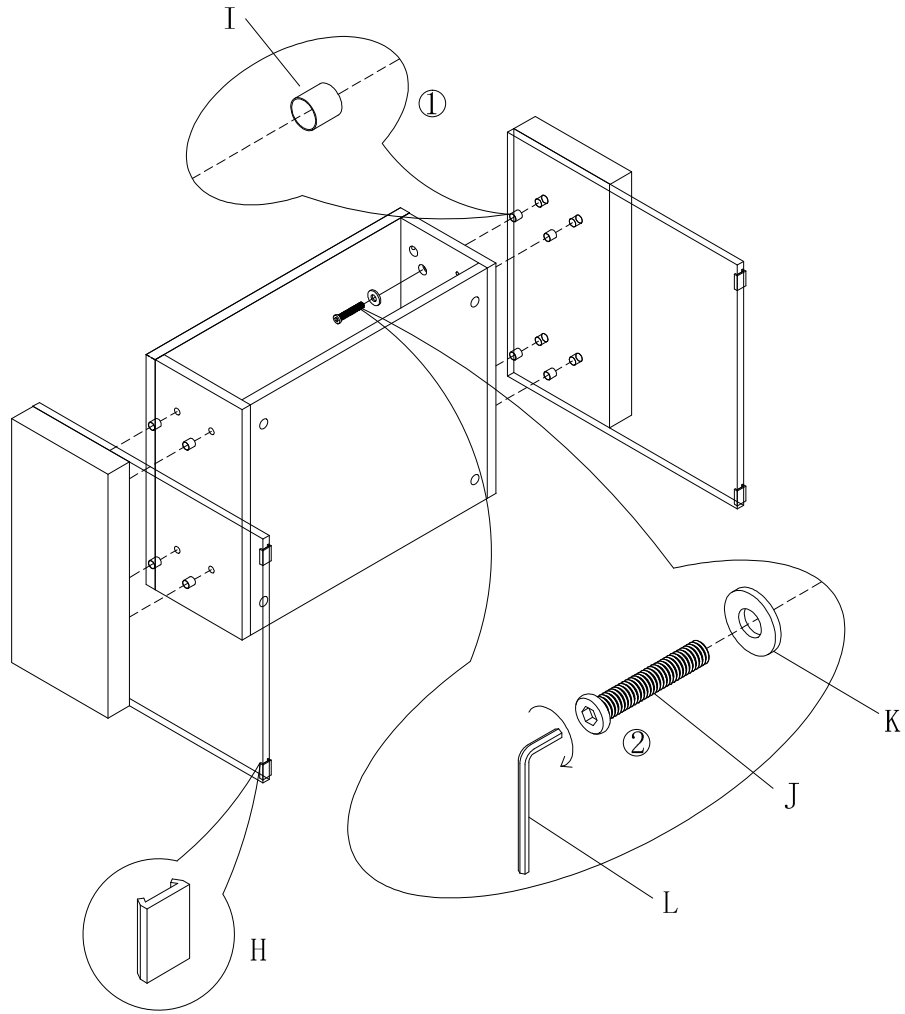


3

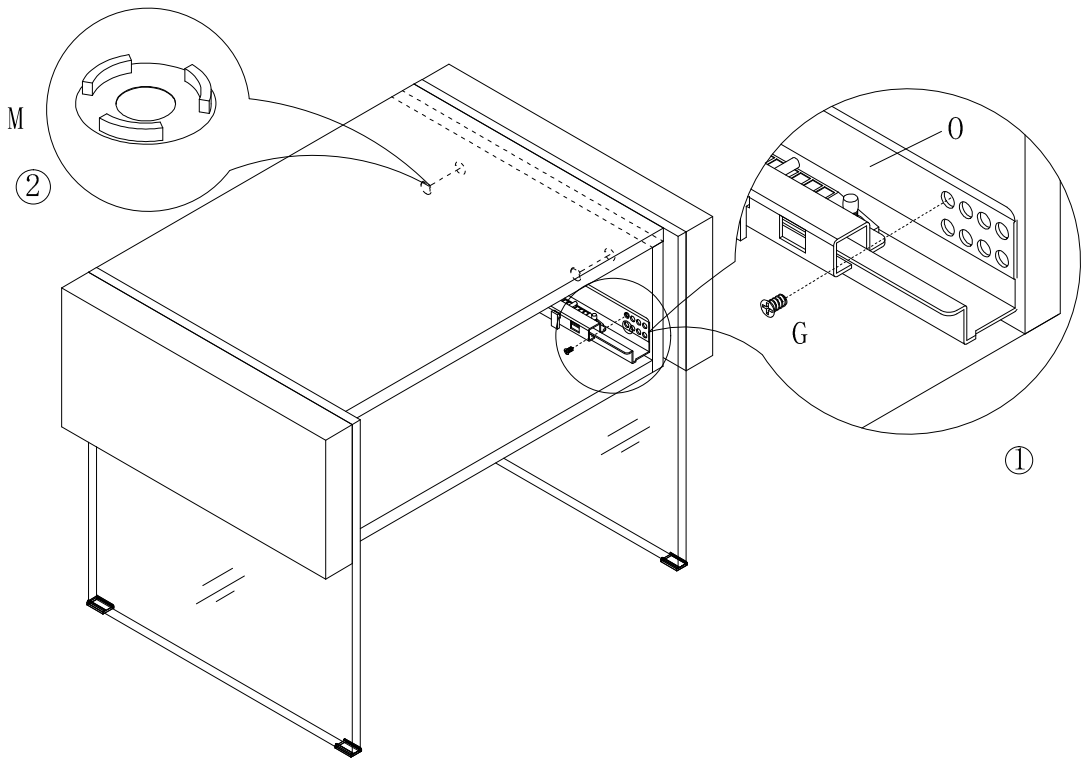
4

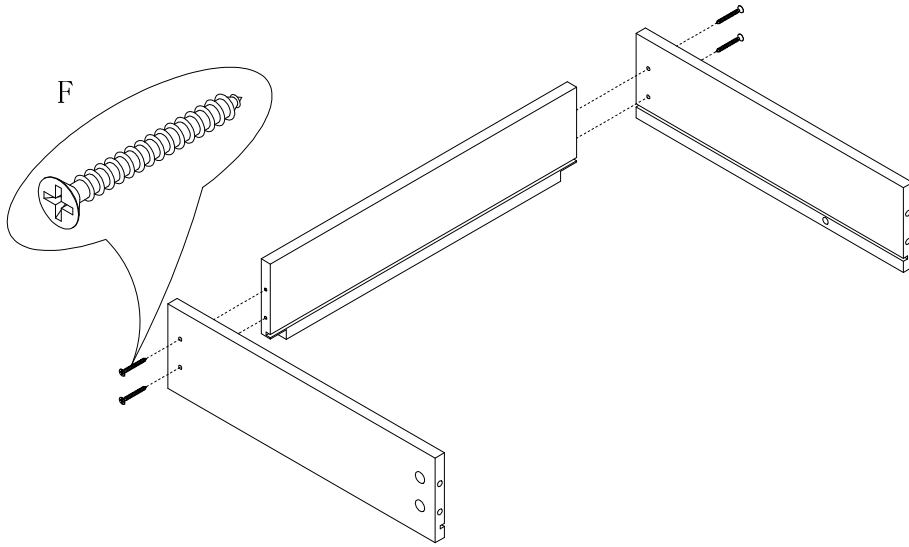


5



6

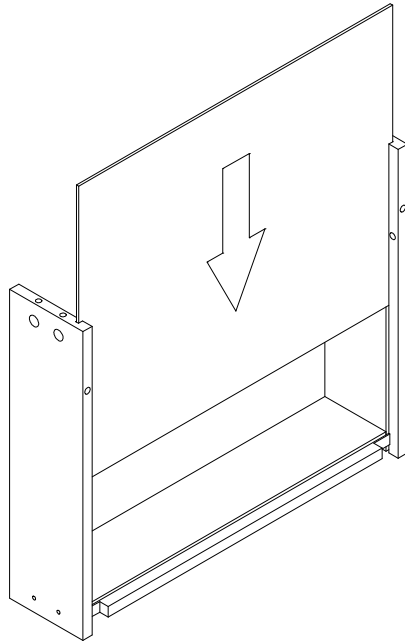


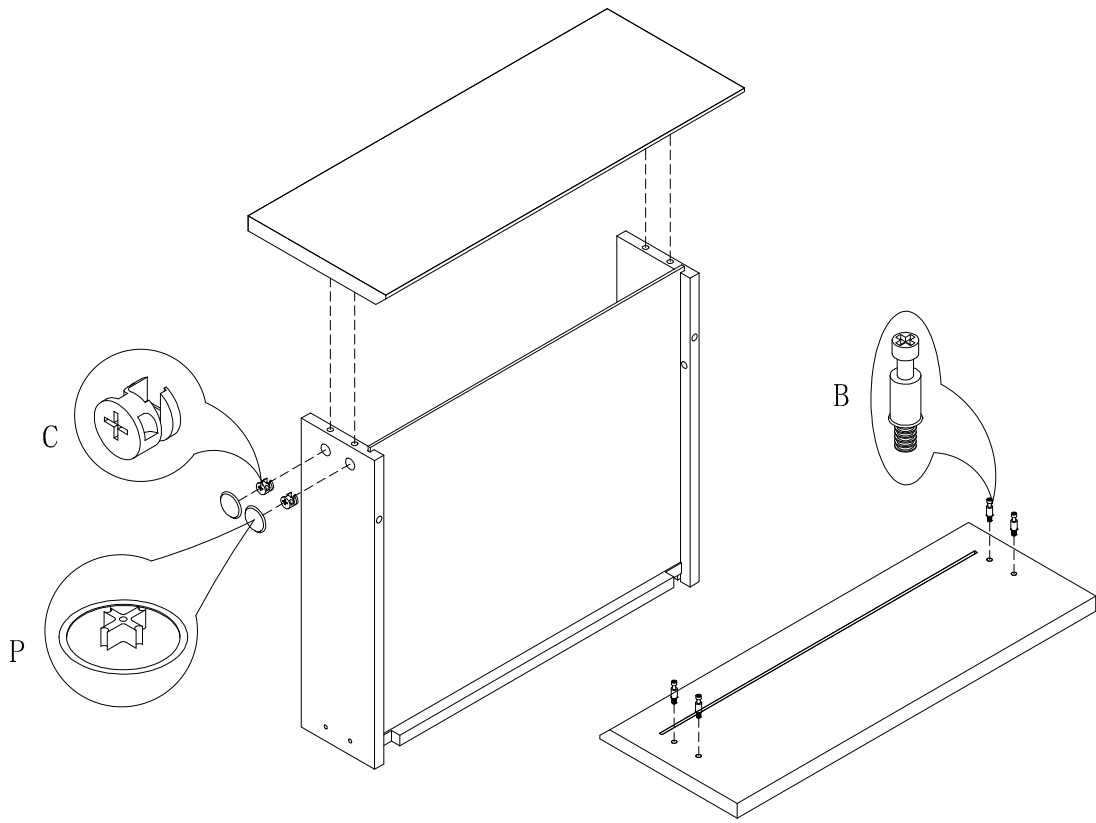


7

---

8





9

10

