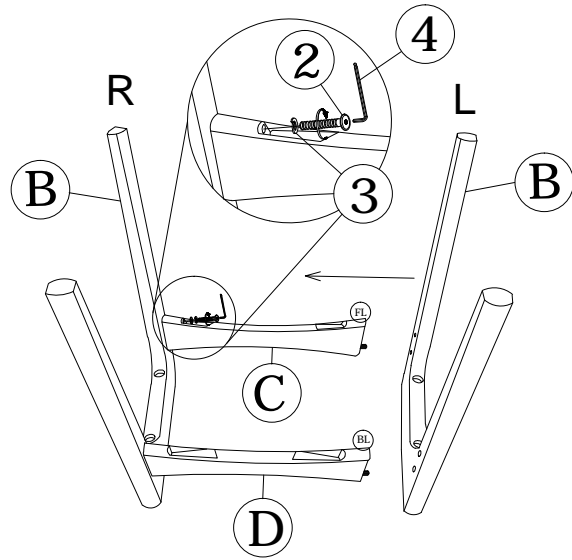
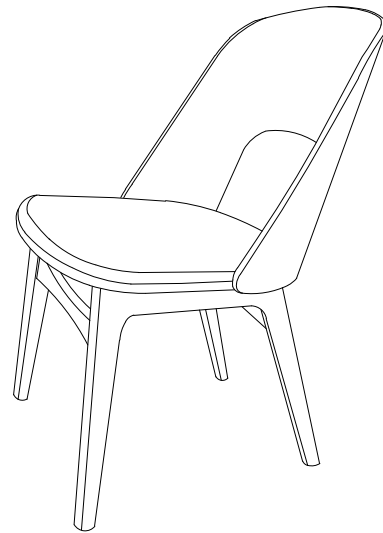
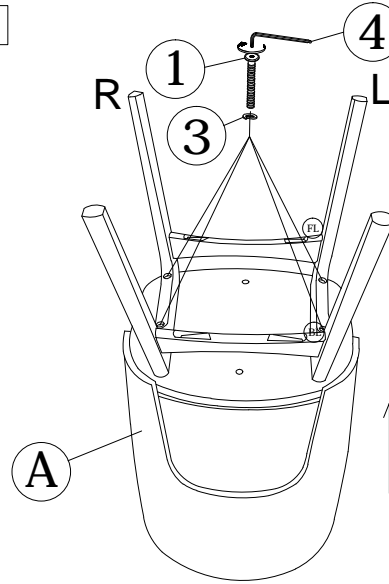


ASSEMBLY INSTRUCTION

STEP 1



STEP 2



COMPLETED CHAIR ASSEMBLY

DINING CHAIR

Read instruction carefully. Remove all wrapping material, staples and straps from the carton. See Hardware and Furniture Parts List for guidance. Be sure you have all parts before you start assembling. Place all wooden furniture parts of a clean and flat soft surface, such as car-pet or rug to prevent from being scratched.

CAUTION :

KEEP ALL HARDWARE PARTS OUT OF REACH OF CHILDREN.

HARDWARE LIST			
ITEM	DESCRIPTION		QTY
1	JCBC BOLT M6 X 70MM (RB)		4 PCS
2	JCBC BOLT M6 X 50MM (RB)		4 PCS
3	SPRING WASHER 5/16" (RB)		8 PCS
4	ALLEN KEY M4 (BALL SHAPE)		1 PC

PART LIST		
ITEM	DESCRIPTION	QTY
A	CHAIR FRAME	1 PC
B	CHAIR LEG (L&R)	2 PCS
C	FRONT RAIL (LONG)	1 PC
D	BACK RAIL (SMALL)	1 PC