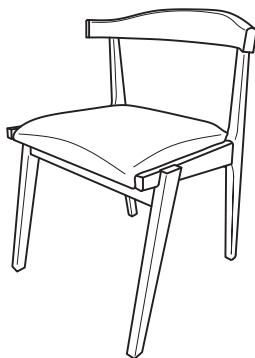


## CODING

- 241530
- 241531



ISO 9001:2015  
Reg. No. 000435-1-MY-1-QMS

Read the instructions carefully. Remove all the wrappings , staples and straps from the carton. Refer to the hardware and furniture part list for guidance. Make sure that you have all the parts before you start assembling. Place all the wooden furniture parts on a clean, flat and soft surface, such as a carpet or rubbermat to prevent scratches.

## CAUTION

KEEP ALL THE PARTS OUT OF CHILDREN'S REACH.

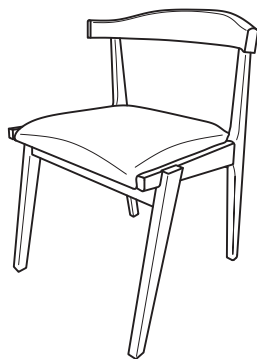
ITEM	PHOTO	HARDWARE NAME	QTY
(A)		JCBC SCREW M6 x 50MM	4
(B)		JCBC SCREW M6 x 25MM	4
(C)		SPRING WASHER 1/4"	8
(D)		CSK SCREW M4 X 32MM	6
(E)		NYLON WASHER 15 X 15 X 6MM	4
(F)		WOOD DOWEL Ø8 x 30MM	2
(G)		M4 ALLEN KEY LONG (BALL SHAPE)	1

ITEM	PHOTO	PARTS NAME	QTY
(1)		BACK REST	1
(2)		SIDE RAILS - L & R	2
(3)		FRONT LEG	1
(4)		CUSHION SEAT	1

CODING

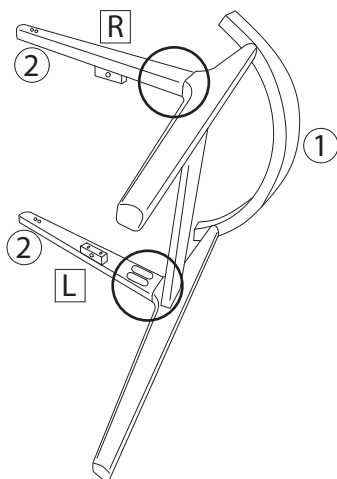
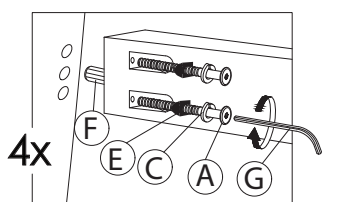
- 241530

- 241531

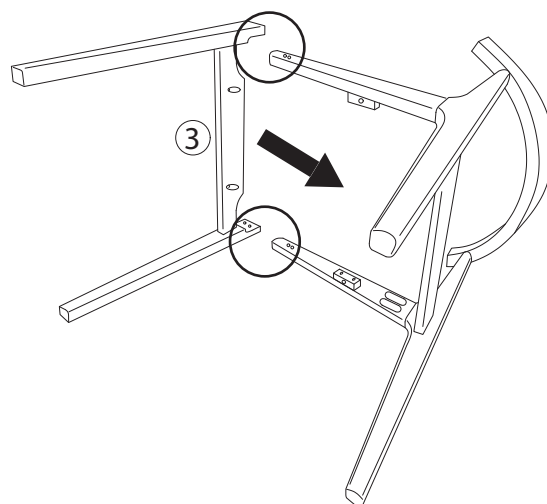
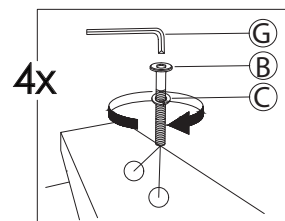


ISO 9001:2015  
Reg. No. 000435-1-MY-1-QMS

1



2



3

