

## CODING

- 143020
- 143018
- 143017
- 143019




ISO 9001:2015  
Reg. No. 000435-1-MY-1-QMS

Read the instructions carefully. Remove all the wrappings, staples and straps from the carton. Refer to the hardware and furniture part list for guidance. Make sure that you have all the parts before you start assembling. Place all the wooden furniture parts on a clean, flat and soft surface, such as a carpet or rubbermat to prevent scratches.

## CAUTION

KEEP ALL THE PARTS OUT OF CHILDREN'S REACH.

NO	PHOTO	HARDWARE LIST	QTY
(A)		JCBC SCREW	8 PCS
(B)		FLAT WASHER	8 PCS
(C)		ALLEN KEY	1 PC

ITEM	PHOTO	PART LIST	QTY
(1)		TABLE TOP	1 PC
(2)		TABLE LEG	4 PCS

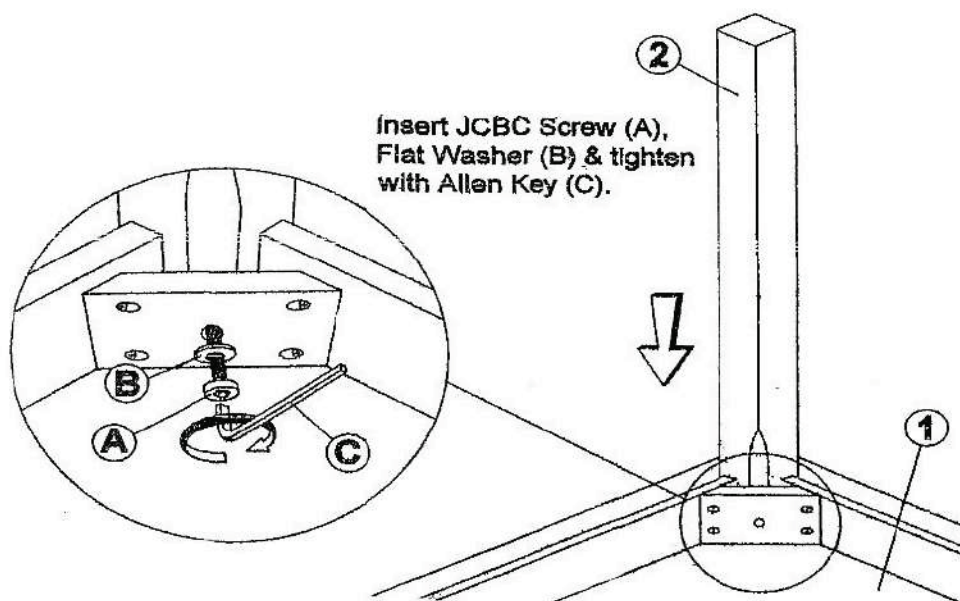
## CODING

- 143020
- 143018
- 143017
- 143019



ISO 9001:2015  
Reg. No. 000435-1-MY-1-QMS

1



Insert JCBC Screw (A),  
Flat Washer (B) & tighten  
with Allen Key (C).

2

