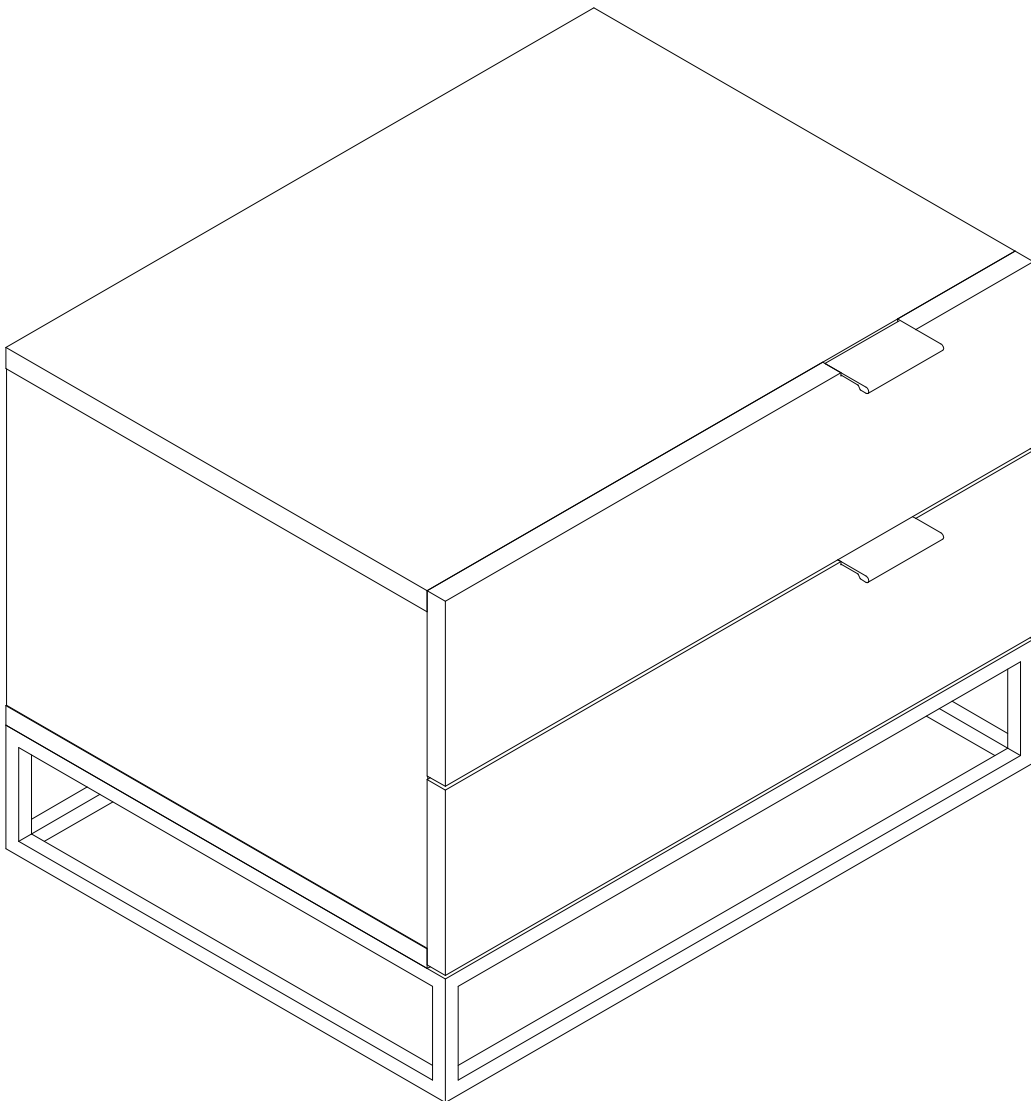
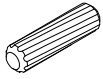
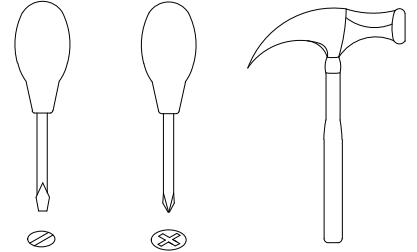
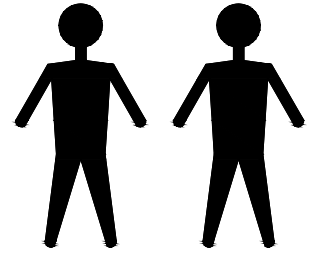


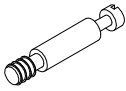
CP1406H



CP1406H



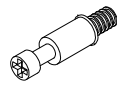
A x8
Spec: $\varnothing 8 \times 30$



B x8
Spec: $\varnothing 7 \times L30$



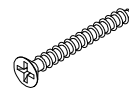
C x8
Spec: $\varnothing 15 \times H12$



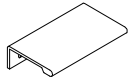
D x8
Spec: $\varnothing 6 \times L28$



E x8
Spec: $\varnothing 12 \times H9$



F x8
Spec: $\varnothing 3.5 \times L32$



G x2
Spec:



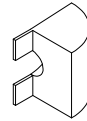
H x12
Spec: $\varnothing 6 \times L9$



I x2
Spec: L350



J x6
Spec: $\varnothing 3.5 \times L16$



K x6
Spec: H13



L x10
Spec: $3.8 \times L16$



M x1
Spec: 10g



N x4
Spec: $\varnothing 3.5 \times L11$



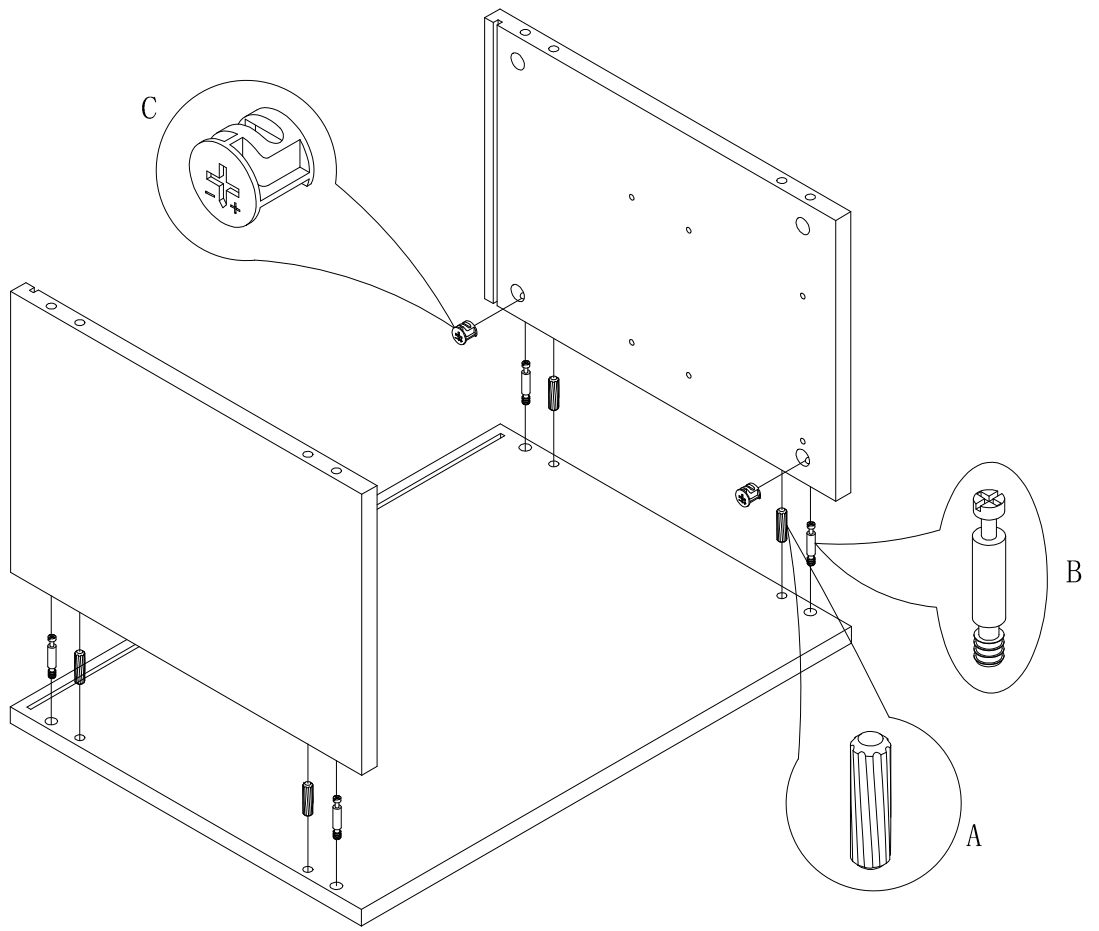
O x8
Spec:



P x8
Spec:

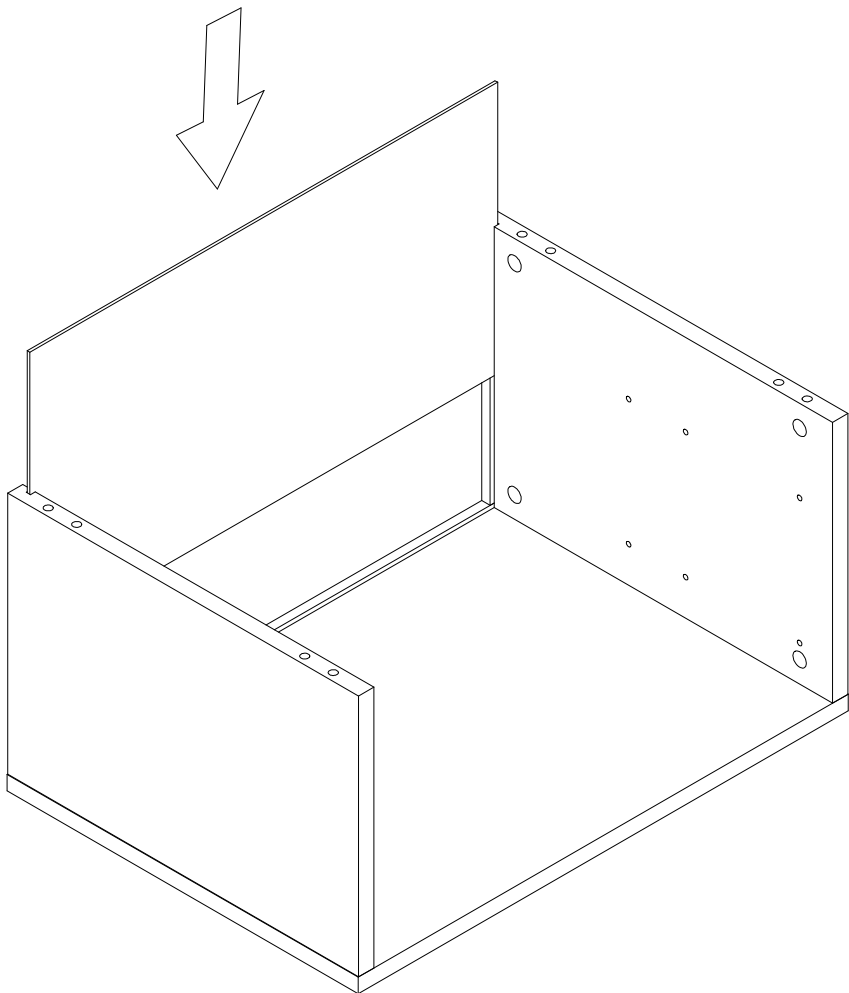


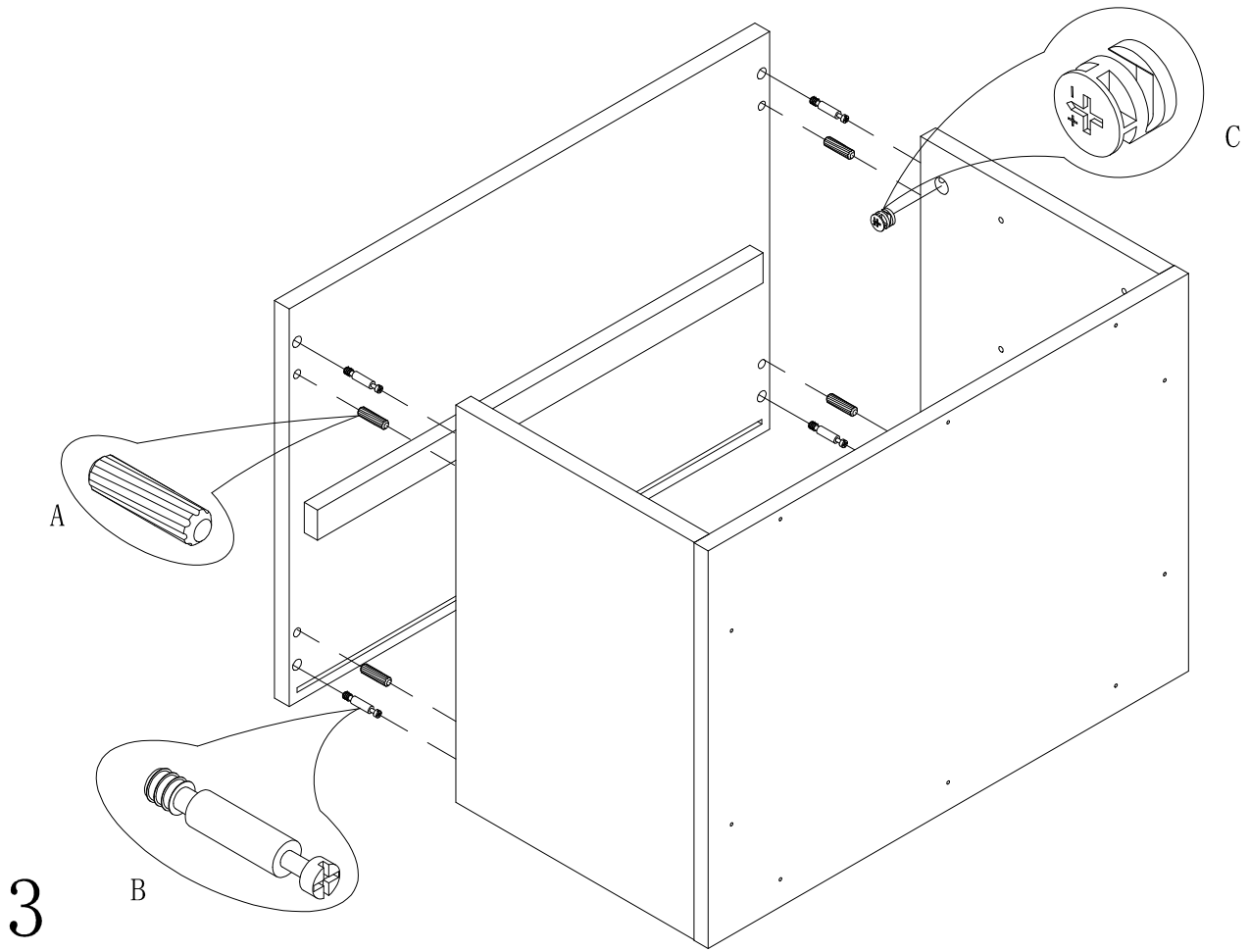
AAA x8
Spec: $\varnothing 3.8 \times L12$



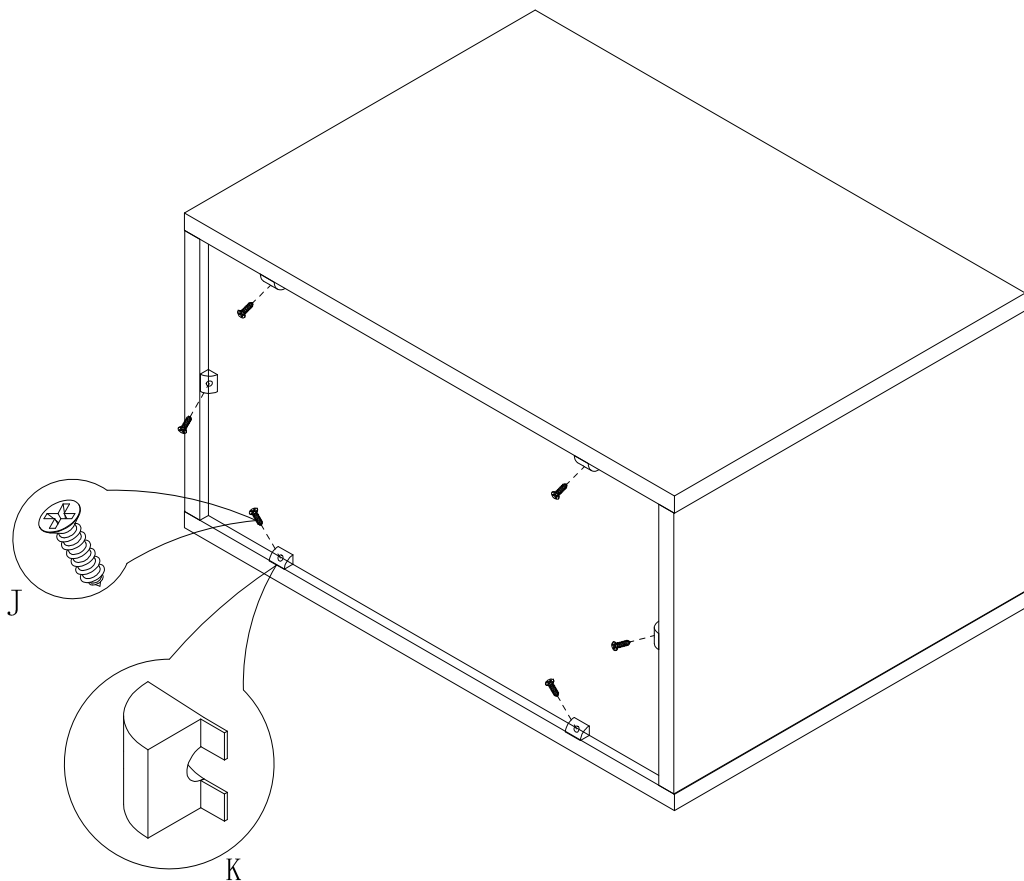
1

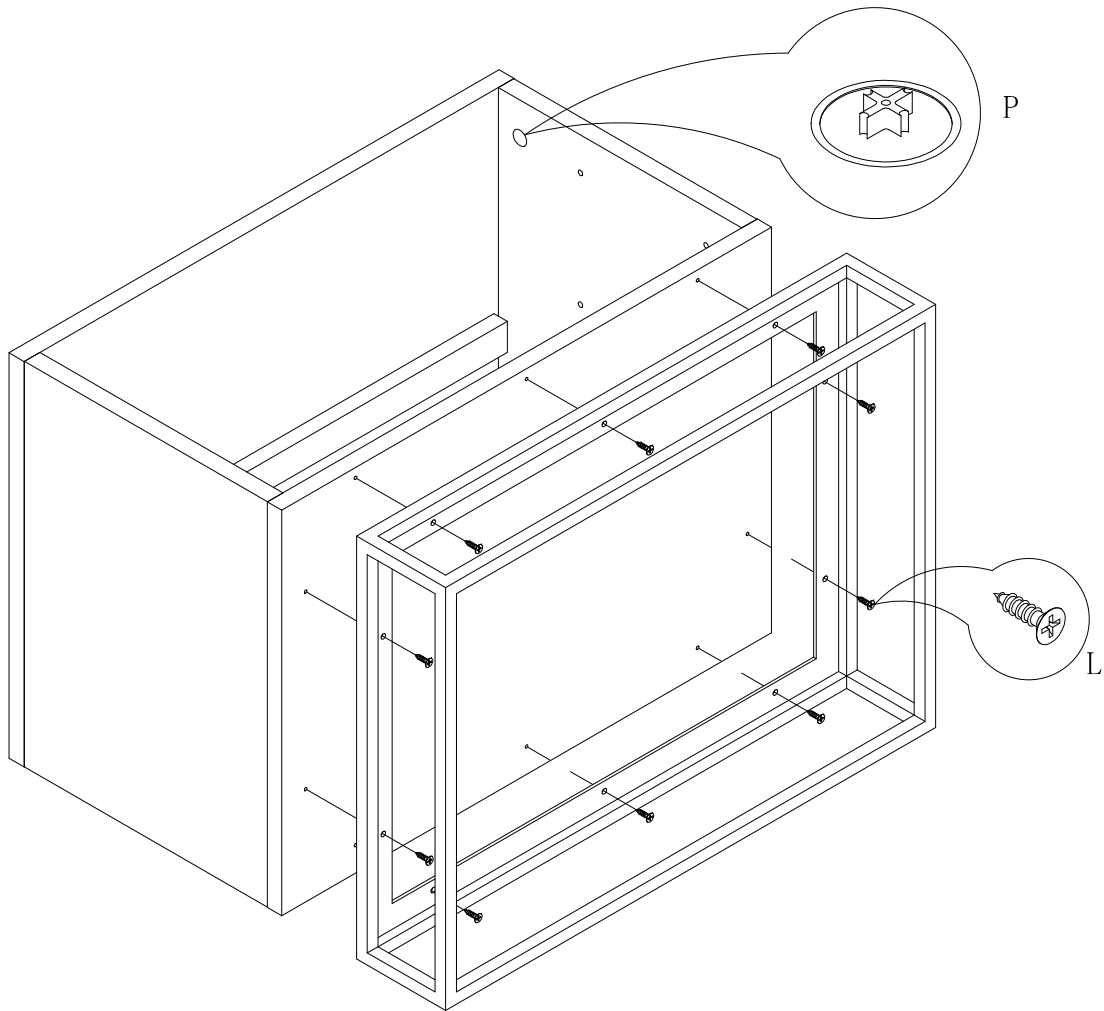
2





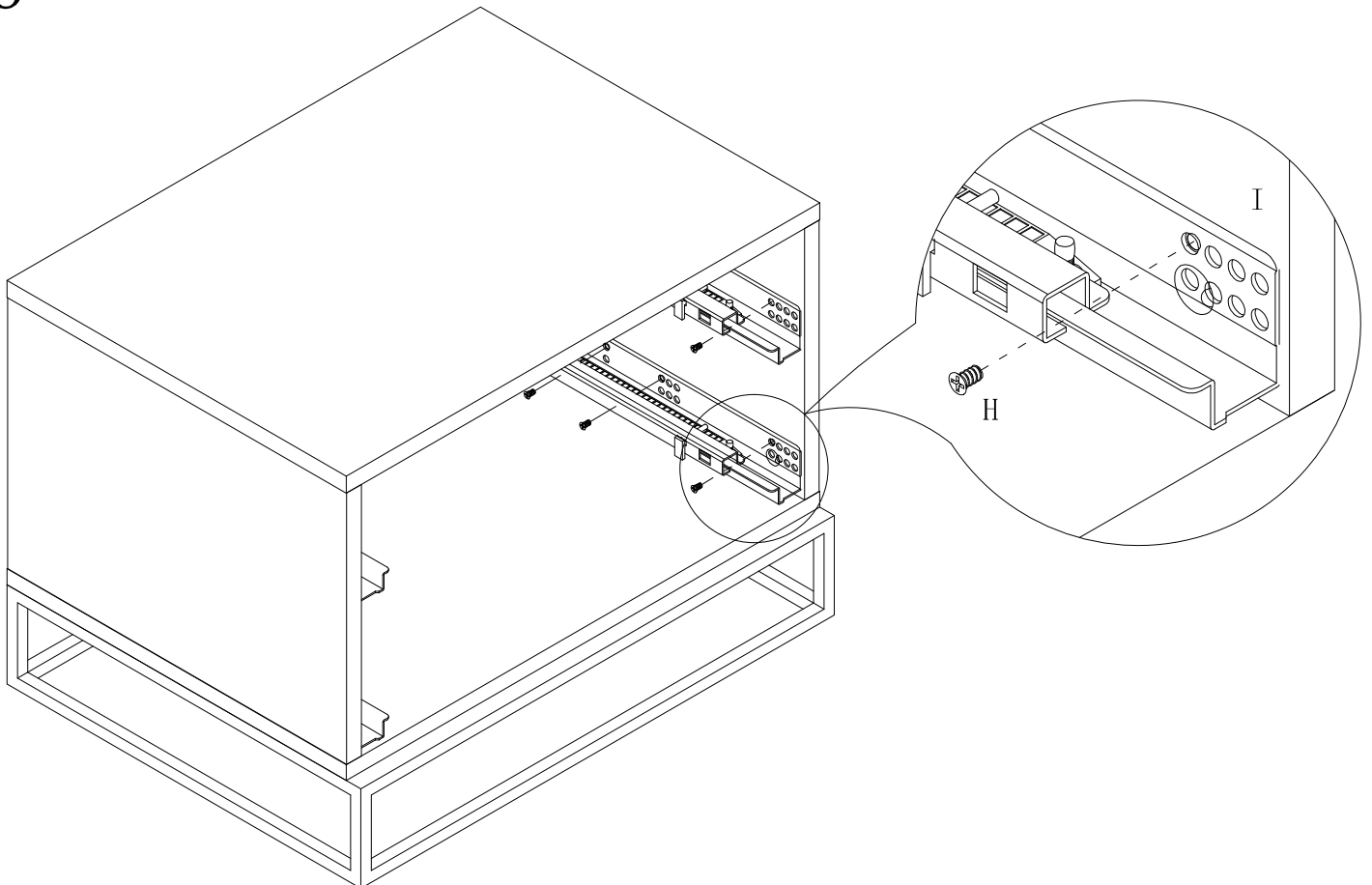
4

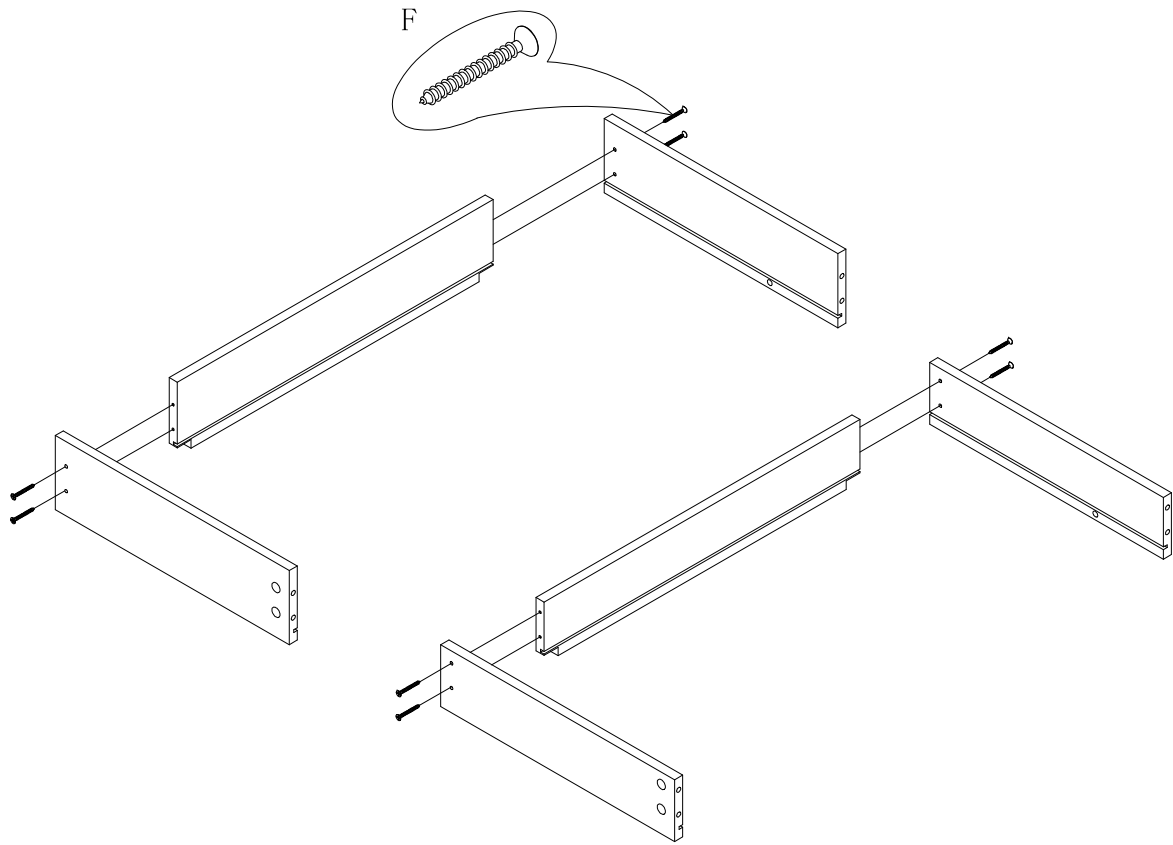




5

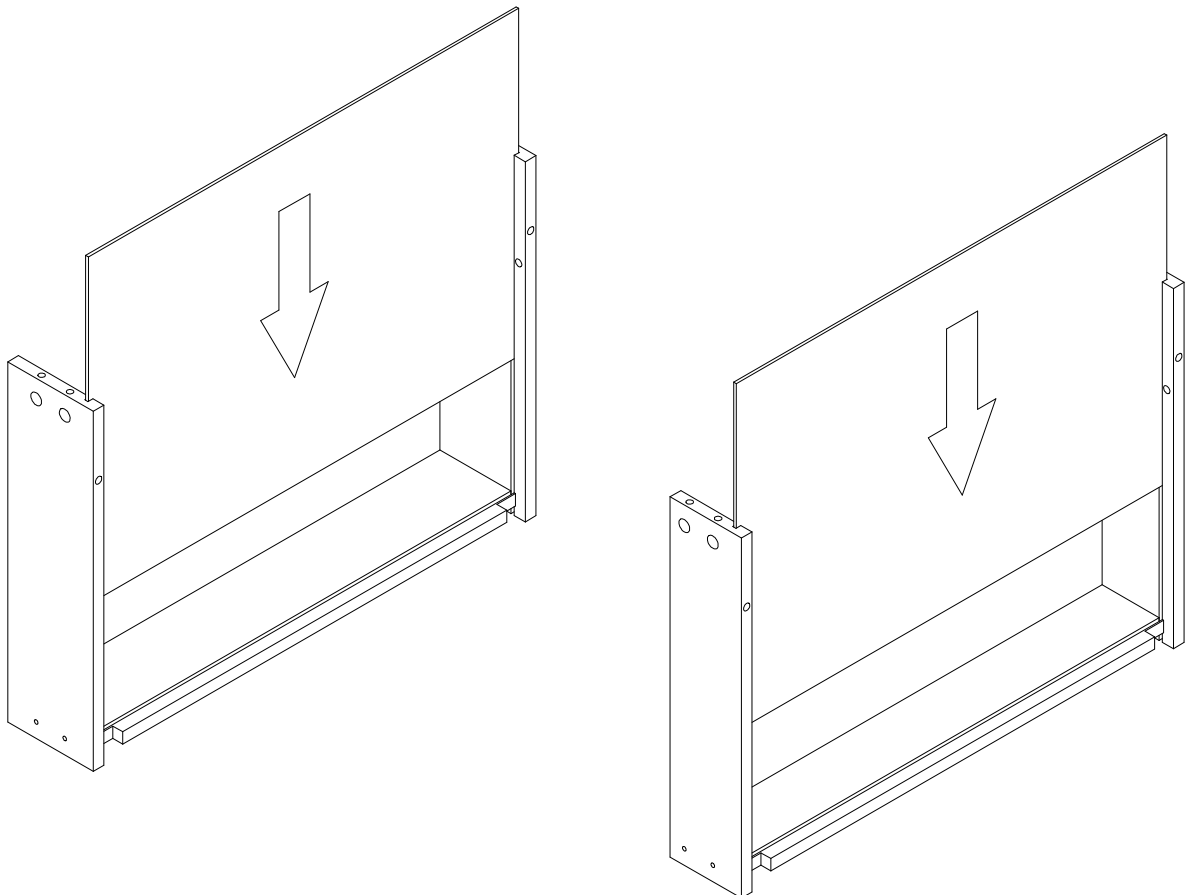
6

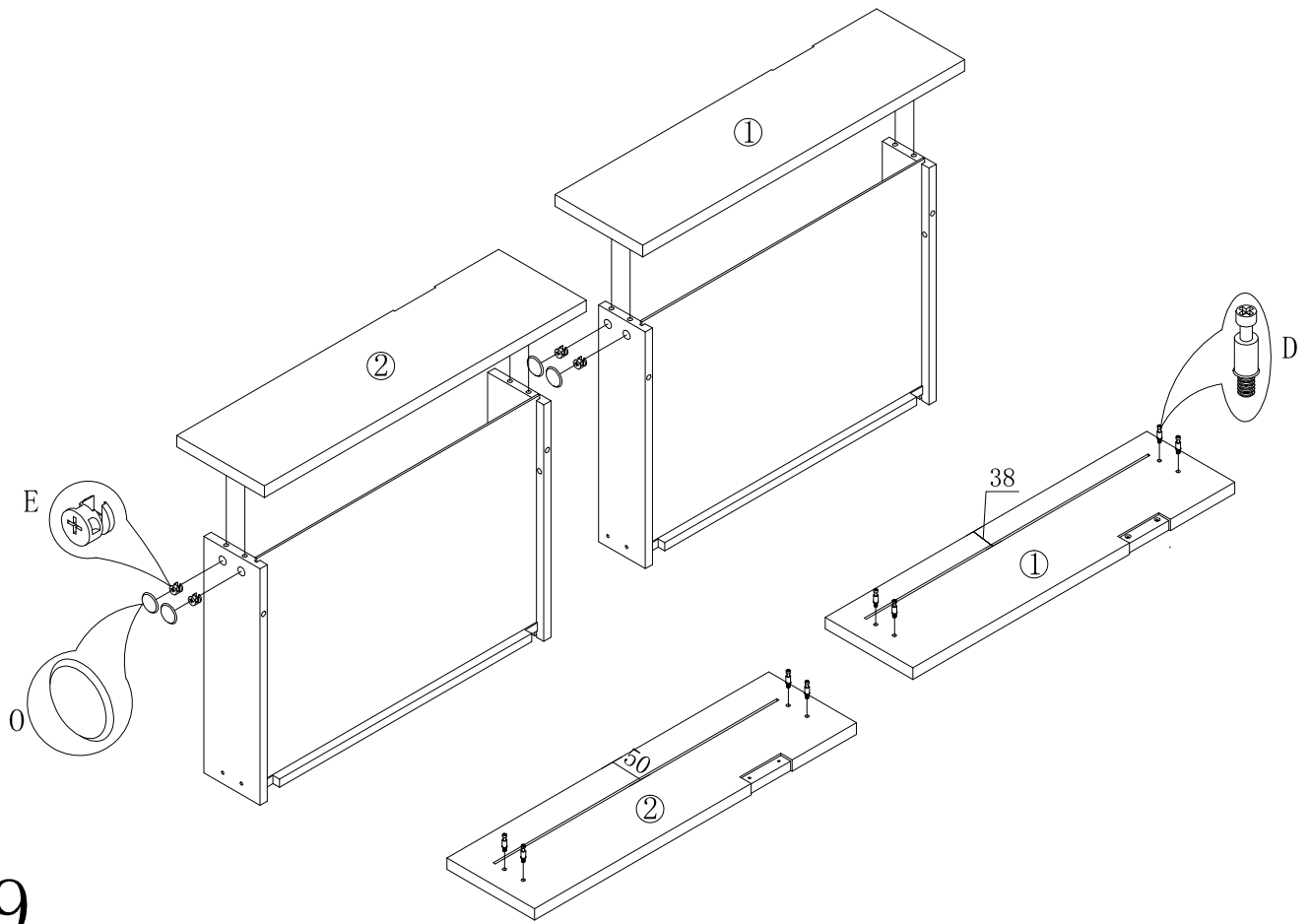




7

8





9

10

