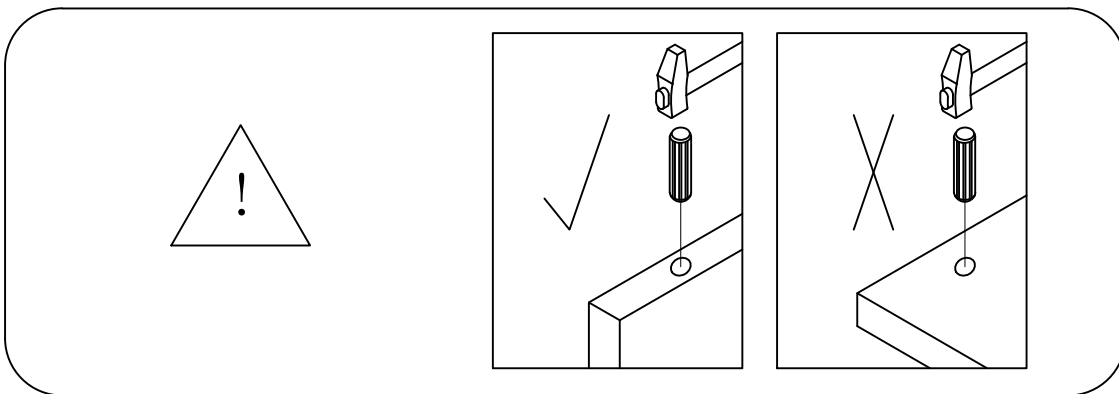
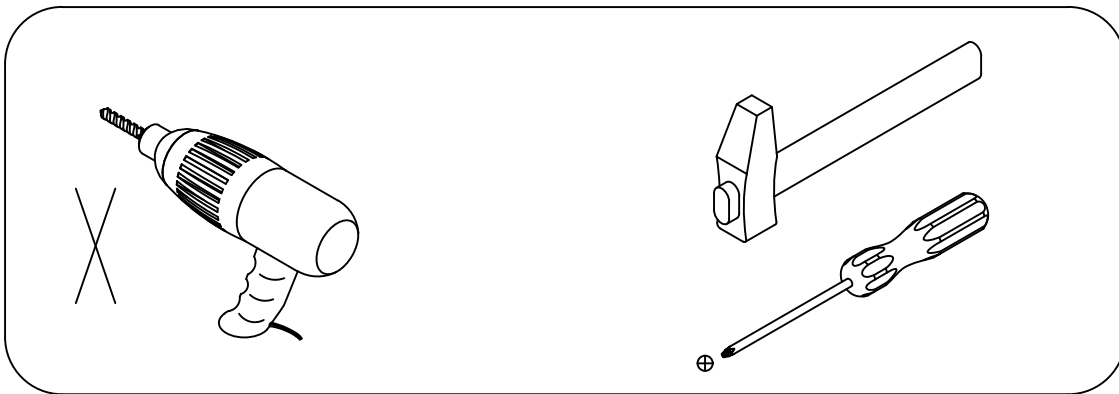
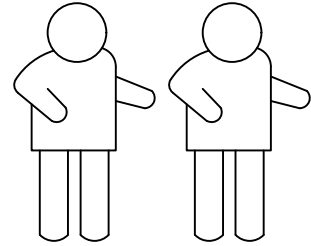
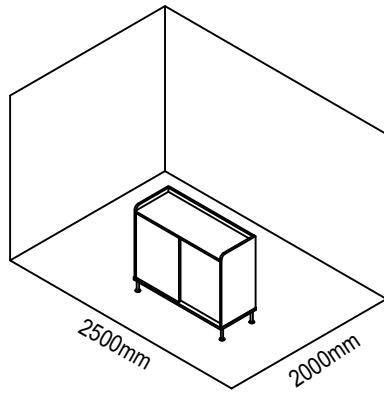
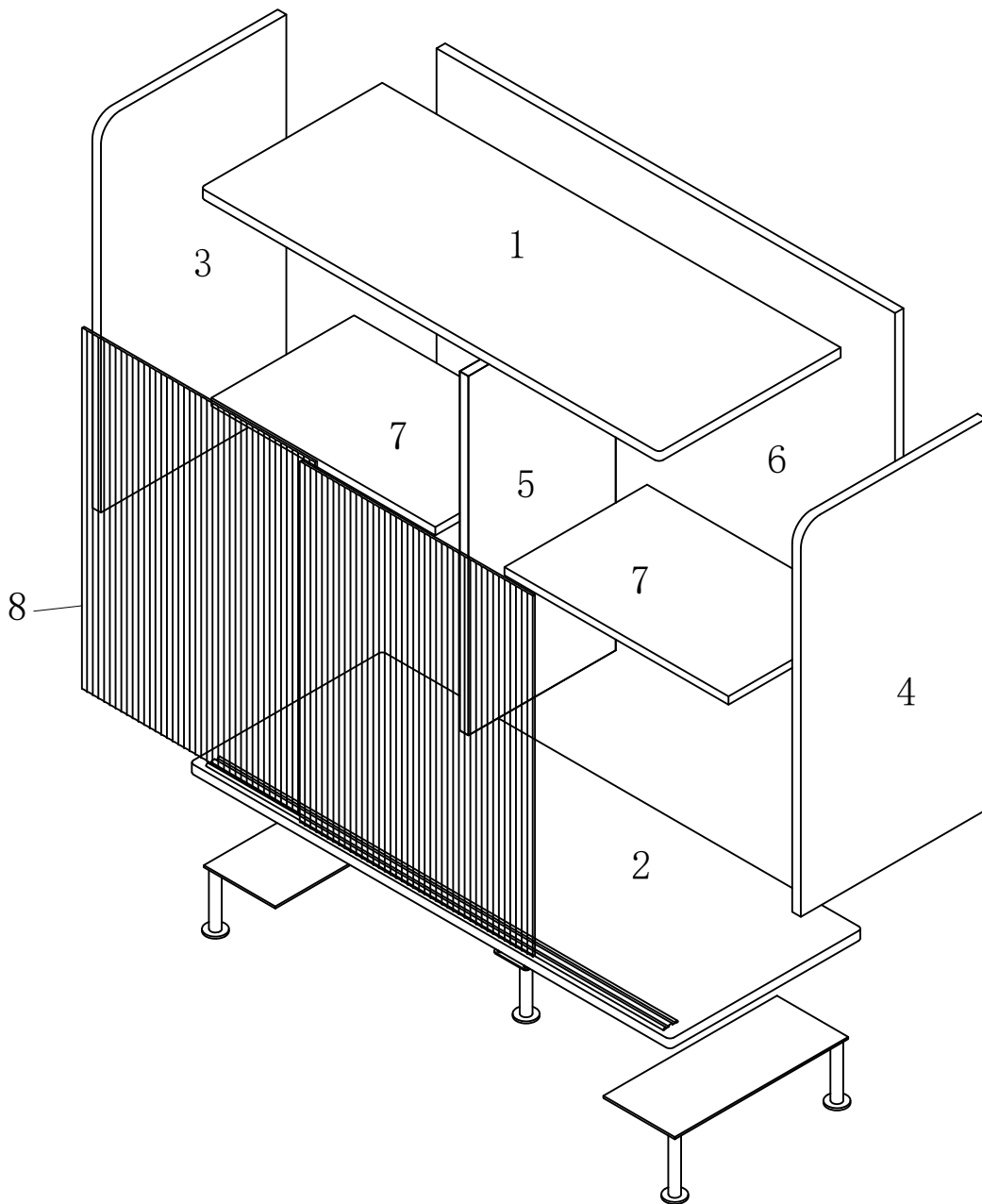

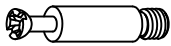

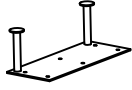


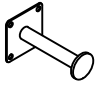
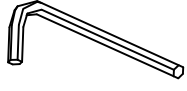
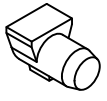


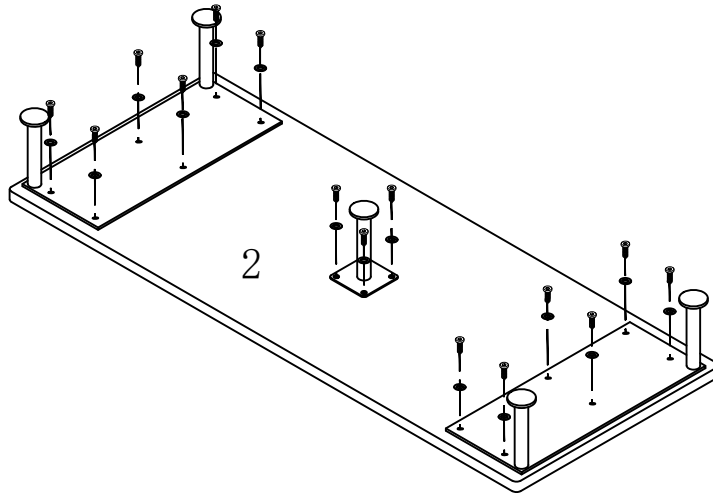
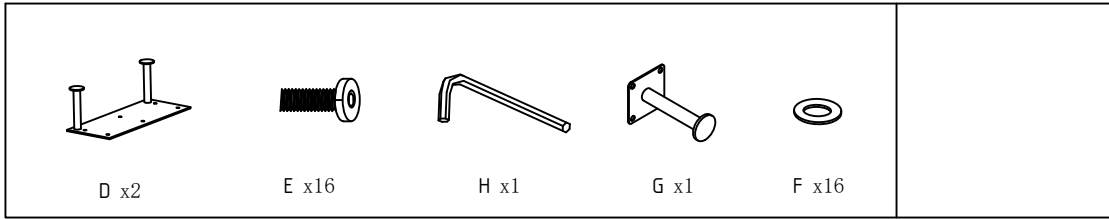
60 min



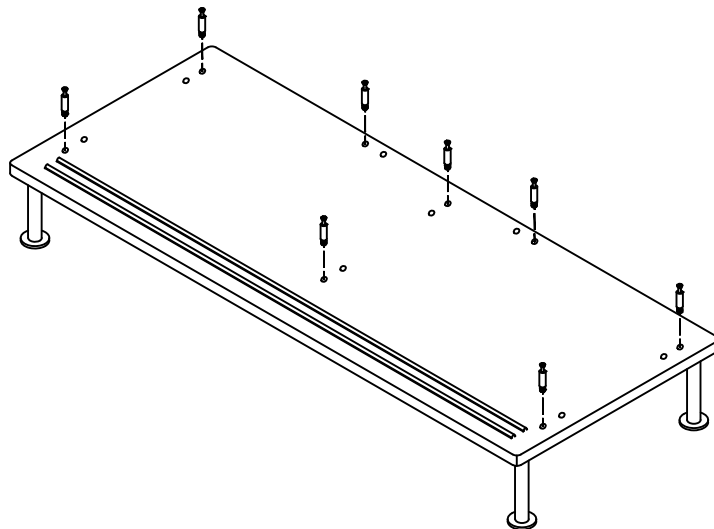


 <p>A x22</p>	 <p>B x22</p>	 <p>C x20</p>	 <p>120MM D x2</p>
 <p>M6*15 E x16</p>	 <p>M6 F x16</p>	 <p>118MM G x1</p>	 <p>M6 H x1</p>
 <p>I x8</p>			

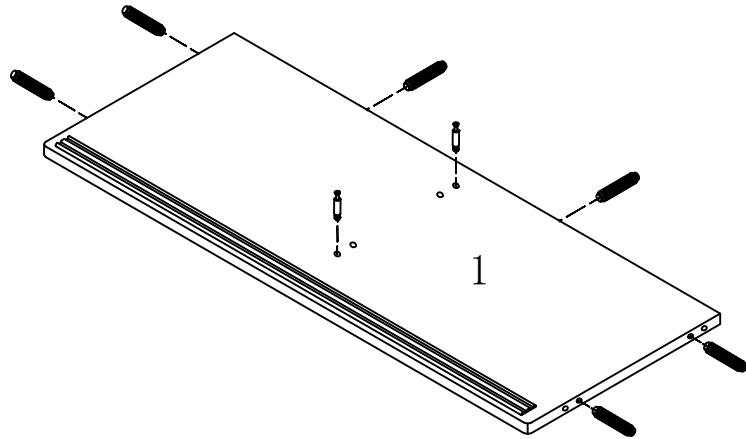
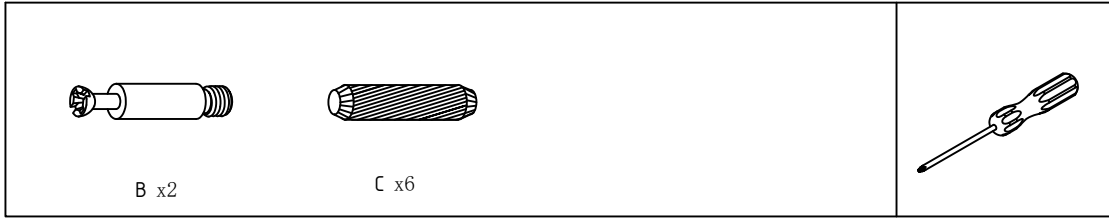
1



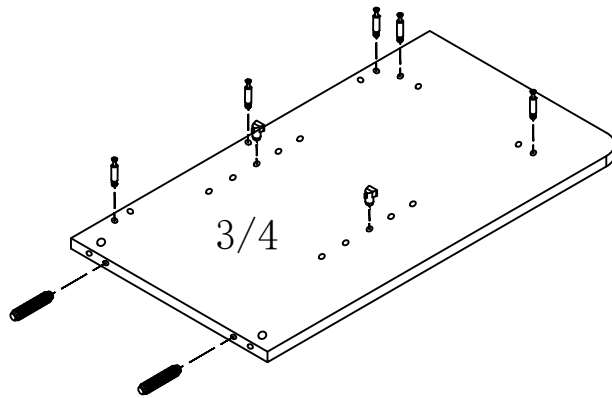
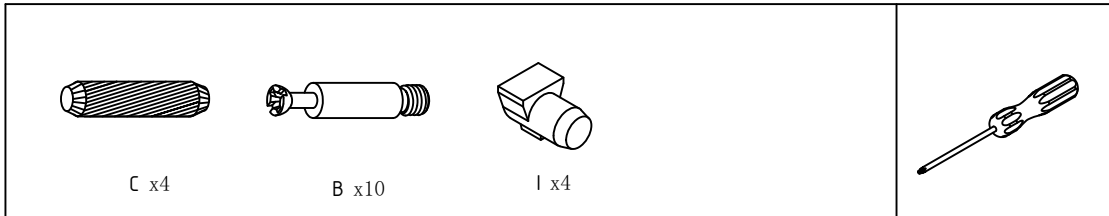
2



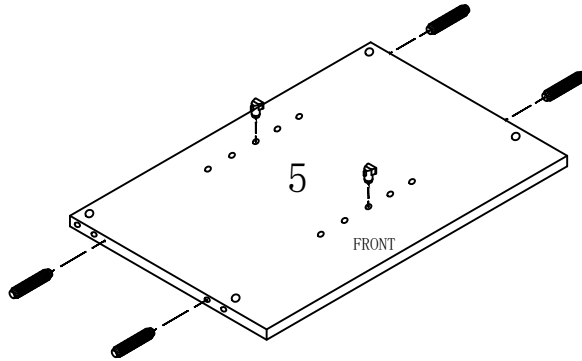
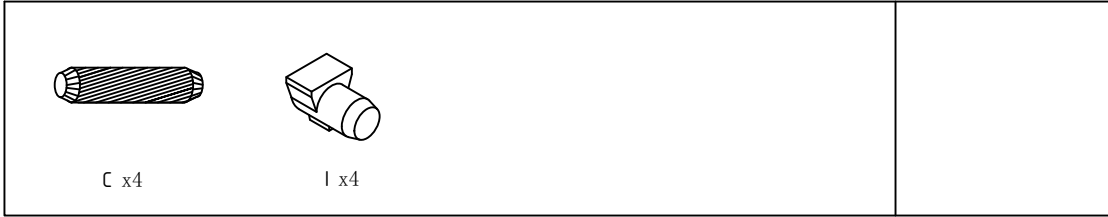
3



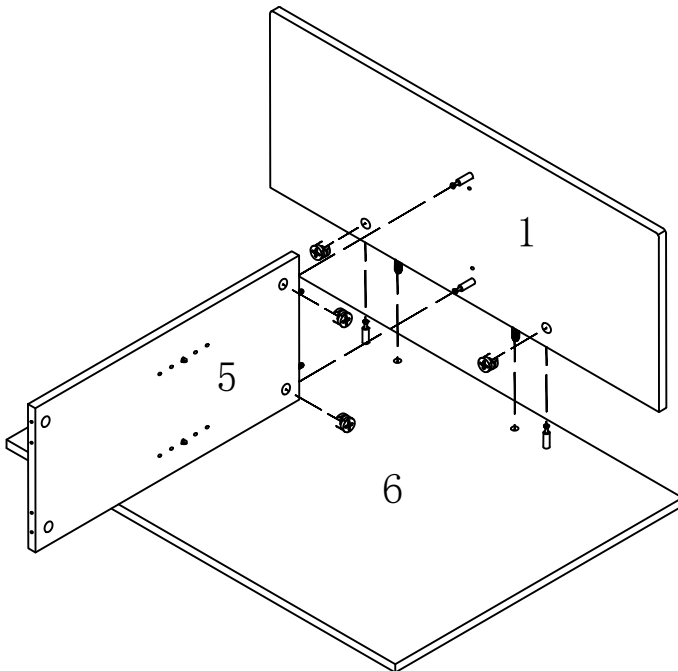
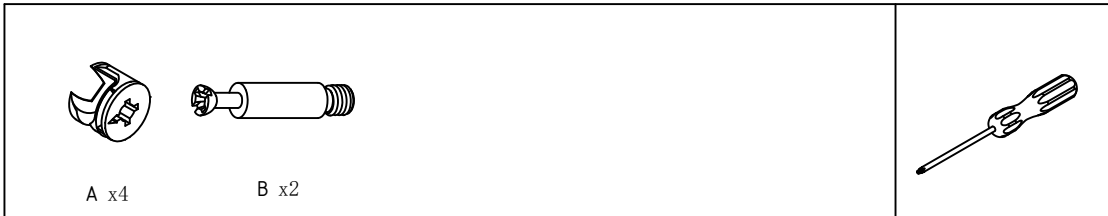
4



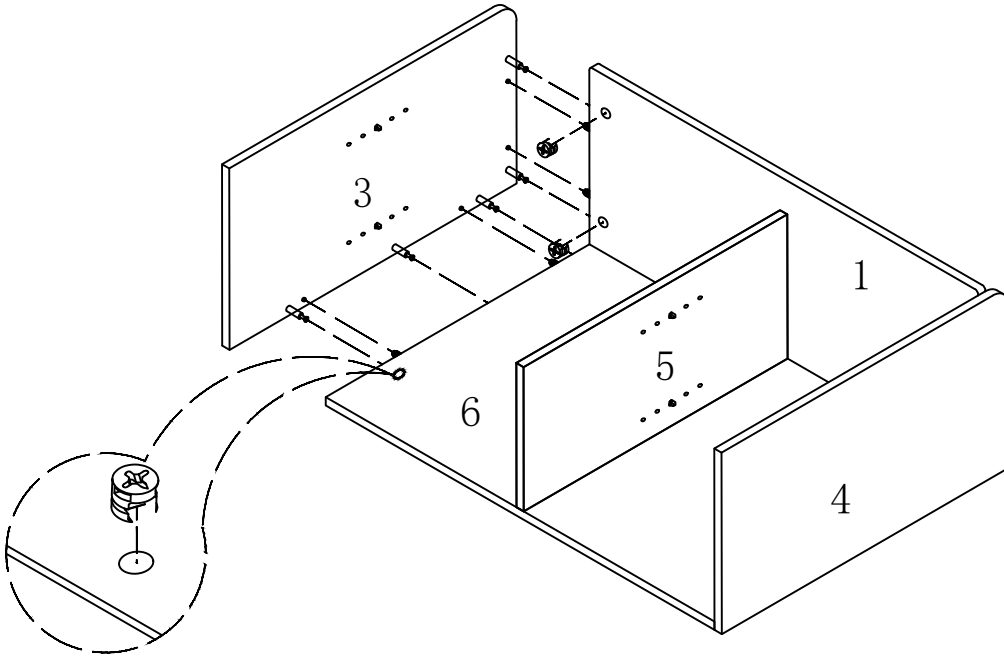
5



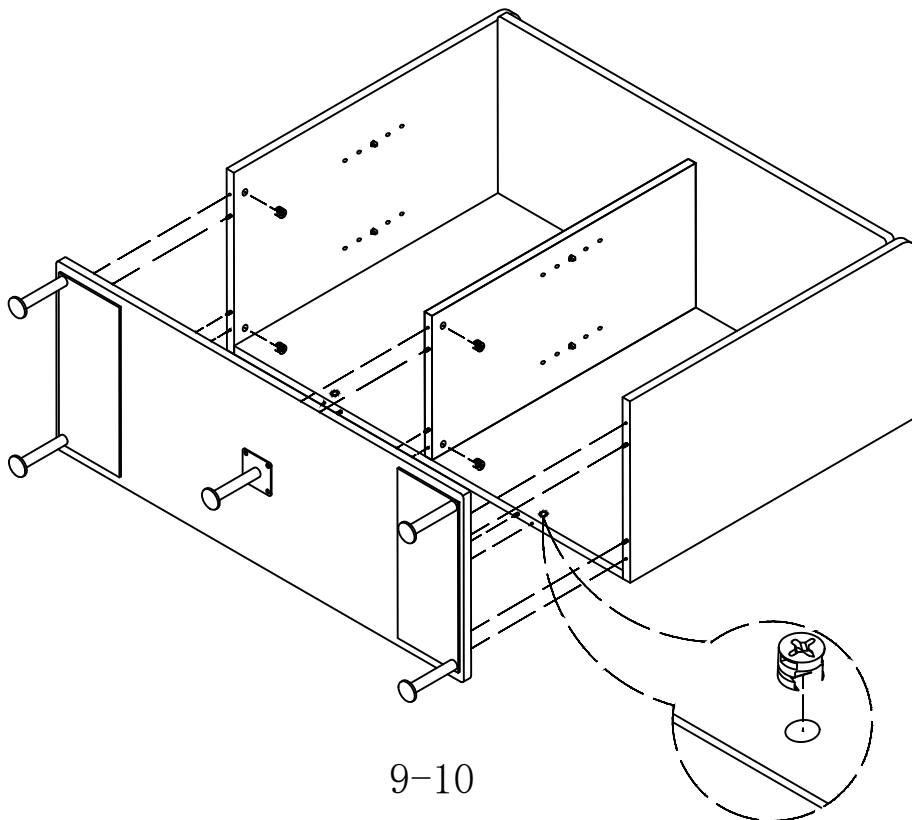
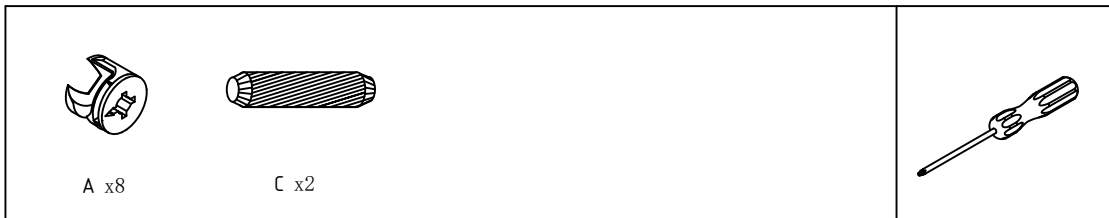
6



7

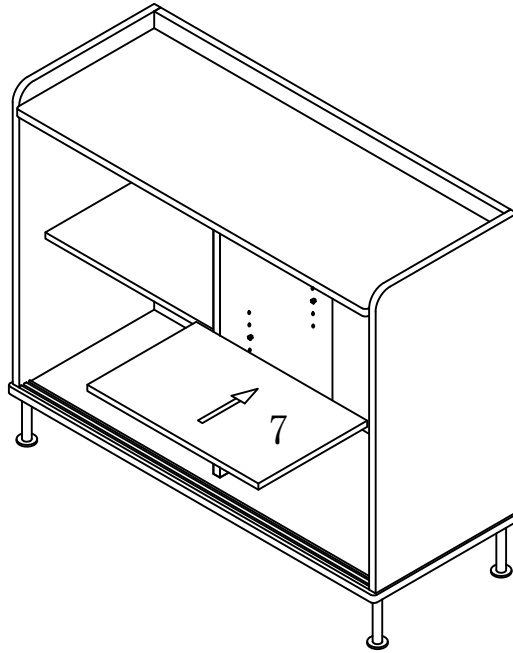


8

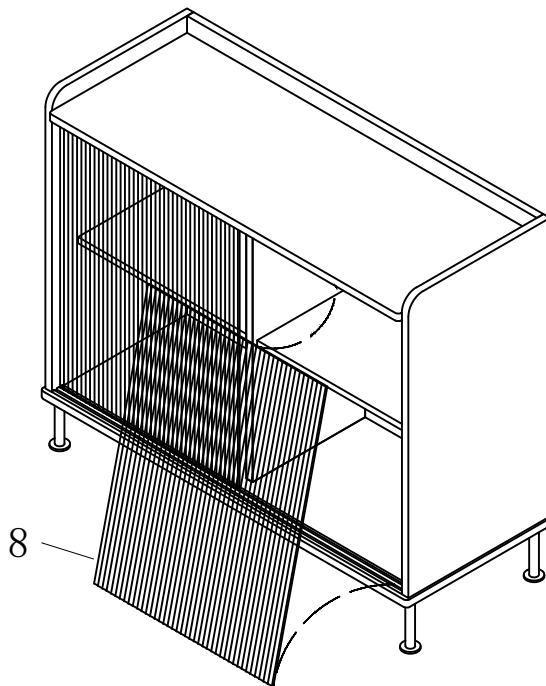
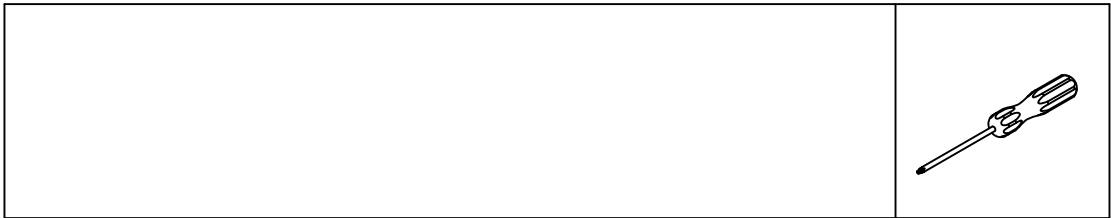


9-10

9



10



10-10