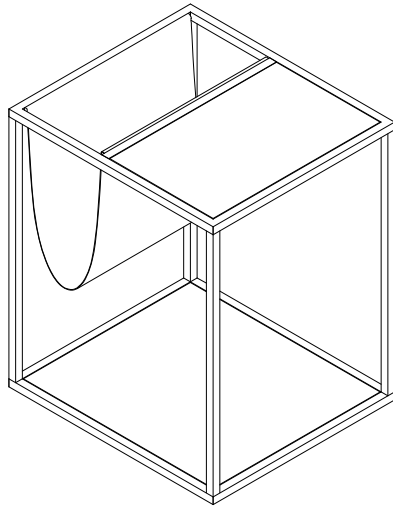
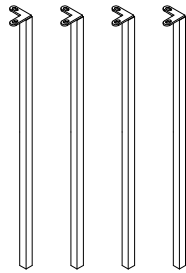
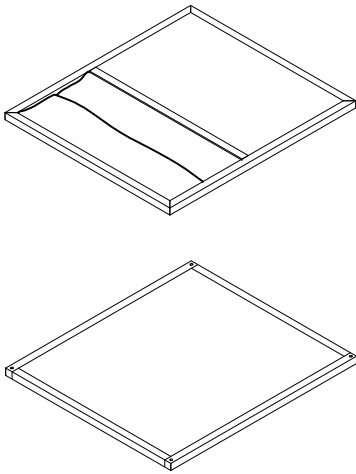


CT - 550 B



Product components



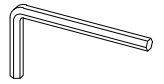
The assembly parts



A: 8x



B: 4x



C: 1x

