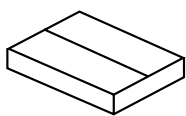
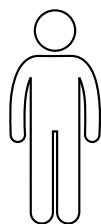




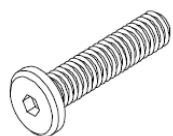
25 min



x2



x2



Ax12 (M6x40)



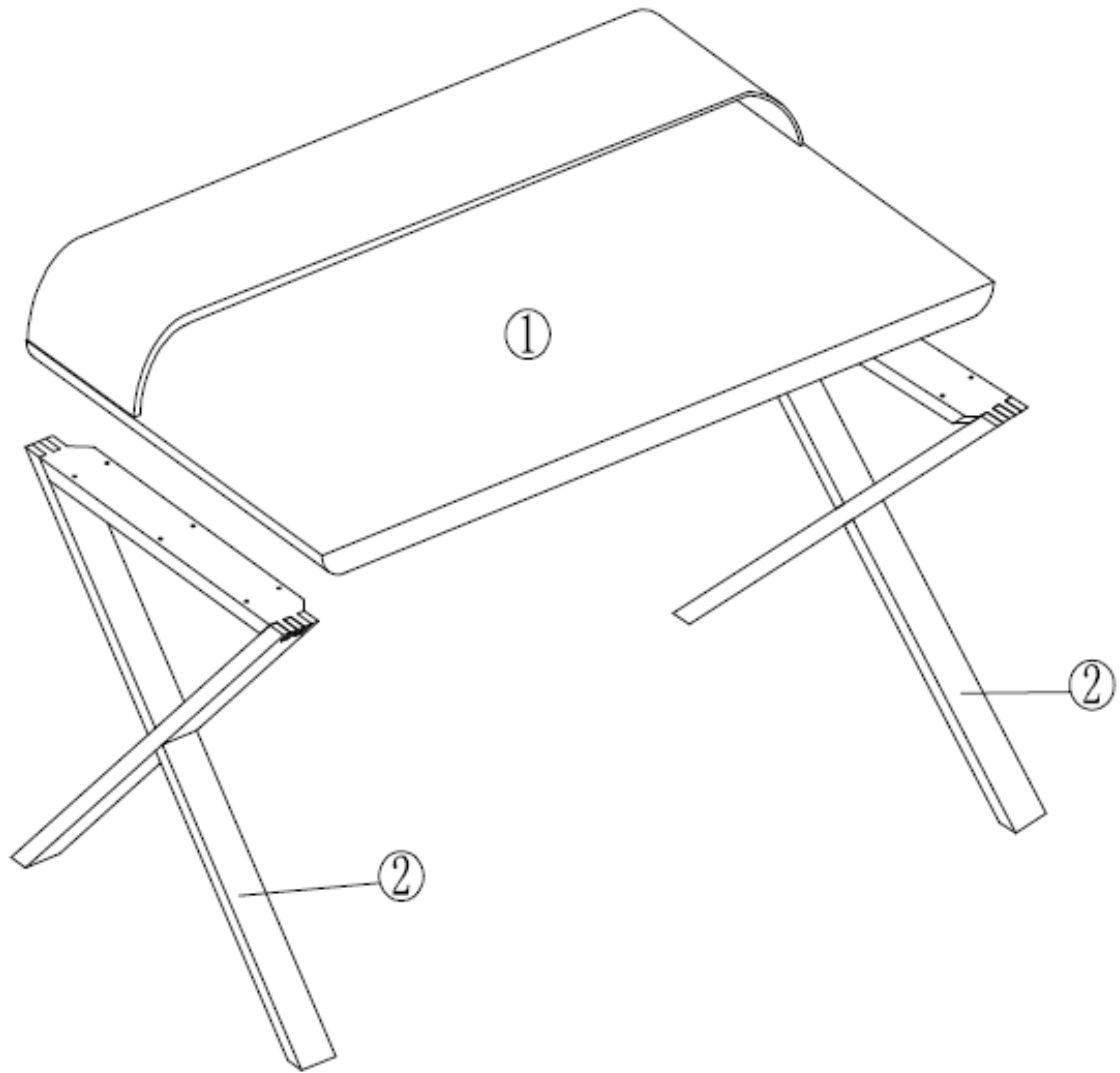
Bx1 (M4)



(1)x1



(2)x2



1

