

## CODING

-1439291

-1439289







ISO 9001:2015  
Reg. No. 000435-1-2017-1-QMS


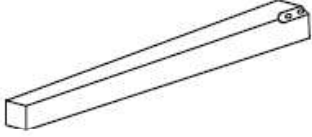
nuhoom.com

Read the instructions carefully. Remove all the wrappings, staples and straps from the carton. Refer to the hardware and furniture part list for guidance. Make sure that you have all the parts before you start assembling. Place all the wooden furniture parts on a clean, flat and soft surface, such as a carpet or rubbermat to prevent scratches.

### CAUTION

KEEP ALL THE PARTS OUT OF CHILDREN'S REACH.

ITEM	HARDWARE LIST	QTY	SPARE QTY
A	JCBB SCREW M8 X 60MM 	8	
B	SPRING WASHER 5/16" 	8	
C	FLAT WASHER 5/16" 	8	
D	ALLEN KEY M5 	1	

ITEM	PART LIST	QTY
1	TABLE 	1
2	LEG 	4

**CODING**

-1439291

-1439289



ISO 9001:2015  
Reg. No. 000435-1-02Y-1-QMS

nuhoom.com

**1**

